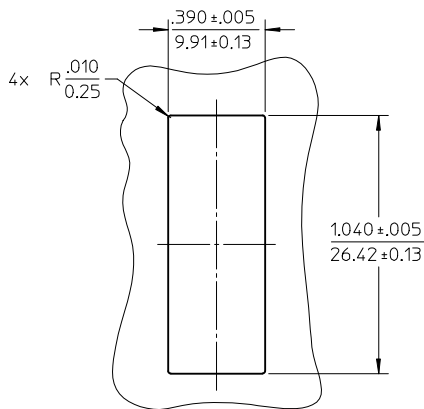
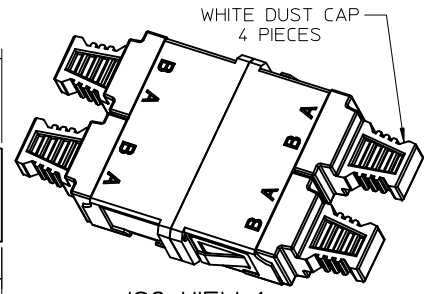
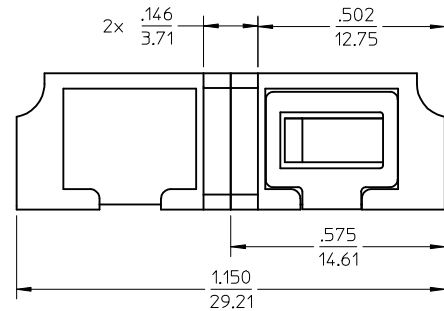
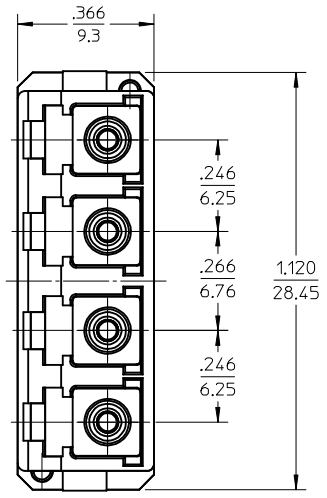
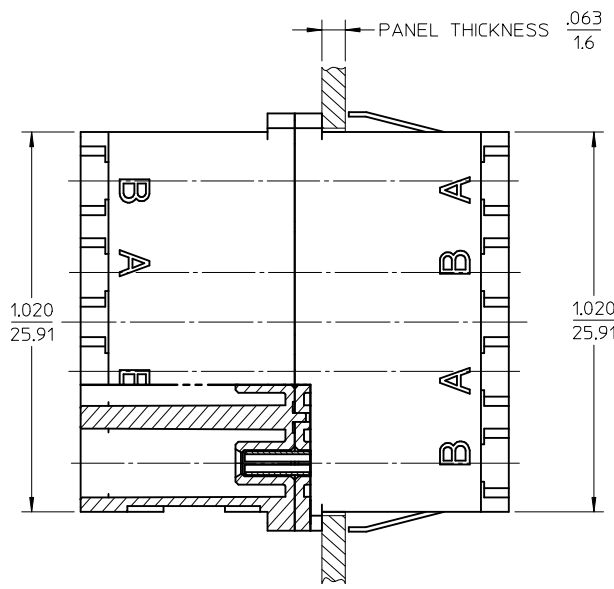


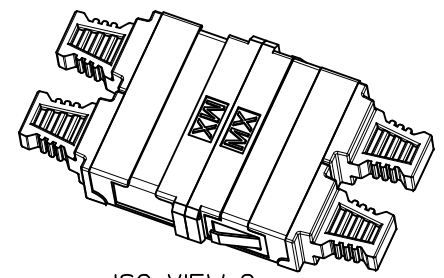
10	9	8
LC QUAD ADAPTER P/N	LC QUAD ADAPTER COLOR	SPLIT SLEEVE MATERIAL
106123-0300	BLUE	ZR
106123-1300	BEIGE	PHOSPHOR BRONZE
106123-2300	GREEN	ZR
106123-3300	AQUA	PHOSPHOR BRONZE
106123-1350	BLUE	PHOSPHOR BRONZE



RECOMMENDED MOUNTING PATTERN
SCALE 2:1



ISO VIEW 1
SCALE 1.5:1



ISO VIEW 2
SCALE 1.5:1

- NOTES:
1. ALL DIMENSIONS ARE FOR REFERENCE.
 2. DUST CAPS NOT SHOWN ON FRONT, BOTTOM AND RIGHT VIEW.
 3. LC QUAD ADAPTER HAS SC DUPLEX ADAPTER FOOTPRINT.

ENTER DESCRIPTION EC NO: MF2013-0549 DRWN:KPEVZNER 2013/03/04 CHKD: APPR: IGUMIN 2013/03/07 REV A2	QUALITY SYMBOLS $\nabla F=0$ $\nabla E=0$ $\nabla F=0$	GENERAL TOLERANCES (UNLESS SPECIFIED) <table border="1"> <thead> <tr> <th></th> <th>mm</th> <th>INCH</th> </tr> </thead> <tbody> <tr> <td>4 PLACES</td> <td>± ---</td> <td>± ---</td> </tr> <tr> <td>3 PLACES</td> <td>± ---</td> <td>± ---</td> </tr> <tr> <td>2 PLACES</td> <td>± ---</td> <td>± ---</td> </tr> <tr> <td>1 PLACE</td> <td>± ---</td> <td>± ---</td> </tr> <tr> <td>0 PLACE</td> <td>±</td> <td>±</td> </tr> </tbody> </table>		mm	INCH	4 PLACES	± ---	± ---	3 PLACES	± ---	± ---	2 PLACES	± ---	± ---	1 PLACE	± ---	± ---	0 PLACE	±	±	DIMENSION STYLE IN/MM DRAWN BY PGIBLIN DATE 2005/11/21 CHECKED BY DATE	SCALE 3:1 DESIGN UNITS INCH	THIRD ANGLE PROJECTION
		mm	INCH																				
	4 PLACES	± ---	± ---																				
	3 PLACES	± ---	± ---																				
2 PLACES	± ---	± ---																					
1 PLACE	± ---	± ---																					
0 PLACE	±	±																					
ANGULAR ± --- ° DRAFT WHERE APPLICABLE MUST REMAIN WITHIN DIMENSIONS		MATERIAL NO. SEE TABLE	APPROVED BY IGUMIN DATE 2010/03/16	TITLE LC QUAD ADAPTER SMALL FLANGE SNAP MOUNT																			
		SIZE B	DOCUMENT NO. SD-106123-X300	molex																			
		THIS DRAWING CONTAINS INFORMATION THAT IS PROPRIETARY TO MOLEX INCORPORATED AND SHOULD NOT BE USED WITHOUT WRITTEN PERMISSION		SHEET NO. 1 OF 1																			