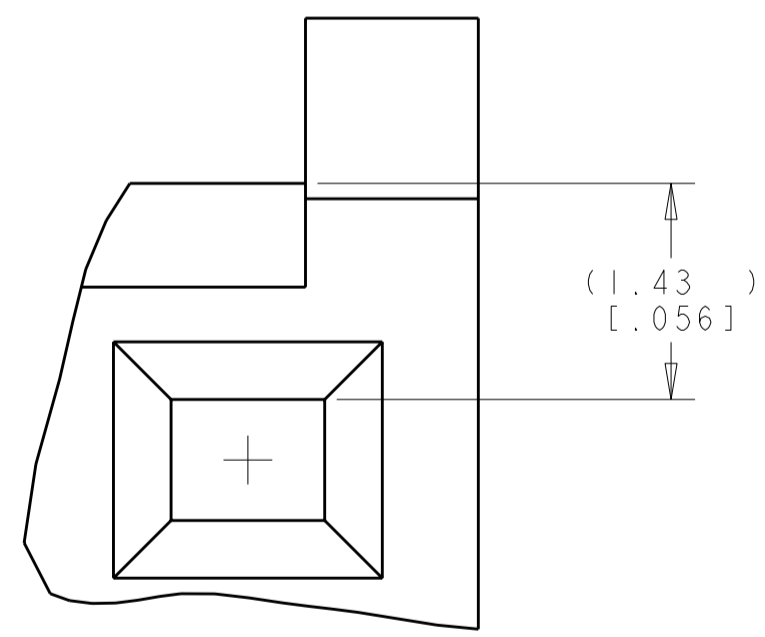
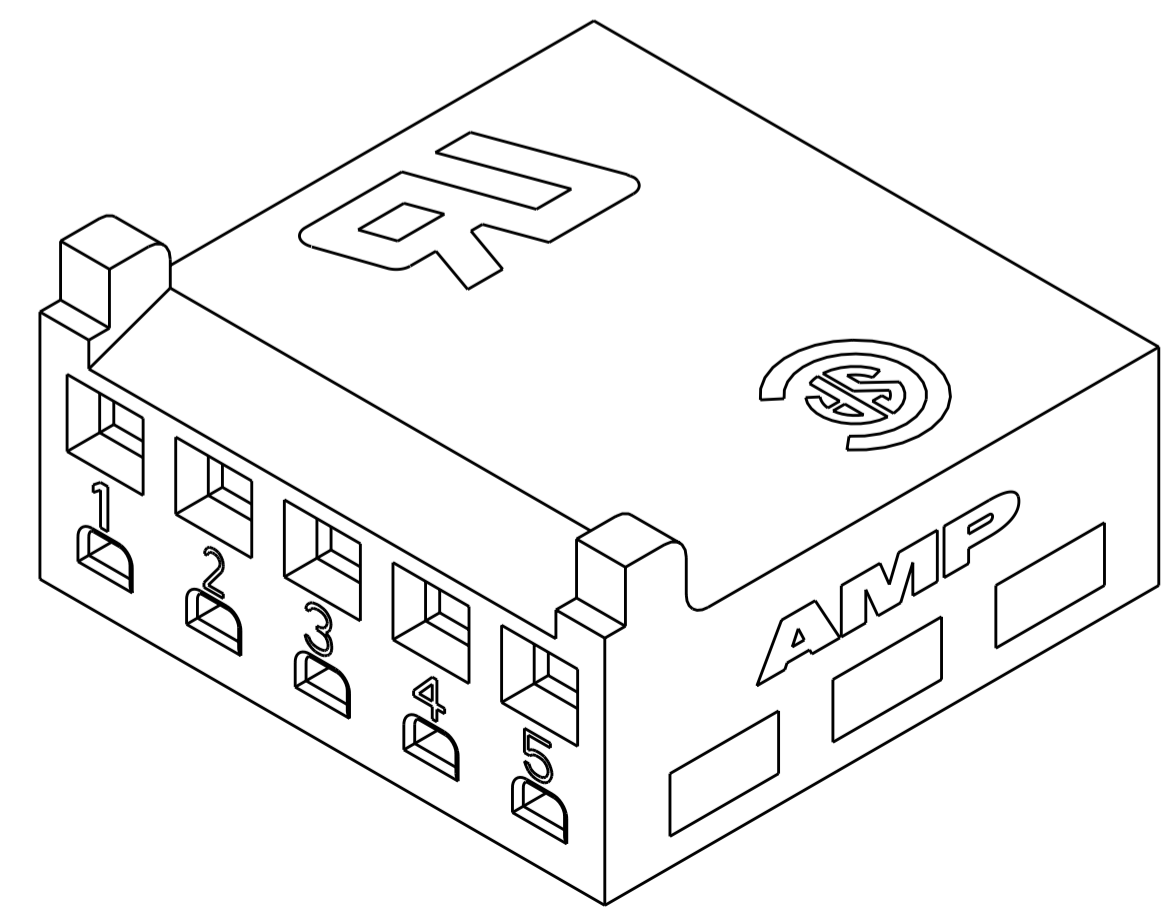
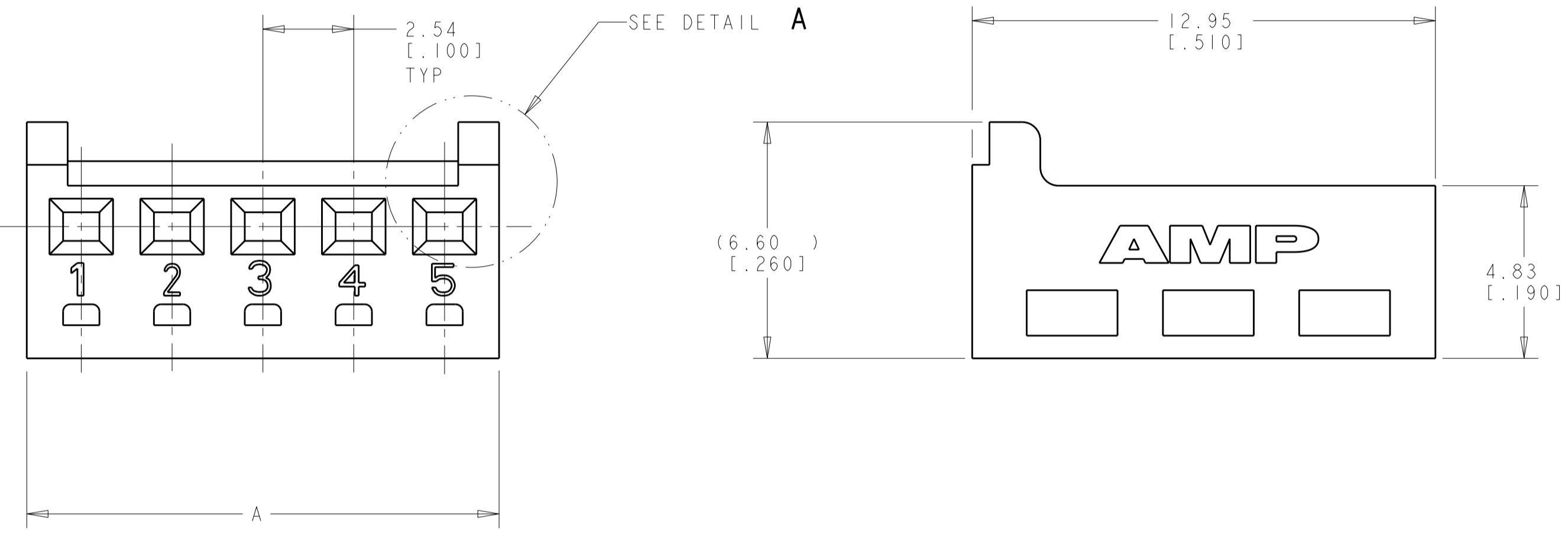


THIS DRAWING IS UNPUBLISHED. RELEASED FOR PUBLICATION 20
 © COPYRIGHT 20 BY TYCO ELECTRONICS CORPORATION. ALL RIGHTS RESERVED.

LOC	DIST	REVISIONS					
CM	00	P	LTR	DESCRIPTION	DATE	DWN	APVD
			A	RELEASED PER WR-08-40	26AUG2008	KW	SR

1. ACCEPTS CONTACT P/N 1375819.
2. ACCEPTS MTA-100 KEYING PLUG P/N 1744320-5.
3. DIMENSIONS IN BRACKETS ARE IN INCHES.
4. NOT FOR USE WITH CONTACT PART NUMBER 770601 OR 770666.



DETAIL A
SCALE 20:1

0.023 IN ³	1744318-1
VOLUME	PART NUMBER

METRIC

THIS DRAWING IS A CONTROLLED DOCUMENT FOR TYCO ELECTRONICS CORPORATION. IT IS SUBJECT TO CHANGE AND THE CONTROLLING ENGINEERING ORGANIZATION SHOULD BE CONTACTED FOR THE LATEST REVISION.		DWN K. WHITAKER 25AUG2008	Tyco Electronics Harrisburg, PA 17105-3608	
DIMENSIONS: mm [INCHES]		CHK S. RIDGILL 25AUG2008	NAME HOUSING, PINK, 5 CIRCUIT, CST-100 II	
TOLERANCES UNLESS OTHERWISE SPECIFIED: 0 PLC ± 1 PLC ± 2 PLC ±0.13 [.005] 3 PLC ± 4 PLC ± ANGLES ± FINISH -		APVD S. RIDGILL 25AUG2008	PRODUCT SPEC 108-1948	
MATERIAL NYLON		APPLICATION SPEC 114-13036	SIZE A2	RESTRICTED TO -
CUSTOMER DRAWING		WEIGHT -	CAGE CODE 00779	DRAWING NO. 1744318
		SCALE 8:1	SHEET 1	REV A