

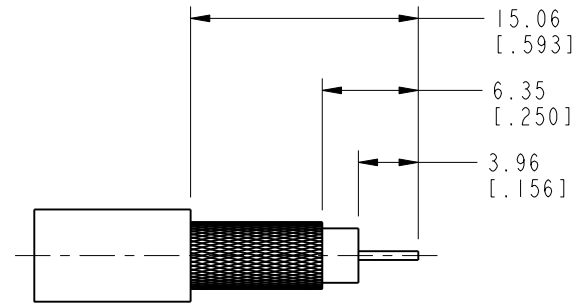
NOTES:

1. MATERIALS AND FINISHES:  
 BODY - BRASS, NICKEL PLATING.  
 CONTACT - BRASS, GOLD PLATING.  
 INSULATOR - PTFE, NATURAL
2. ELECTRICAL:  
 A. IMPEDANCE: 75 OHM
3. MECHANICAL:  
 A. DURABILITY: 500 CYCLES MIN.  
 B. TEMPERATURE RANGE: -65° C TO +165° C
4. WHEN CRIMPING CONTACT PIN TO CABLE, CRIMP WITH AMPHENOL TOOL 227-944 (M22520/5-01) AND DIE SET 227-1221-32, CAVITY 'B' (OR CTL-2, .068 HEX).
5. WHEN CRIMPING FERRULE TO CABLE, CRIMP WITH AMPHENOL TOOL 227-944 (M22520/5-01) AND DIE SET 227-1221-32, CAVITY 'A' (OR CTL-2, .324 HEX).
6. ASTERISK (\*) INDICATES CABLE ENTRY DIM'S.
7. USE WITH BELDEN 8281, 8281B, 8281F, 9141, 9231 CABLES, AND AT&T 728, CLARK CV752 CABLES.
8. PACKAGE CONNECTOR IN BAG.

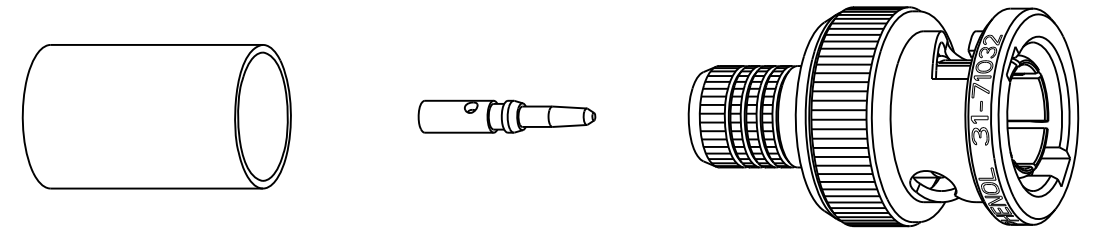
THIRD ANGLE PROJ.

REVISIONS

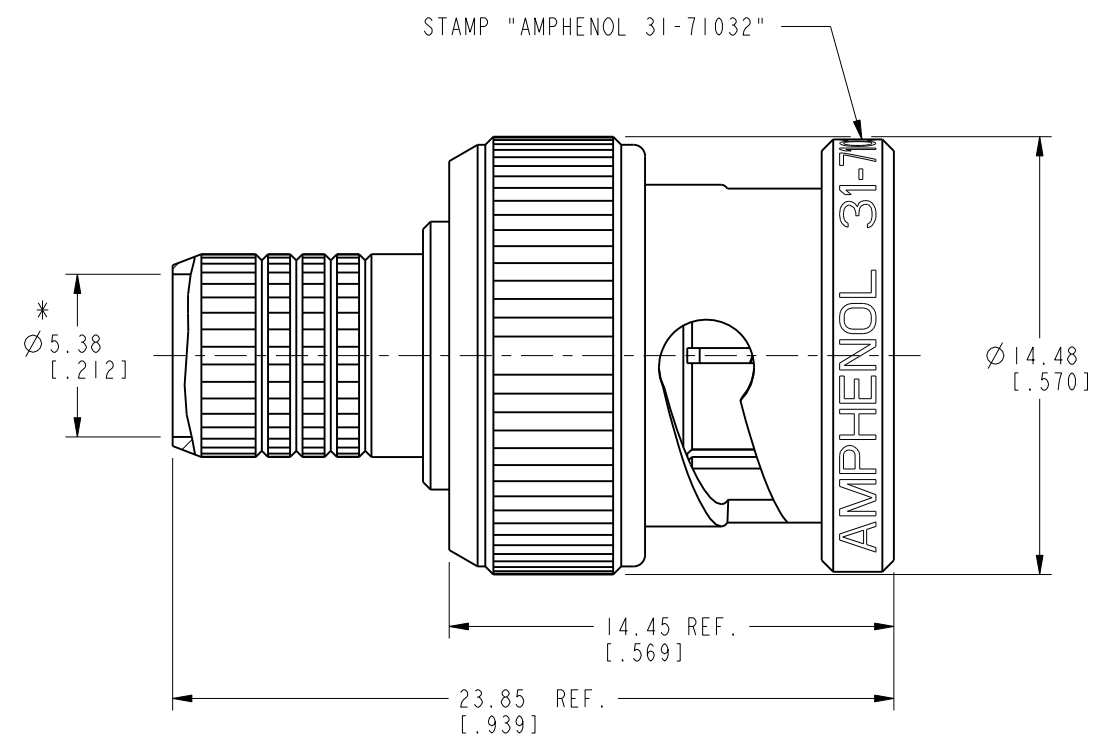
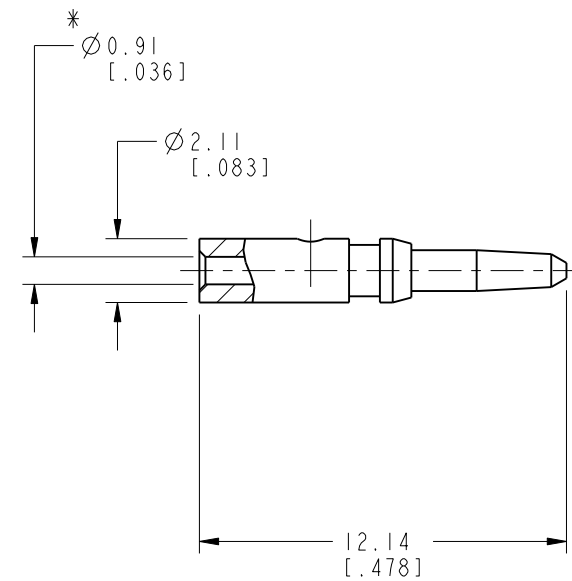
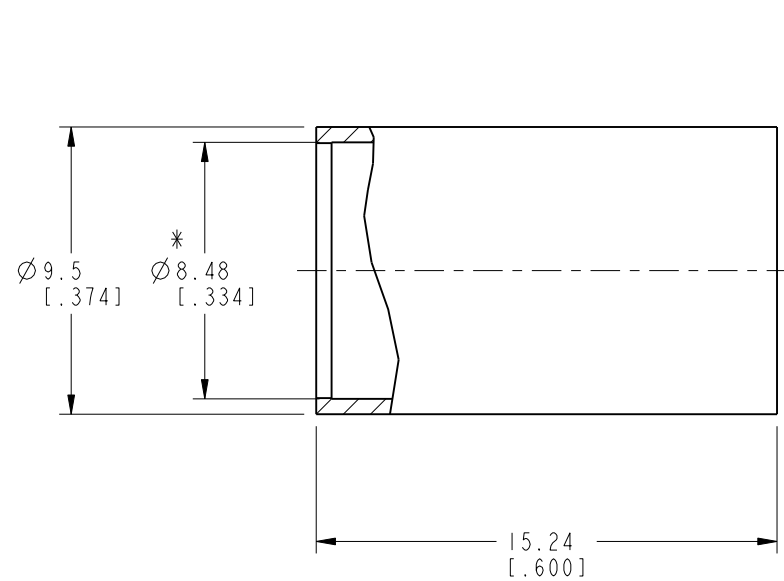
REV	DESCRIPTION	DATE	ECO	APPR
--	RELEASE TO MFG.	----	----	----
F	SPRING WAS CHANGED	09-Aug-12	49157	SH



SCALE 2.000  
**RECOMMENDED CABLE STRIPPING DIMENSIONS**



SCALE 2.000



**CUSTOMER OUTLINE DRAWING**  
 ALL OTHER SHEETS ARE FOR INTERNAL USE ONLY

UNLESS OTHERWISE SPECIFIED, DIMENSIONS ARE IN METRIC AND TOLERANCES ARE: <0.5mm ±0.05mm    0.5 - 6mm ±0.1mm    6 - 30mm ±0.2mm    30 - 120mm ±0.3mm    ANGLES ±1°	MATERIAL	DRAWN T. DENG	DATE 09-Aug-12	TITLE BNC PLUG (75 OHM) FOR RG-59 DOUBLE BRAIDED TYPE CABLE SCALE: 4.0:1.0   SHEET 2 OF 2	Amphenol RF www.amphenolrf.com
	NOTICE - These drawings, specifications, or other data (1) are, and remain the property of Amphenol corp. (2) must be returned upon request; and (3) are confidential and not to be disclosed to any person other than those to whom they are given by Amphenol Corp. the finishing of these drawings, specifications, or other data by Amphenol Corp., or to any other person to anyone for any purpose is not to be regarded by implication or otherwise in any manner licensing, granting rights to permitting such holder or any other person to manufacture, use or sell any product, process or design, patented or otherwise, that may in any way be related to or disclosed by said drawings, specifications, or other data.	REFERENCE EAR 961834-0 EAR 964772-0 CONFIGURATION LEVEL:	ENGINEER D. ROYCE		
	FINISH	APPROVED S. HSIEH	DATE 09-Aug-12	DWG SIZE B	REV F
					ITEM NO. 31-71032 PART NO. 31-71032