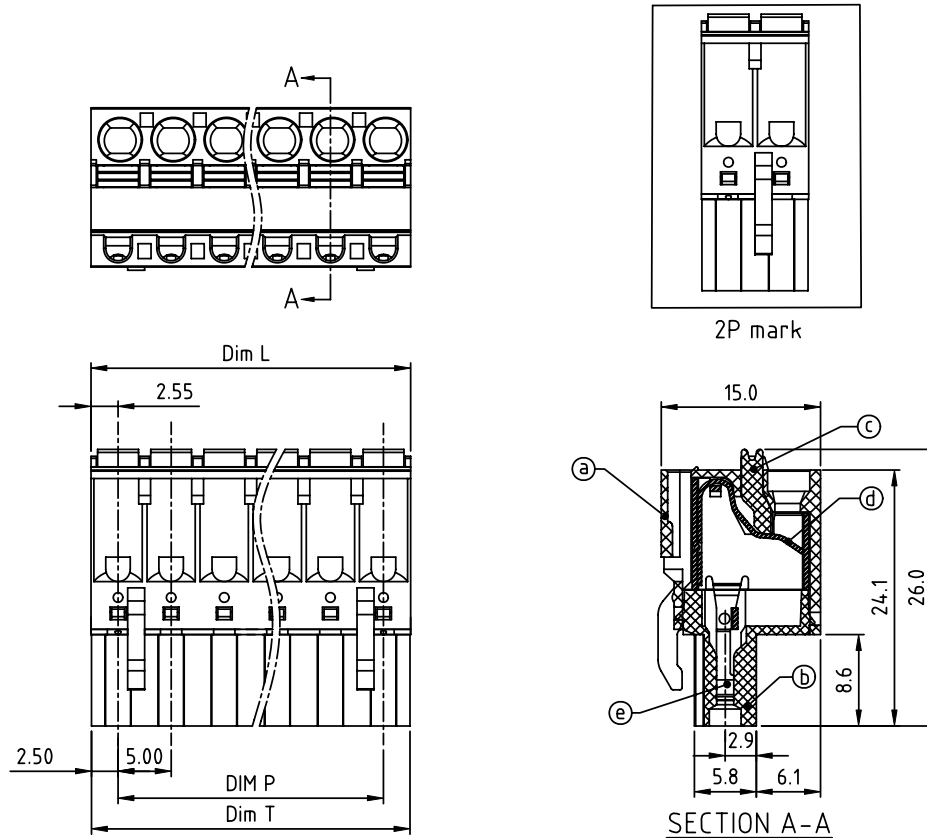


PRODUCT NUMBER	PITCH
HWxx70x100JOG	5.00 mm



- Material:
- Item(a)Top body:Thermoplastic (UL94V-0)
 - Item(b)Bottom body:Thermoplastic (UL94V-0)
 - Item(c)Terminal lever:Thermoplastic (UL94V-0),Orange (RAL2001/P)
 - Item(d)Spring clamp:Stainless Steel
 - Item(e)Female contact:PhBz (CuSn)Tin plated

- Electrical
- Voltage rating: 300V
 - Current rating: 10A
 - Solid wire(AWG): 12-26
 - Stranded wire(AWG): 12-26
 - Wire strip length: 9-10mm
 - Withstanding Voltage: 1.6KV
 - Operating temperature: -40°C to +115°C
 - Safety Approval:

N=Number of poles
 Dim L=Nx5.0 +0.1
 Dim P=(N-1)x5.0
 Dim T=Nx5.0

Poles	Tolerance
2P-6P	±0.15
7P-12P	±0.20
13P-18P	±0.25
19P-24P	±0.30

PART NO.: HW xx 7 0 x 1 00J0 G

Solid block	No. of poles	Color	RoHS compliant (lead<4%) In copper Alloy
0	2	Black (RAL9005)	
2	3	Red (RAL3001/D)	
3	4	Orange(RAL2011/P)	
03	5	Yellow(RAL1018/A)	
...	...	5 Green(RAL6018/T)	
24	6	Blue (RAL5015/A)	
	8	Grey(RAL7035/D)	
	9	White(RAL1102)	
	C	Green(RAL6018/U)	

mat'l. code		surface ASME Y14.5	tolerance ASME Y14.5	projection 	product family TERMINAL BLOCK
ltr	ecn no	dr	date		title TERMINAL BLOCK
				angles 	scale SPRING CLAMP, PLUGGABLE PLUG, CONTACT ON UP SIDE
				X±0.5	dwg no sheet 1 of 1 size
				X.X±0.3	HWxx70x100JOG
				X*±1*	A4
				X.XX±0.1	type CUSTOMER Drawing
dr	EVIN ZHONG	051514			
enr	EVIN ZHONG	051514			
chr	HANKE FENG	051514			
appd	SHI JUN	051514			
sheet index	revision	A			
	sheet	1			