

4

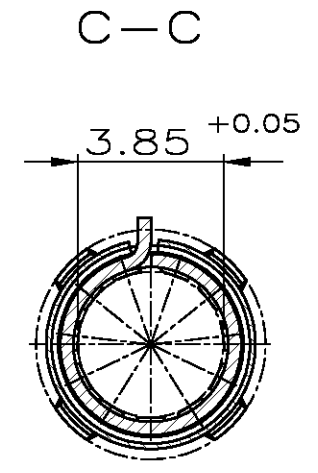
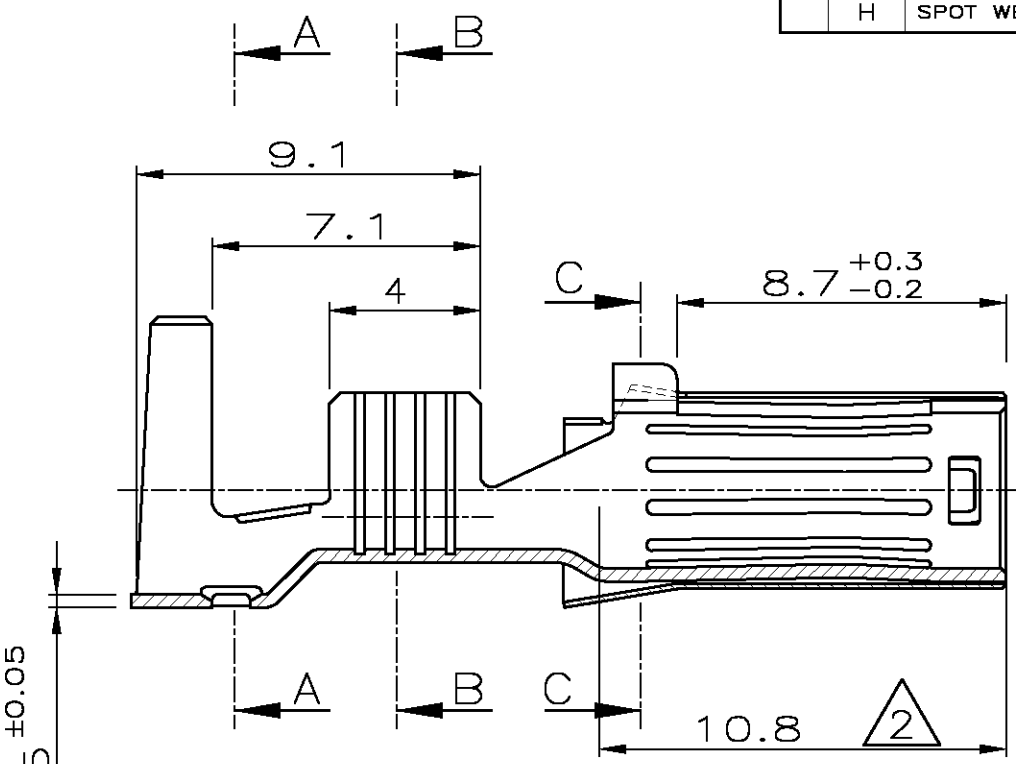
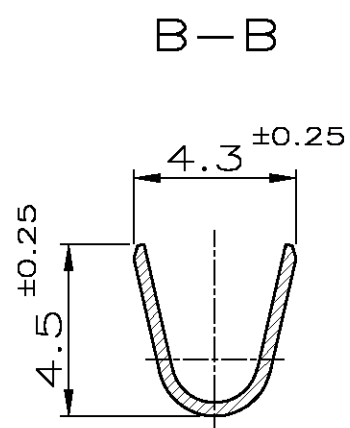
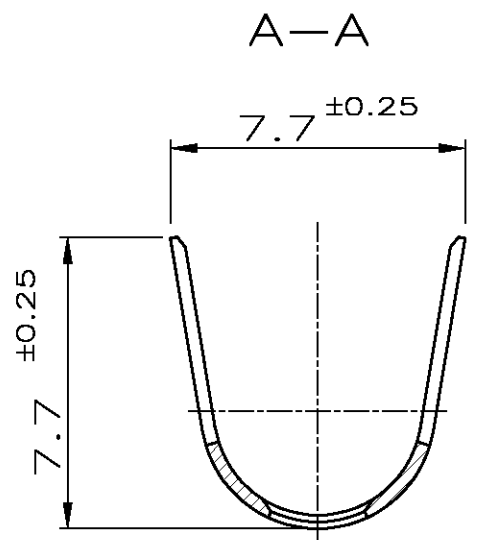
3

2

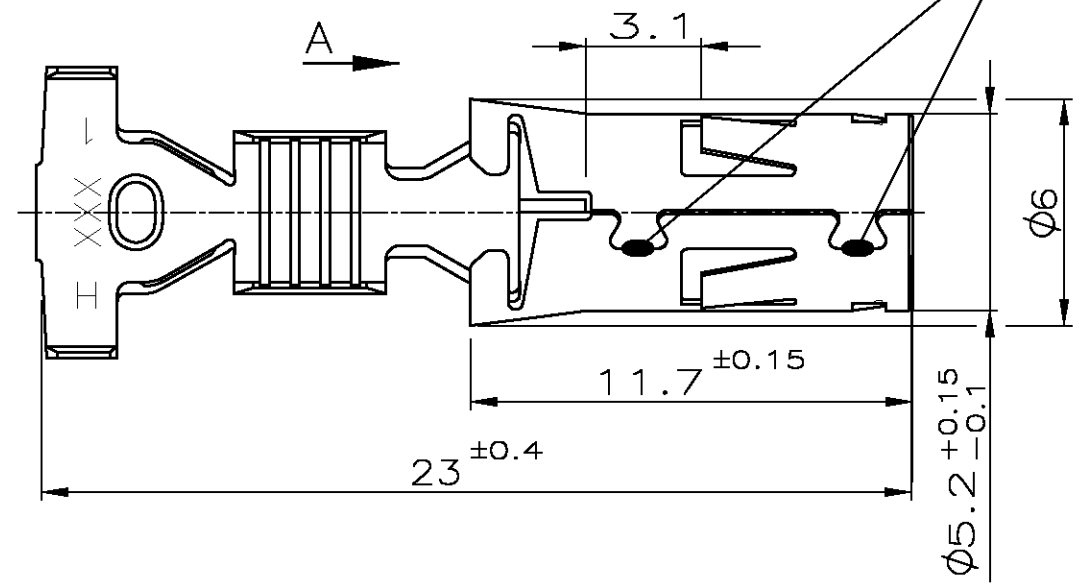
1

THIS DRAWING IS UNPUBLISHED. RELEASED FOR PUBLICATION. ALL RIGHTS RESERVED.

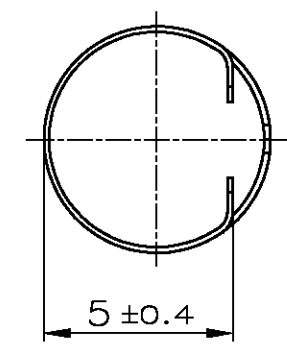
| LOC | DIST | REVISIONS | | | |
|-----|------|---|-----------|------|------|
| P | LTR | DESCRIPTION | DATE | DWN | APVD |
| A1 | - | | | | |
| F | | DOVE TAIL ADDED/Schwalbenschwanz eingefuegt | 28JUL2006 | C.H. | C.G. |
| G | | DRAWING ADAPTED / Zeichnung angepasst | 14AUG2007 | Abr | C.G. |
| H | | SPOT WELDING CHANGED INTO LINE WELDING | 27SEP2012 | Sch | Abr |



LASER WELDED (LINE)
Laserschweissung (Linie)



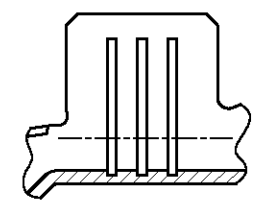
Teilansicht A



NOTES
Bemerkungen

- 1 1-3µm Sn
1-3µm Sn
- 2 3-4µm GALVANIC Ag
REST GALV. Sn (1-3µm)
3-4µm galvanisch Ag
Rest galv. Sn (1-3µm)
- 3 WIRE RANGE
Drahtgroessenbereich (mm²): >2.5-4.0
- 4 INSULATION RANGE FOR SWS $\phi 6$ (mm): 2.7-3.7
Isolationsbereich fuer EDS $\phi 6$

OPTIONAL



| FINISH | PART NO. | REV. |
|---------------|------------|------|
| vorversilbert | 0-962956-2 | H |
| vorverzinkt | 0-962956-1 | H |

| | | | | | |
|--|--|-------------------------------|--|--------------------|------------------------|
| THIS DRAWING IS A CONTROLLED DOCUMENT. | | DWN E. Palmie 30JAN1995 | STE TE Connectivity | | |
| DIMENSIONS: mm | | CHK H. Lutsch 30JAN1995 | | | |
| TOLERANCES UNLESS OTHERWISE SPECIFIED: 0 PLC ± ± 0.2mm 1 PLC ± ± 2 PLC ± ± 3 PLC ± ± 4 PLC ± ± ANGLES ± 1.5° FINISH - | | APVD - | NAME Ø4mm SOCKET CONTACT, SWS Ø4mm Buchsenkontakt, EDS | | |
| MATERIAL CuNiSi | | PRODUCT SPEC 108-18472 | SIZE A3 | CAGE CODE 00779 | DRAWING NO C-962956 |
| | | APPLICATION SPEC 114-18118 | RESTRICTED TO - | | |
| | | WEIGHT - | SCALE 5:1 | | |
| | | CUSTOMER DRAWING | SHEET 1 OF 1 | | |
| | | | REV H | | |