

THIS DRAWING IS UNPUBLISHED.

RELEASED FOR PUBLICATION

ALL RIGHTS RESERVED.

© COPYRIGHT - By -

LOC

DIST

REVISIONS

P

LTR

DESCRIPTION

DATE

DWN

APVD

A

RELEASED

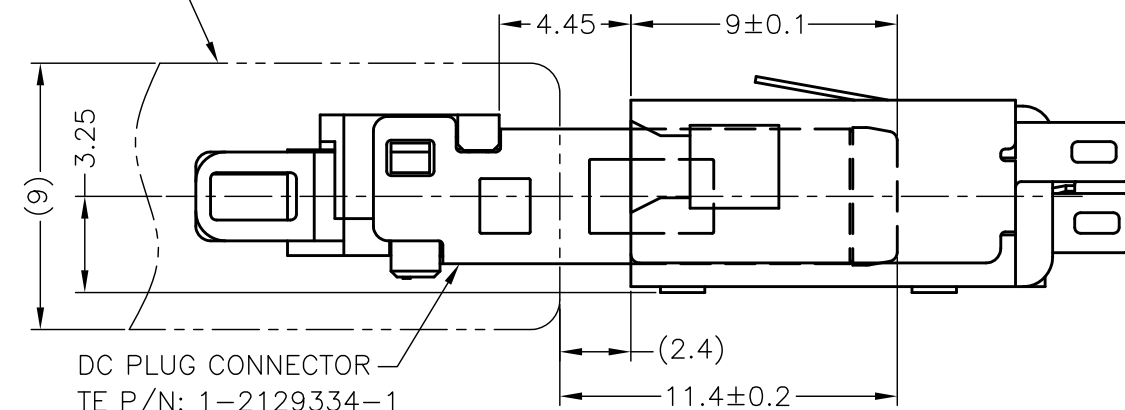
14JUN13

S.H

V.P

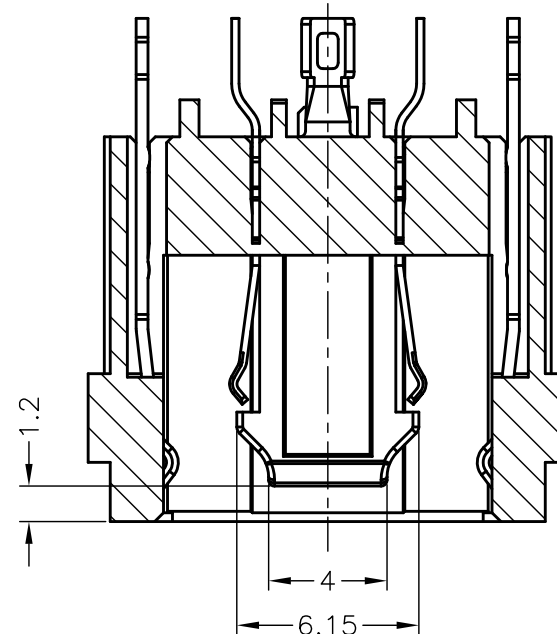
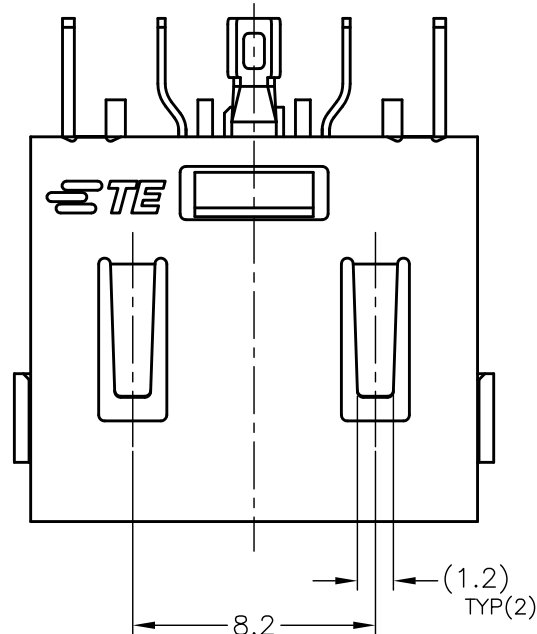
2129567-1; AS SHOWN

PLUG OVERMOLD

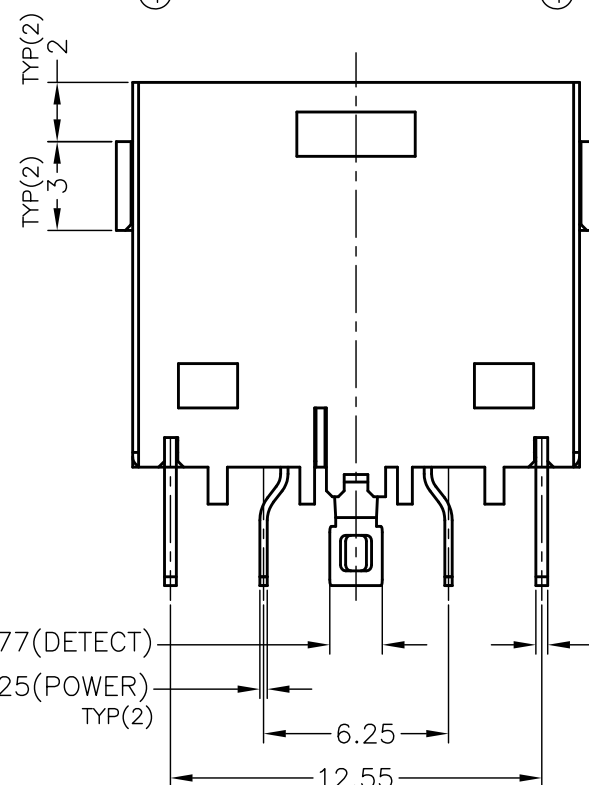
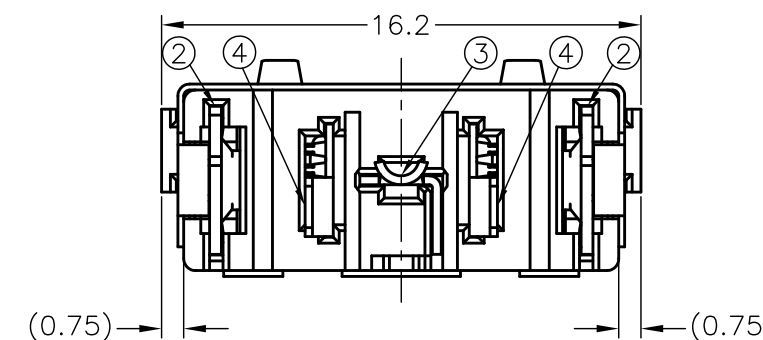
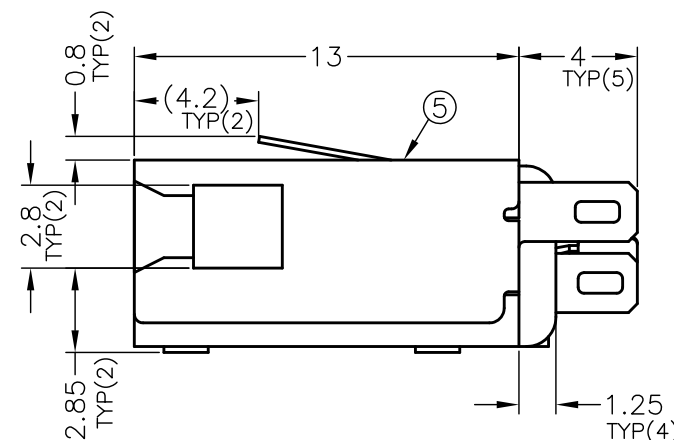
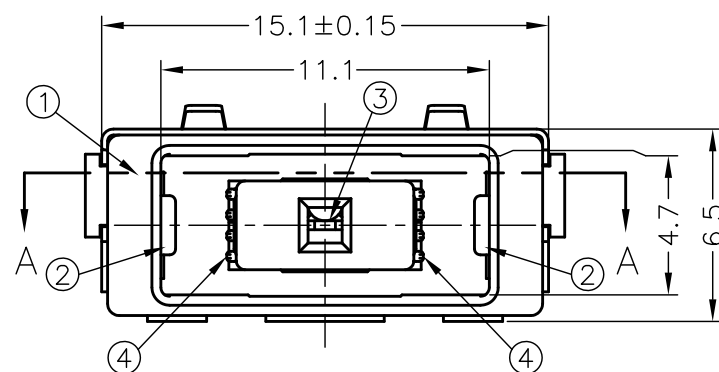


DC PLUG CONNECTOR
TE P/N: 1-2129334-1

MATING CONDITION



A-A



1		STAINLESS STEEL	SHELL	⑤
2	0.0002mm GOLD PLATING ON CONTACT AREA, 0.002mm MATTE TIN PLATING ON SOLDER AREA, 0.002mm MIN. NICKEL UNDERPLATED ALL OVER	COPPER ALLOY	POWER CONTACT	④
1	0.0002mm GOLD PLATING ON CONTACT AREA, 0.002mm MATTE TIN PLATING ON SOLDER AREA, 0.002mm MIN. NICKEL UNDERPLATED ALL OVER	COPPER ALLOY	DETECT CONTACT	③
2	0.0002mm GOLD PLATING ON CONTACT AREA, 0.002mm MATTE TIN PLATING ON SOLDER AREA, 0.002mm MIN. NICKEL UNDERPLATED ALL OVER	COPPER ALLOY	GROUND CONTACT	②
1	BLACK	HIGH TEMP. THERMO-PLASTIC(UL94V-0)	HOUSING	①
Q'TY	FINISH/COLOR	MATERIAL	PART NAME	NO.

THIS DRAWING IS A CONTROLLED DOCUMENT.

DWN 14JUN2013

S.HUANG

CHK 14JUN2013

V.PENG

APVD 14JUN2013

V.PENG

PRODUCT SPEC

108-99040

APPLICATION SPEC

WEIGHT

CUSTOMER DRAWING

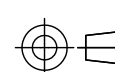
STE TE Connectivity

NAME
DC POWER JACK CONNECTOR
CABLE TYPE, 10.7A

SIZE	CAGE CODE	DRAWING NO	RESTRICTED TO
A3	00779	2129567	

DIMENSIONS:

mm



TOLERANCES UNLESS OTHERWISE SPECIFIED:

0 PLC	±	
1 PLC	±	±0.25
2 PLC	±	
3 PLC	±	±3°
4 PLC	±	
ANGLES	±	

MATERIAL

SEE TABLE

FINISH

SCALE 4:1

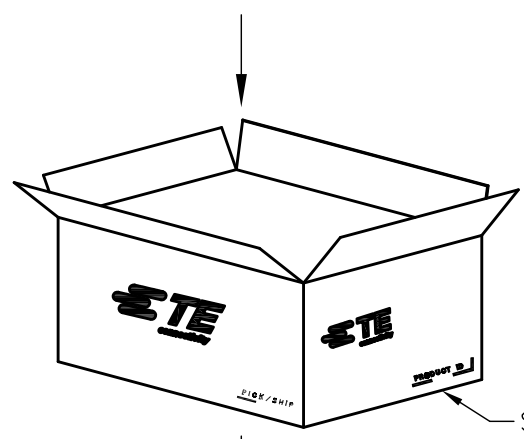
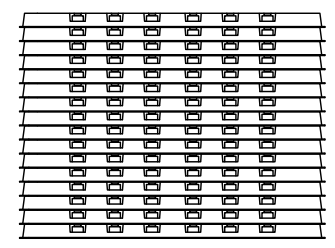
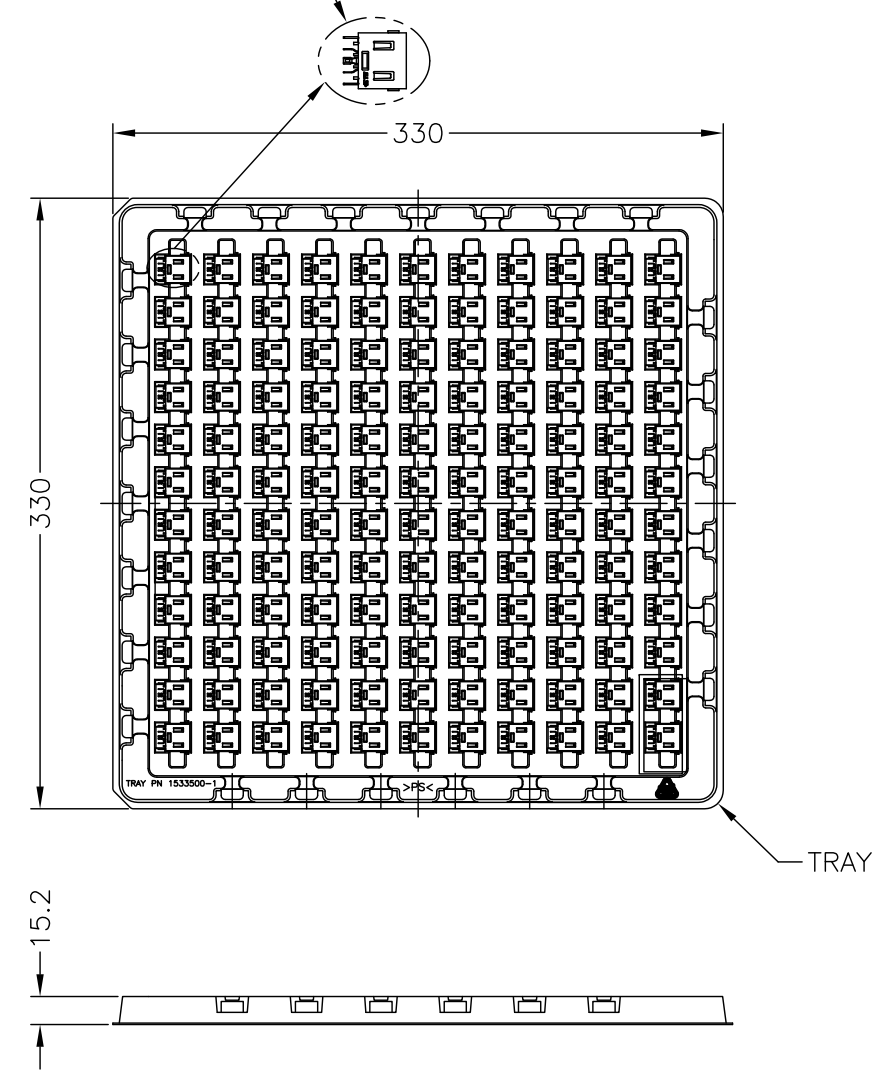
SHEET 1 OF 2

REV A

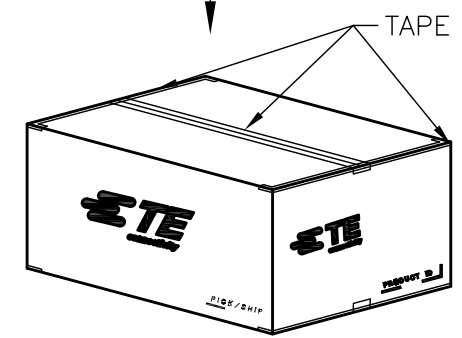
THIS DRAWING IS UNPUBLISHED. RELEASED FOR PUBLICATION
 © COPYRIGHT - By - ALL RIGHTS RESERVED.

LOC	DIST	REVISIONS				
P	LTR	DESCRIPTION	DATE	DWN	APVD	
DW	/	SEE SHEET 1	-	-	-	

DC POWER JACK CONNECTOR
 TE P/N: 2129567-1



SHIPPING BOX



TAPE

1. EU ROHS-RELATED RESTRICTED SUBSTANCE SPEC IN HOMOGENEOUS MATERIAL REFER TO TEC-138-702 REV.G:
 LEAD < 1000PPM, CADMIUM < 100PPM, MERCURY < 1000PPM
 CHROMIUM VI < 1000PPM, PBB <1000PPM, PBDE < 1000PPM
2. HALOGEN FREE SPEC:
 CHLORINE (Cl): 900 ppm MAX.
 BROMINE (Br): 900 ppm MAX.
 CHLORINE (Cl) + BROMINE (Br): 1500 ppm MAX.
3. SHIPPING BOX DIMENSION: 445mmX445mmX270mm

132	25	3300
PCS/TRAY	TRAY/SHIPPING BOX	TOTAL Q'TY

THIS DRAWING IS A CONTROLLED DOCUMENT.		DWN		TE Connectivity	
DIMENSIONS: mm		CHK			
TOLERANCES UNLESS OTHERWISE SPECIFIED:		APVD		NAME	
0 PLC ± - 1 PLC ± - 2 PLC ± - ±0.25 3 PLC ± - ±3' 4 PLC ± - ANGLES ± -		PRODUCT SPEC		DC POWER JACK CONNECTOR CABLE TYPE, 10.7A	
MATERIAL		APPLICATION SPEC		SIZE	
FINISH		WEIGHT		CAGE CODE	
		CUSTOMER DRAWING		DRAWING NO	
				RESTRICTED TO	
				A3 00779	
				C-2129567	
				SCALE NA SHEET 2 OF 2 REV A	