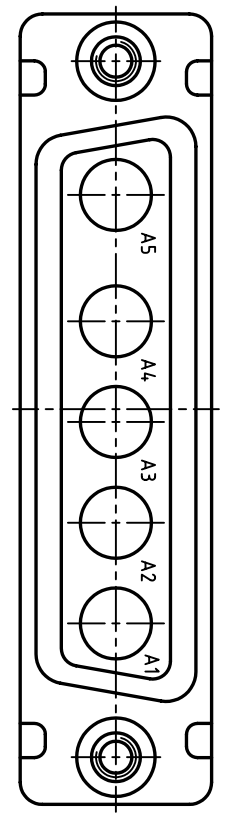
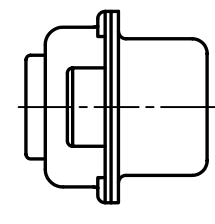
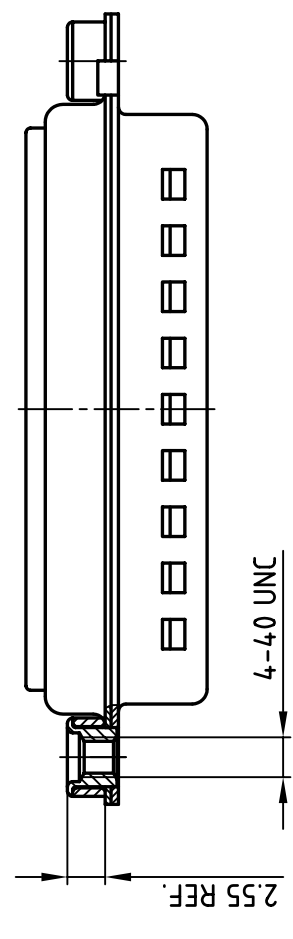
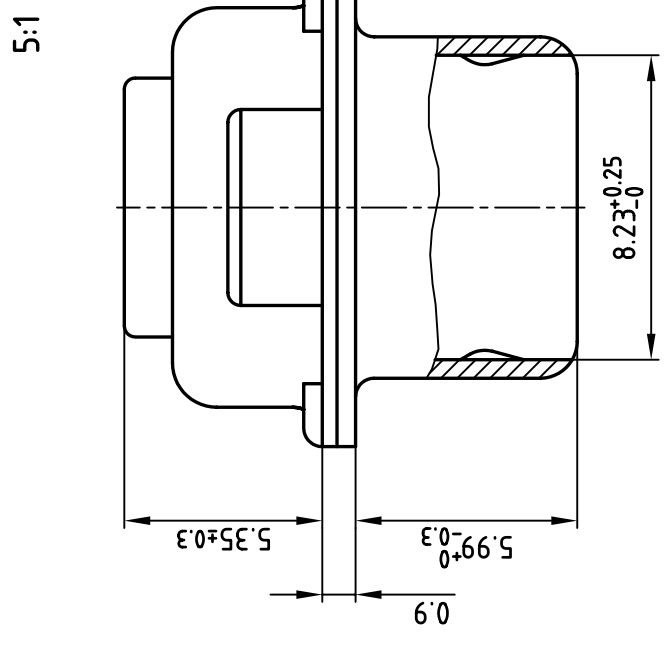
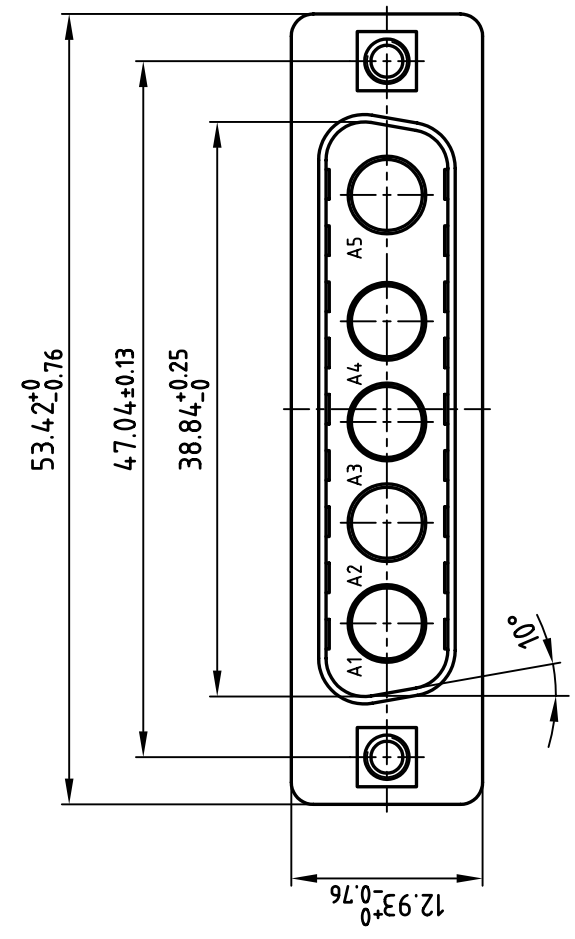


used for: D-SUB COMBINATION



NOTES:

1. METALSHELLS: STEEL; min. 320µin TIN
2. INSULATORS: PBT GF UL 94 V-0, GREEN
3. THREADED INSERT: COPPER ALLOY; min. 200µin TIN over 80µin NICKEL
4. MAXIMUM TORQUE VALUE FOR THREAD: 6 in.LB

Directive 2002/95/EC
"RoHS"
Compliant

CFMT5W5P-K121

DO NOT ALTER CAD DRAWING BY HAND		tolerance		scale: 2:1 (5:1)	
OWNERSHIP AND COPYRIGHT OF CONEC GMBH		material: SEE NOTES		material: SEE NOTES	
WRITTEN PERMISSION		name		title: D-SUB COMBINATION MALE	
BE PASSED ON TO A THIRD PARTY WITHOUT		date		5W5P	
REPRODUCED IN ANY WAY, AND MAY NOT		05.10.		WITHOUT CONTACTS	
THIS DRAWING MAY NOT BE COPIED OR		05.10.		dwg no: 13K1A093A	
		norm		AutoCAD 2000	
		d-old		DIN-A	
				sh: 1/1	
				product no: 3005W5PXX99A30X	
				1	

