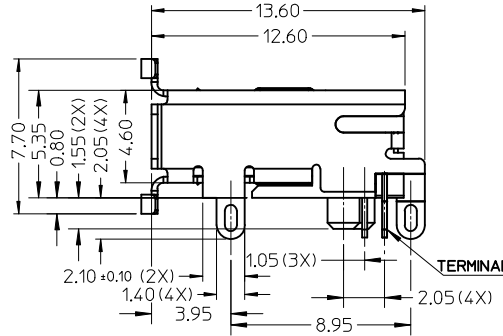
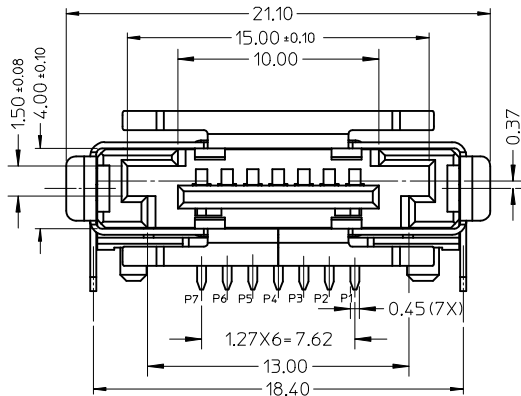
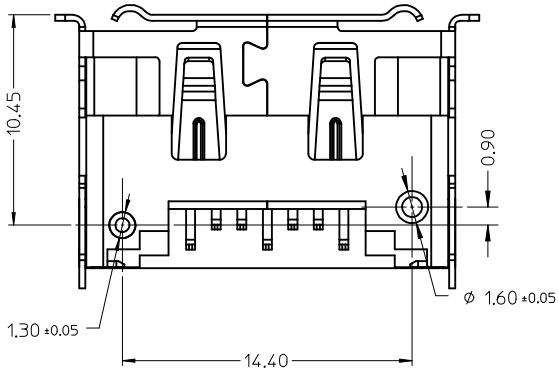


RECOMMEND PCB LAYOUT(CONNECTOR SIDE)
THICKNESS=1.30(ALL TOLERANCE: +/-0.05)



NOTES:

- MATERIAL:
HOUSING: THERMAL PLASTIC,COLOR: BLACK, UL94V-0.
SHIELD CASE: COPPER ALLOY.
TERMIANL: COPPER ALLOY.
- PLATING:
SHIELD CASE: 100~200μ" SOLDERABLE NICKEL OVER ALL.
TERMINAL: CONTACT AREA GOLD PLATING(SEE CHART) AND SOLDER TAIL 50~100μ" TIN ALLOY PLATING OVER 50μ" MIN. NICKEL.
- PRODUCT SPEC REFER TO PS-47082-001.
- PACKAGE SPEC REFER TO PK-47379-001.
- PRODUCT MEET STANDARD 1.0 REVISION OF THE SERIAL ATA II: CABLE AND CONNECTOR VOL 2 SPECIFICATION.
- PRODUCT COMPLIANT TO RoHS DIRECTIVE 2002/95/EC AND ELV 2000/53/EC.



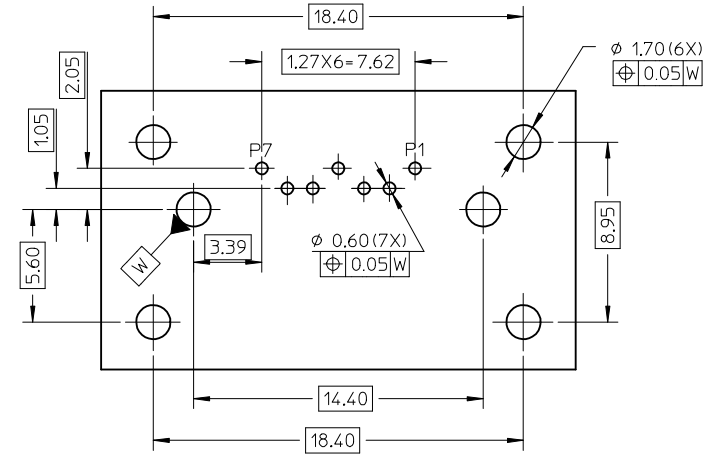
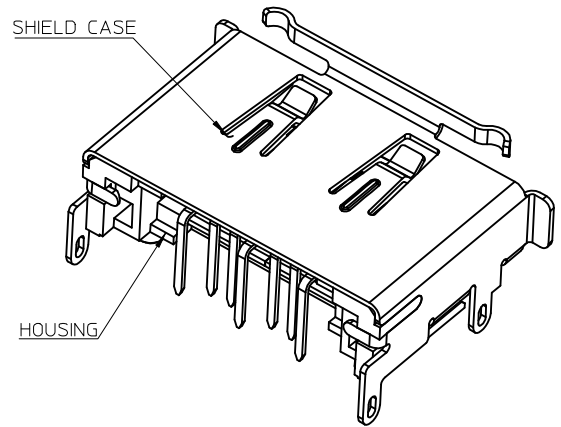
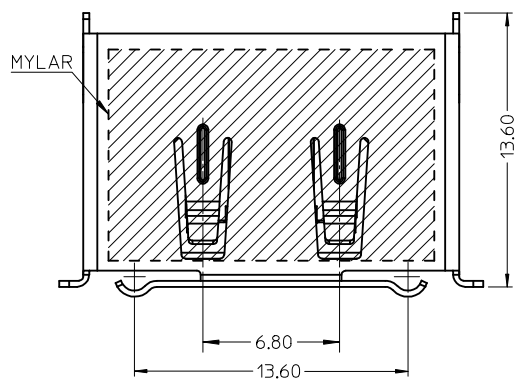
REVISED	EC NO:	2007/04/30
	DRWG:GLL	2007/05/04
	CHKD:	2007/05/04
	APPR: JINCHEN	2007/05/09
REV	DESCRIPTION	

QUALITY SYMBOLS	▽=0	
	∇=0	
GENERAL TOLERANCES (UNLESS SPECIFIED)	mm	INCH
	4 PLACES	± --- ± ---
	3 PLACES	± --- ± ---
	2 PLACES	± 0.2 ± ---
	1 PLACE	± 0.25 ± ---
ANGULAR ± 3 °		
DRAFT WHERE APPLICABLE MUST REMAIN WITHIN DIMENSIONS		

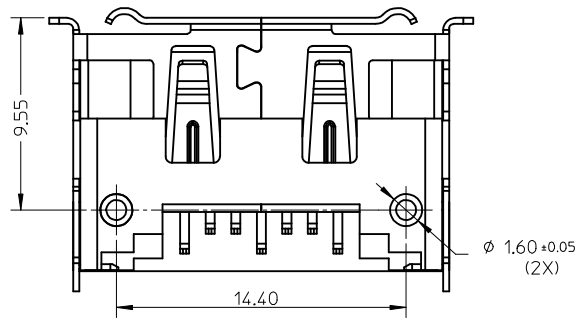
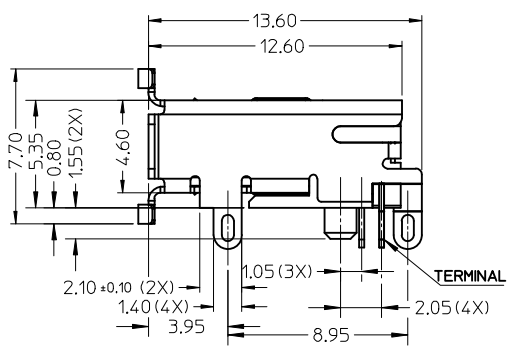
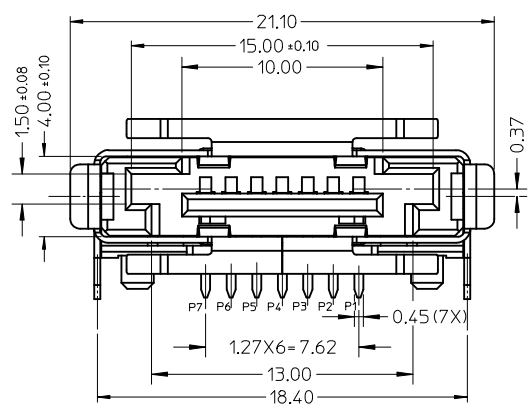
DIMENSION STYLE		SCALE	DESIGN UNITS	THIRD ANGLE PROJECTION
MM ONLY		1:1	METRIC	
DRAWN BY	DATE	TITLE		
DIXON LI	2006/11/17	EXTERNAL SATA PLUG WITH SHELL DIP MOUNT TYPE		
CHECKED BY	DATE	MOLEX INCORPORATED		
JENNY ZENG	2006/11/17	SD-47392-100		
APPROVED BY	DATE	SHEET NO.		
GRATE MA	2006/11/17	1 OF 3		
MATERIAL NO.	DOCUMENT NO.	THIS DRAWING CONTAINS INFORMATION THAT IS PROPRIETARY TO MOLEX INCORPORATED AND SHOULD NOT BE USED WITHOUT WRITTEN PERMISSION		
SEE TABLE IN SHEET 3				

10 9 8 7 6 5 4 3 2 1

F
E
D
C
B
A



RECOMMEND PCB LAYOUT (CONNECTOR SIDE)
THICKNESS=1.30 (ALL TOLERANCE: +/-0.05)



REVISED	EC NO:	2007/04/30	QUALITY SYMBOLS	GENERAL TOLERANCES (UNLESS SPECIFIED)		DIMENSION STYLE		SCALE	DESIGN UNITS	THIRD ANGLE PROJECTION
	DRWG:GLL1	2007/05/04		mm	INCH	MM ONLY	1:1	METRIC		
	CHKD:	2007/05/04		4 PLACES	± ---	± ---	DRAWN BY	DATE	TITLE	
	APPR: JINCHEN	2007/05/09		3 PLACES	± ---	± ---	DIXON LI	2006/11/17	EXTERNAL SATA PLUG WITH SHELL DIP MOUNT TYPE	
			2 PLACES	± 0.2	± ---	CHECKED BY	DATE			
			1 PLACE	± 0.25	± ---	JENNY ZENG	2006/11/17			
			ANGULAR ± 3 °			APPROVED BY	DATE			
			DRAFT WHERE APPLICABLE MUST REMAIN WITHIN DIMENSIONS			GRATE MA	2006/11/17			
						MATERIAL NO.				
						SEE TABLE IN SHEET 3				
						THIS DRAWING CONTAINS INFORMATION THAT IS PROPRIETARY TO MOLEX INCORPORATED AND SHOULD NOT BE USED WITHOUT WRITTEN PERMISSION				
						MOLEX MOLEX INCORPORATED				
						SD-47392-100		SHEET NO. 2 OF 3		

9 8 7 6 5 4 3 2 1

	10	9	8	7	6	5	4	3	2	1	
F	473920205	ORANGE	0.76 MICRONS MIN	PA46(ONLY USE FOR WAVE SOLDER)	TWO POSTS ARE STAGGER AND DIAMETERS ARE DIFERRENT (DETAILS REFER TO SHEET 1)		473921205	ORANGE	0.76 MICRONS MIN	PA46(ONLY USE FOR WAVE SOLDER)	
	473920204	RED					473921204	RED			
	473920203	BLUE					473921203	BLUE			
	473920202	NATURE					473921202	NATURE			
	473920201	BLACK					473921201	BLACK			
E	473920105	ORANGE	0.38 MICRONS MIN	PA46(ONLY USE FOR WAVE SOLDER)	TWO POSTS ARE STAGGER AND DIAMETERS ARE DIFERRENT (DETAILS REFER TO SHEET 1)		473921105	ORANGE	0.38 MICRONS MIN	PA46(ONLY USE FOR WAVE SOLDER)	
	473920104	RED					473921104	RED			
	473920103	BLUE					473921103	BLUE			
	473920102	NATURE					473921102	NATURE			
	473920101	BLACK					473921101	BLACK			
E	473920005	ORANGE	GOLD FLASH	PA6T(USE FOR IR AND WAVE SOLDER)	TWO POSTS ARE STAGGER AND DIAMETERS ARE DIFERRENT (DETAILS REFER TO SHEET 1)		473921005	ORANGE	GOLD FLASH	PA6T(USE FOR IR AND WAVE SOLDER)	
	473920004	RED					473921004	RED			
	473920003	BLUE					473921003	BLUE			
	473920002	NATURE					473921002	NATURE			
	473920001	BLACK					473921001	BLACK			
D	473920305	ORANGE	0.76 MICRONS MIN	PA6T(USE FOR IR AND WAVE SOLDER)	TWO POSTS ARE STAGGER AND DIAMETERS ARE DIFERRENT (DETAILS REFER TO SHEET 1)		473921305	ORANGE	0.76 MICRONS MIN	PA6T(USE FOR IR AND WAVE SOLDER)	
	473920304	RED					473921304	RED			
	473920303	BLUE					473921303	BLUE			
	473920302	NATURE					473921302	NATURE			
	473920301	BLACK					473921301	BLACK			
C	473920405	ORANGE	0.38 MICRONS MIN	PA6T(USE FOR IR AND WAVE SOLDER)	TWO POSTS ARE STAGGER AND DIAMETERS ARE DIFERRENT (DETAILS REFER TO SHEET 1)		473921405	ORANGE	0.38 MICRONS MIN	PA6T(USE FOR IR AND WAVE SOLDER)	
	473920404	RED					473921404	RED			
	473920403	BLUE					473921403	BLUE			
	473920402	NATURE					473921402	NATURE			
	473920401	BLACK					473921401	BLACK			
C	473920505	ORANGE	GOLD FLASH	PA6T(USE FOR IR AND WAVE SOLDER)	TWO POSTS ARE STAGGER AND DIAMETERS ARE DIFERRENT (DETAILS REFER TO SHEET 1)		473921505	ORANGE	GOLD FLASH	PA6T(USE FOR IR AND WAVE SOLDER)	
	473920504	RED					473921504	RED			
	473920503	BLUE					473921503	BLUE			
	473920502	NATURE					473921502	NATURE			
	473920501	BLACK					473921501	BLACK			
	MATERIAL MUBER	HOUSING COLOR	TERMINAL CONTACT PLATING	HOUSING MATERIAL	REMARK		MATERIAL NUMBER	HOUSING COLOR	TERMINAL CONTACT PLATING	HOUSING MATERIAL	REMARK

B											B
---	--	--	--	--	--	--	--	--	--	--	---

A	REVISED EC NO: SH2007-0788 2007/04/30 DRWNG: LLI CHKD: TIAN 2007/05/04 APPR: JNCHEN 2007/05/09	DESCRIPTION REV	QUALITY SYMBOLS ▽=0 ∇=0	GENERAL TOLERANCES (UNLESS SPECIFIED)	DIMENSION STYLE MM ONLY	SCALE	DESIGN UNITS METRIC	THIRD ANGLE PROJECTION	TITLE EXTERNAL SATA PLUG WITH SHELL DIP MOUNT TYPE MOLEX INCORPORATED SD-47392-100	SHEET NO. 3 OF 3
			4 PLACES ± --- ± ---	mm INCH	DRAWN BY DATE DIXON LI 2006/11/17	TITLE				
			3 PLACES ± --- ± ---	2 PLACES ± 0.2 ± ---	CHECKED BY DATE JENNY ZENG 2006/11/17					
			1 PLACE ± 0.25 ± ---	ANGULAR ± 3 °	APPROVED BY DATE GRATE MA 2006/11/17					
			DRAFT WHERE APPLICABLE MUST REMAIN WITHIN DIMENSIONS	SEE TABLE	MATERIAL NO.	DOCUMENT NO.				

	9	8	7	6	5	4	3	2	1
--	---	---	---	---	---	---	---	---	---