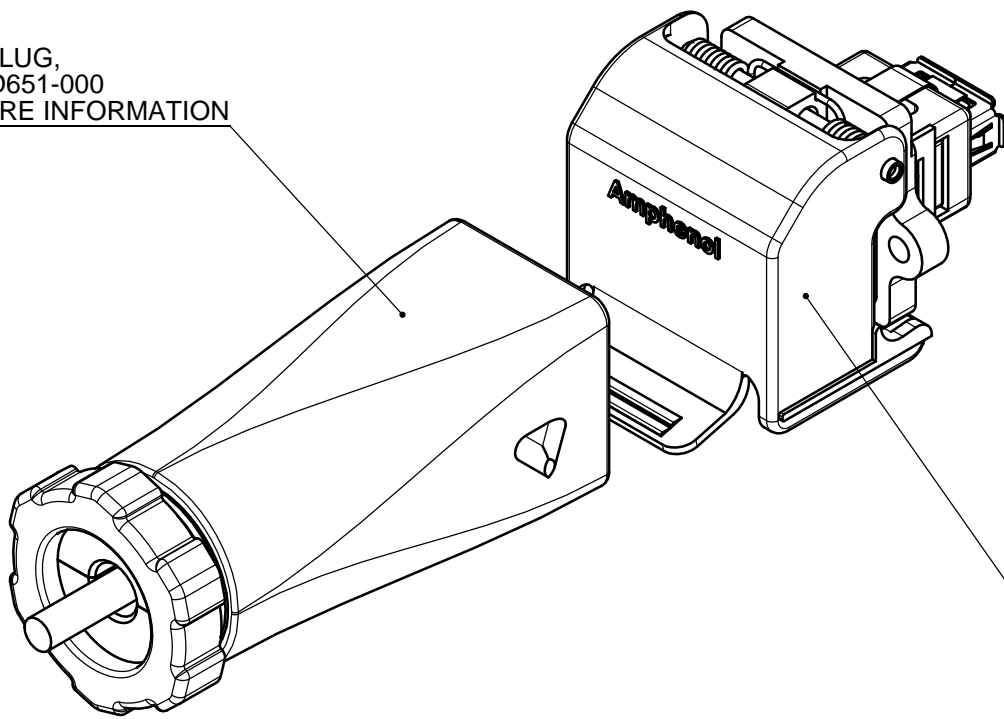


REV - DESCRIPT - DATE - APPRVD
.
.
.

USB-A PLUG,  
SEE P-ID651-000  
FOR MORE INFORMATION



USB-A RECEPTACLE,  
SEE P-ID451-000  
FOR MORE INFORMATION

NOTES:

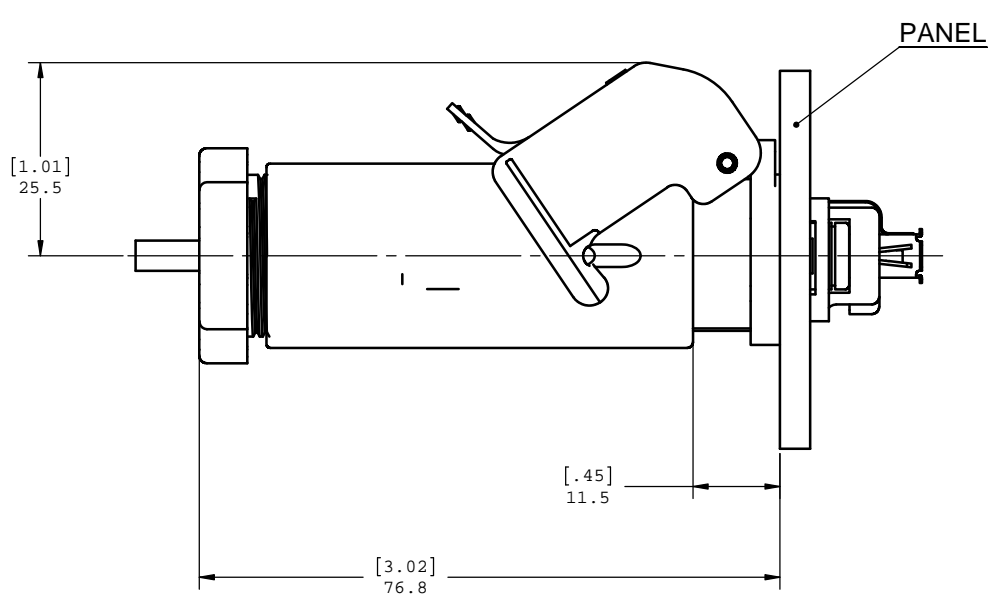
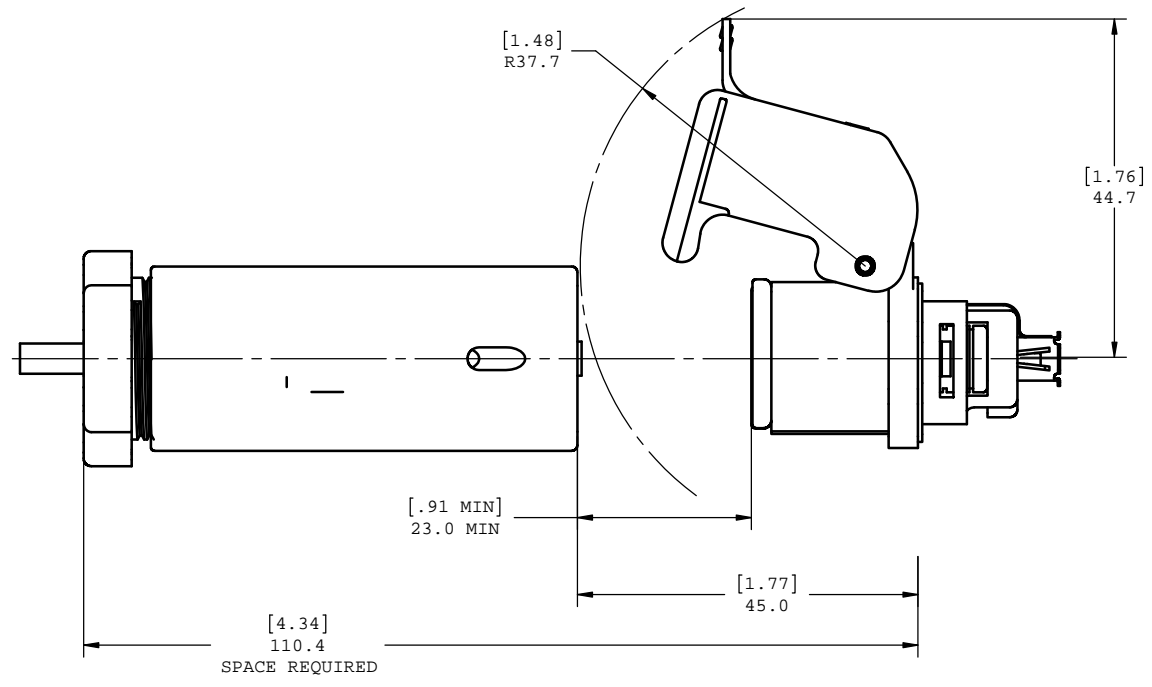
1. OPERATING TEMPERATURE: -40°C TO +85°C.
2. ENVIROMENT PERFORMANCE: IP67.
3. CONNECTOR IS ROHS COMPLIANT PER EU DIRECTIVE 2002/95/EC AND AMENDMENTS.
4. PART NUMBER FOR ORDER IS ID751-000.



UNLESS OTHERWISE SPECIFIED DIMENSIONS ARE IN MILLIMETER TOLERANCES ARE:		APPROVALS	DATE	<b>Amphenol Canada Corp.</b>	
		DRAWN S.SEMENOV	FEB16/07		
DECIMALS .XX ± .10 .X ± .25	ANGLES ± 1°	DESIGNED S.SEMENOV	FEB16/07	TITLE <b>USB A RECEPTACLE AND PLUG</b>	
MATERIAL AND FINISH		CHECKED		SIZE C	DWG. NO. P-ID751-000
REF.		QA APP'D		REV. A	
CODE IDENT. NO.		IE APP'D		SCALE 2.5:1	PROJECT ID
		DWG APP'D A.GREEN	FEB16/07	SHEET 1 OF 2	

DO NOT SCALE DRAWING  
THIS DOCUMENT CONTAINS PROPRIETARY INFORMATION AND SUCH INFORMATION MAY NOT BE DISCLOSED TO OTHERS FOR ANY PURPOSE OR USED FOR MANUFACTURING PURPOSES WITHOUT PERMISSION FROM AMPHENOL CANADA CORP.

REV	DESCRIPT	DATE	APPRVD



UNLESS OTHERWISE SPECIFIED DIMENSIONS ARE IN MILLIMETER TOLERANCES ARE:		APPROVALS	DATE	<b>Amphenol Canada Corp.</b>	
DECIMALS .XX ±.10 .X ±.25		DRAWN S.SEMENOV	FEB16/07		
ANGLES ± 1°		DESIGNED S.SEMENOV	FEB16/07	TITLE <b>USB A RECEPTACLE AND PLUG</b>	
MATERIAL AND FINISH		CHECKED		SIZE C	DWG. NO. P-ID751-000
REF.		QA APP'D		SCALE 2:1	REV. A
CODE IDENT. NO.		IE APP'D		PROJECT ID	SHEET 2 OF 2
		DWG APP'D A.GREEN	FEB16/07		

DO NOT SCALE DRAWING  
 THIS DOCUMENT CONTAINS PROPRIETARY INFORMATION AND SUCH INFORMATION MAY NOT BE DISCLOSED TO OTHERS FOR ANY PURPOSE OR USED FOR MANUFACTURING PURPOSES WITHOUT PERMISSION FROM AMPHENOL CANADA CORP.