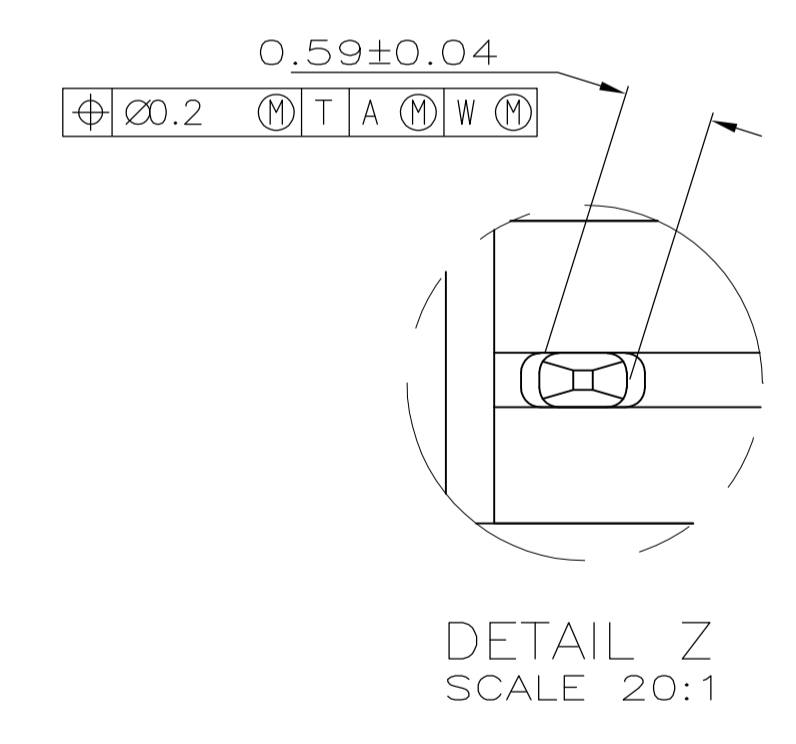
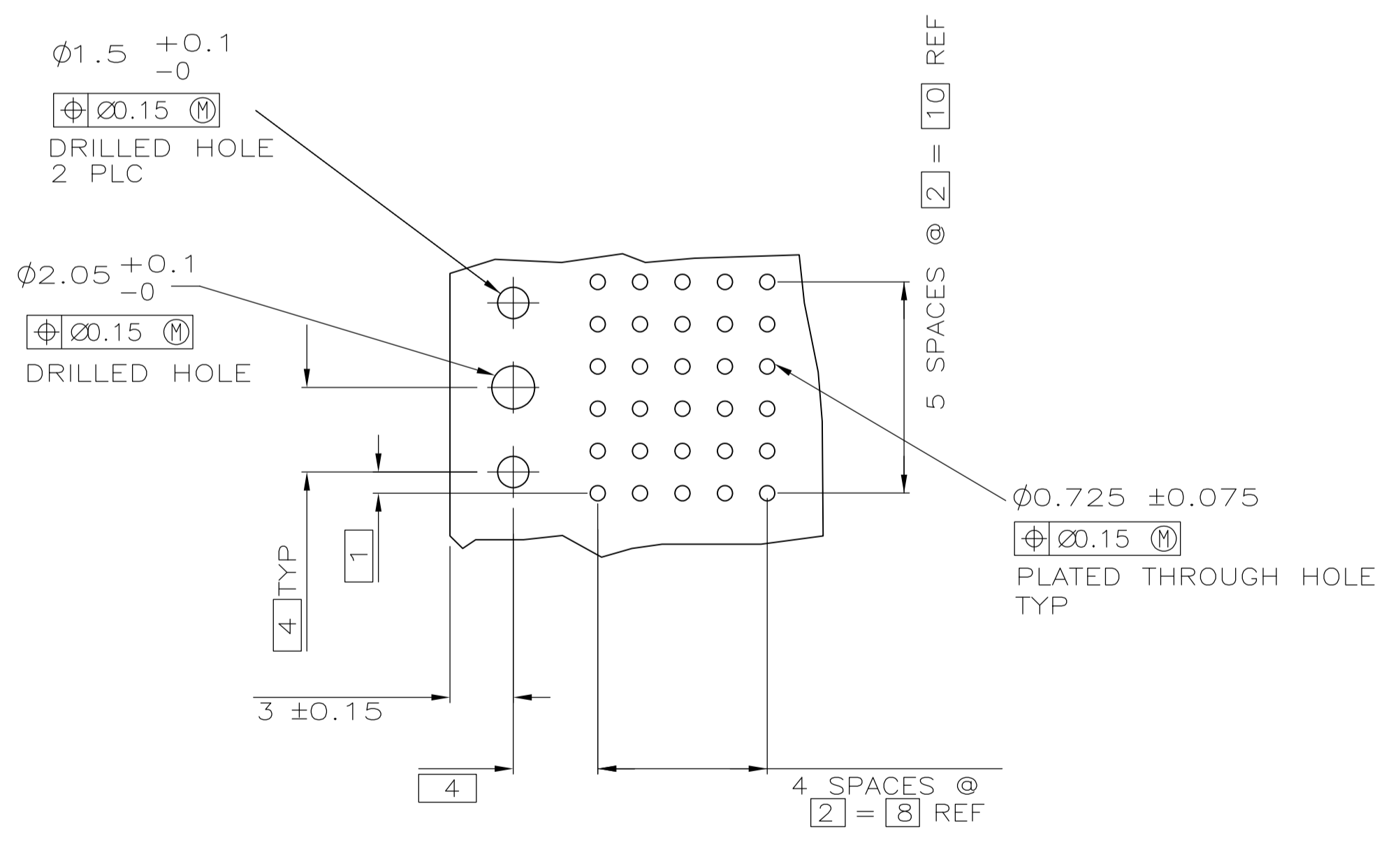
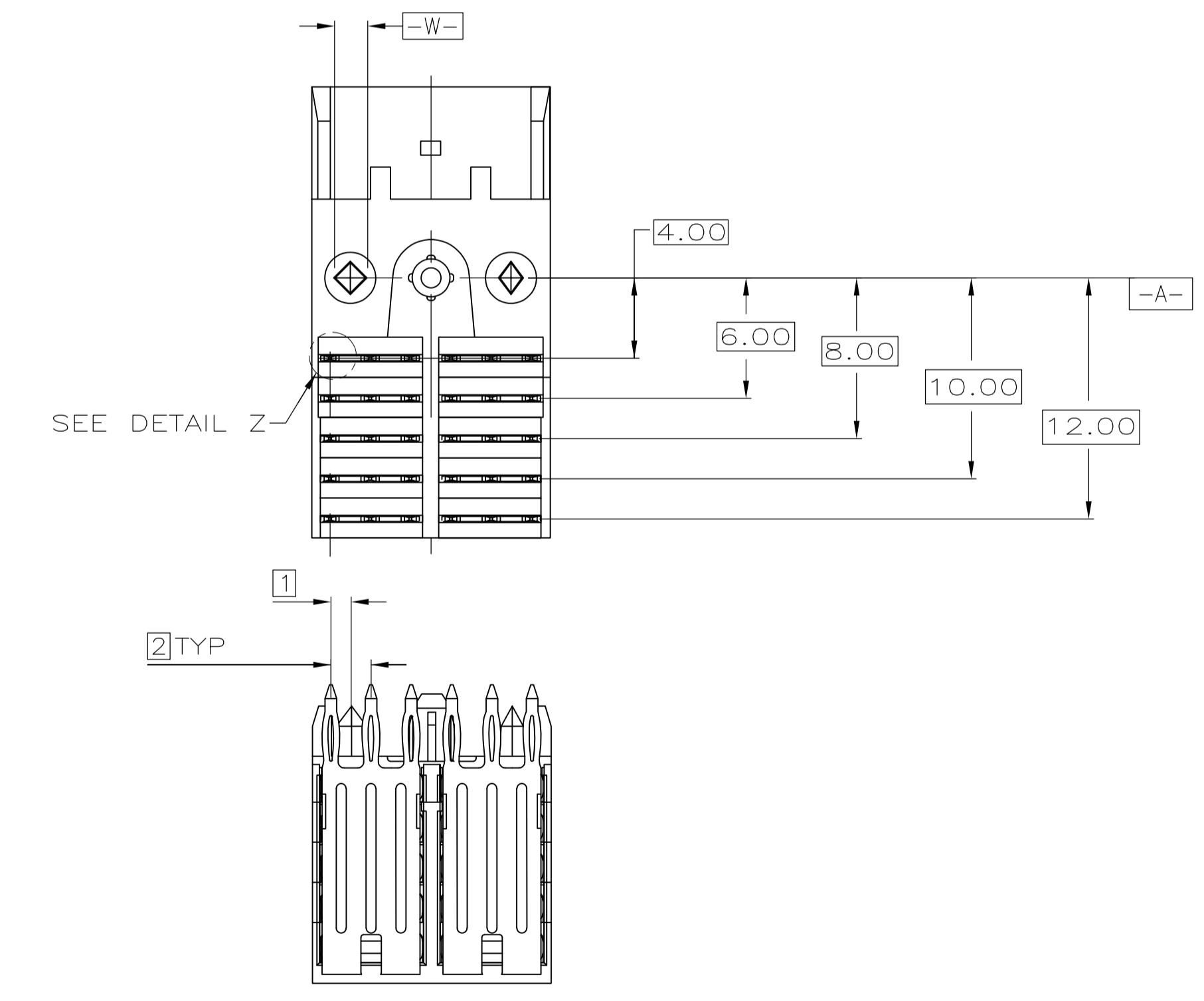
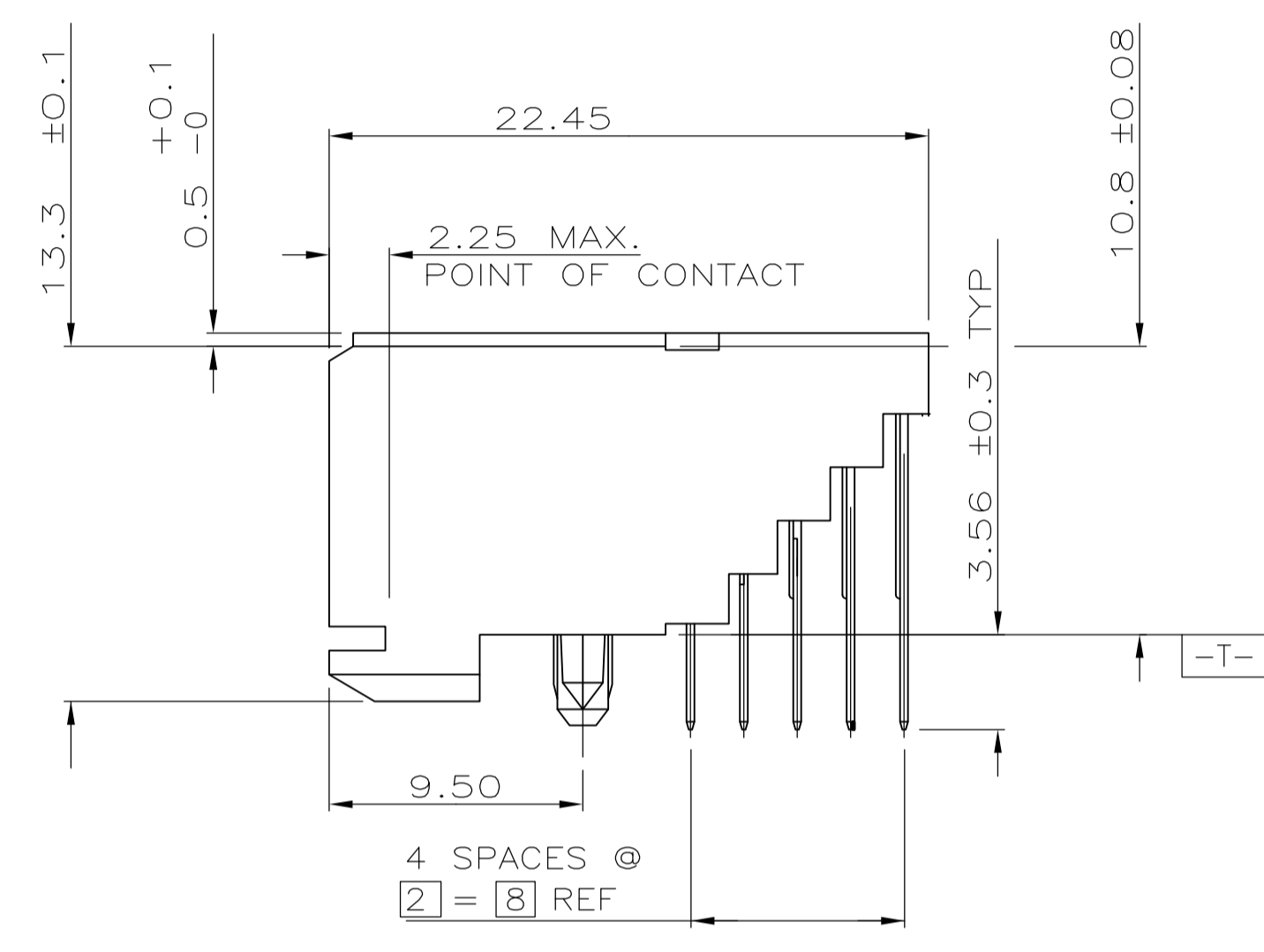
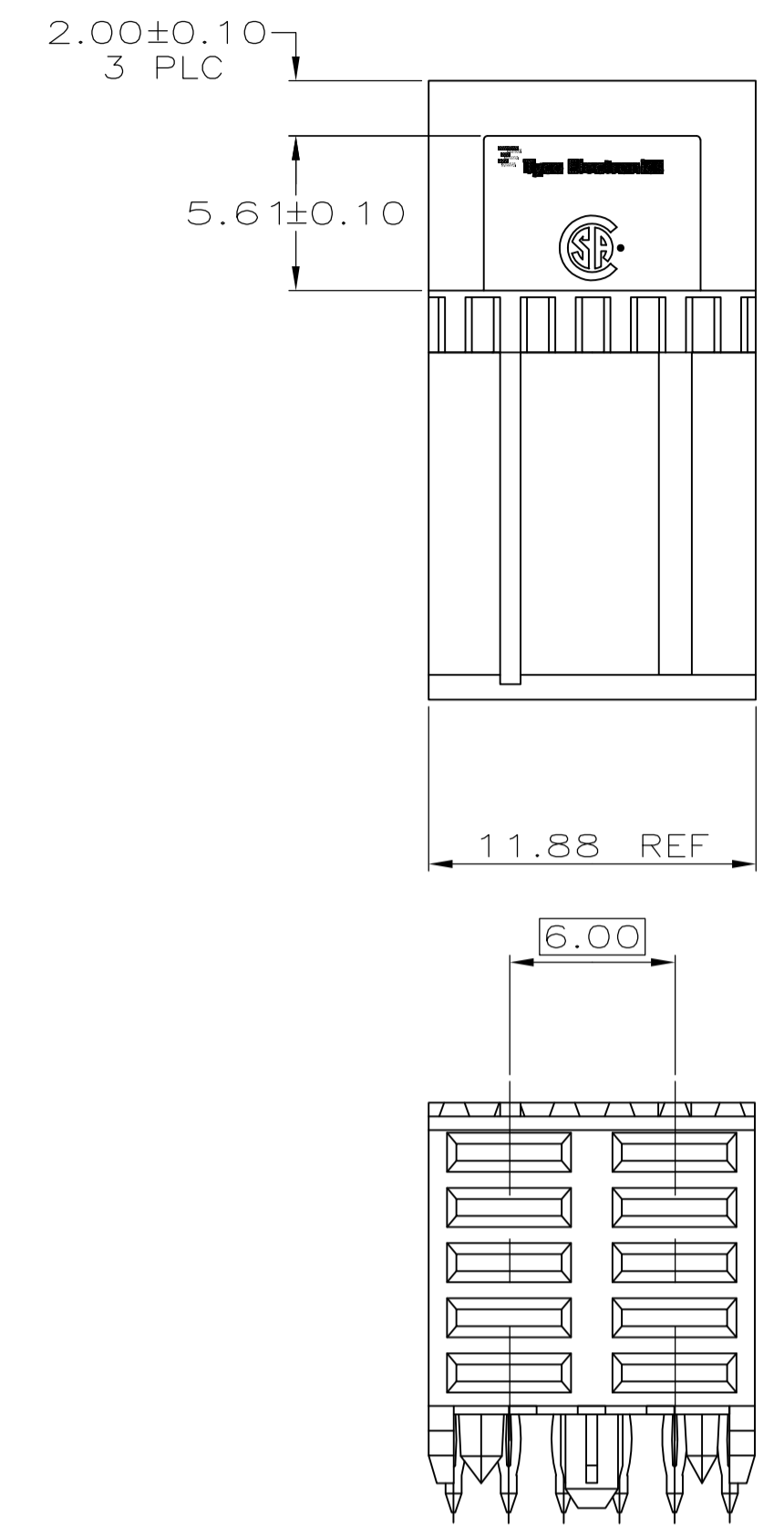


LOC		DIST		REVISIONS			
P	LTR	DESCRIPTION	DATE	DWN	APVD		
J1		REVISED PER ECO-08-009182	22APR08	DH	AS		



- 1 HOUSINGS MATERIAL: LIQUID CRYSTAL POLYMER.
- 2 CONTACT MATERIAL: COPPER ALLOY
- 3 CONTACT FINISH:
 UNDERPLATE (ENTIRE CONTACT):
 0.00127 MIN NICKEL PER SAE-AMS-QQ-N-290
 ON MATING SURFACES:
 FLASH GOLD PER ASTM B 488, OVER
 0.00076 MIN PALLADIUM-NICKEL OVER UNDERPLATE, OR
 0.00076 MIN GOLD PER ASTM B 488 OVER UNDERPLATE.
 ON LEADS:
 0.00127 MIN TIN-LEAD OVER UNDERPLATE.
 LUBRICATION (MIN MATING SURFACES):
 SURFACE CONDITIONER AFTER PLATING.

RECOMMENDED CIRCUIT PATTERN
 PER IPC-D300 TYPE II, CLASS C
 (COMPONENT SIDE)

FINISH	10	536649-1
	NO OF POSN	PART NUMBER

THIS DRAWING IS A CONTROLLED DOCUMENT.		DIN T. SHUEY 2-18-98	Tyco Electronics Corporation Harrisburg, PA 17105-3608	
DIMENSIONS: mm		CHK W. MILLHIMES 3-5-98	NAME ASSEMBLY, RECEPTACLE, 5 ROW, POWER MODULE, PRESS FIT LEAD, 3.56mm LEAD LENGTH, Z-PACK 2mm FB	
TOLERANCES UNLESS OTHERWISE SPECIFIED:		APVD W. MILLHIMES 3-5-98	APPLICATION SPEC	
0 PLC ± -		SIZE A1		
1 PLC ± -		CAGE CODE 00779		
2 PLC ± 0.13 [0.005]		DRAWING NO 536649		
3 PLC ± 0.013		RESTRICTED TO		
4 PLC ± -		CUSTOMER DRAWING		
ANGLES ± -		SCALE 4:1 SHEET 1 OF 1 REV J1		