

4

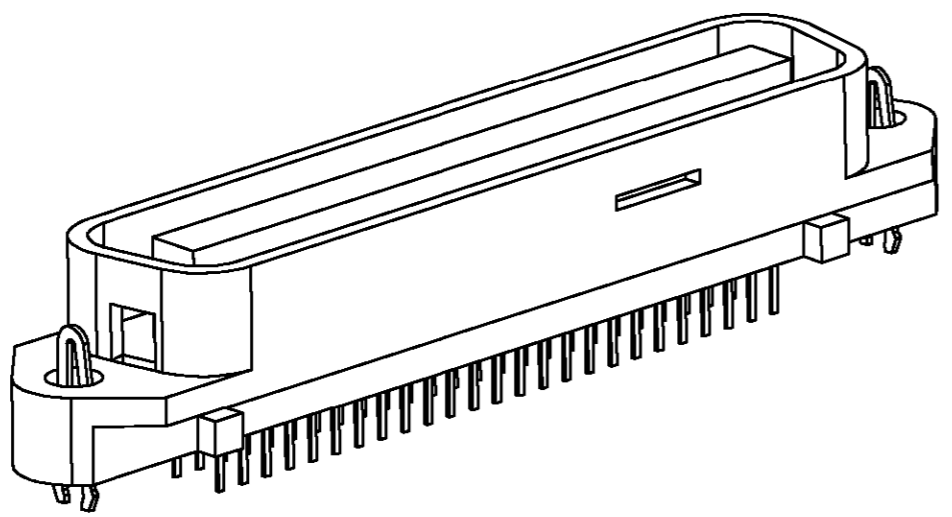
3

2

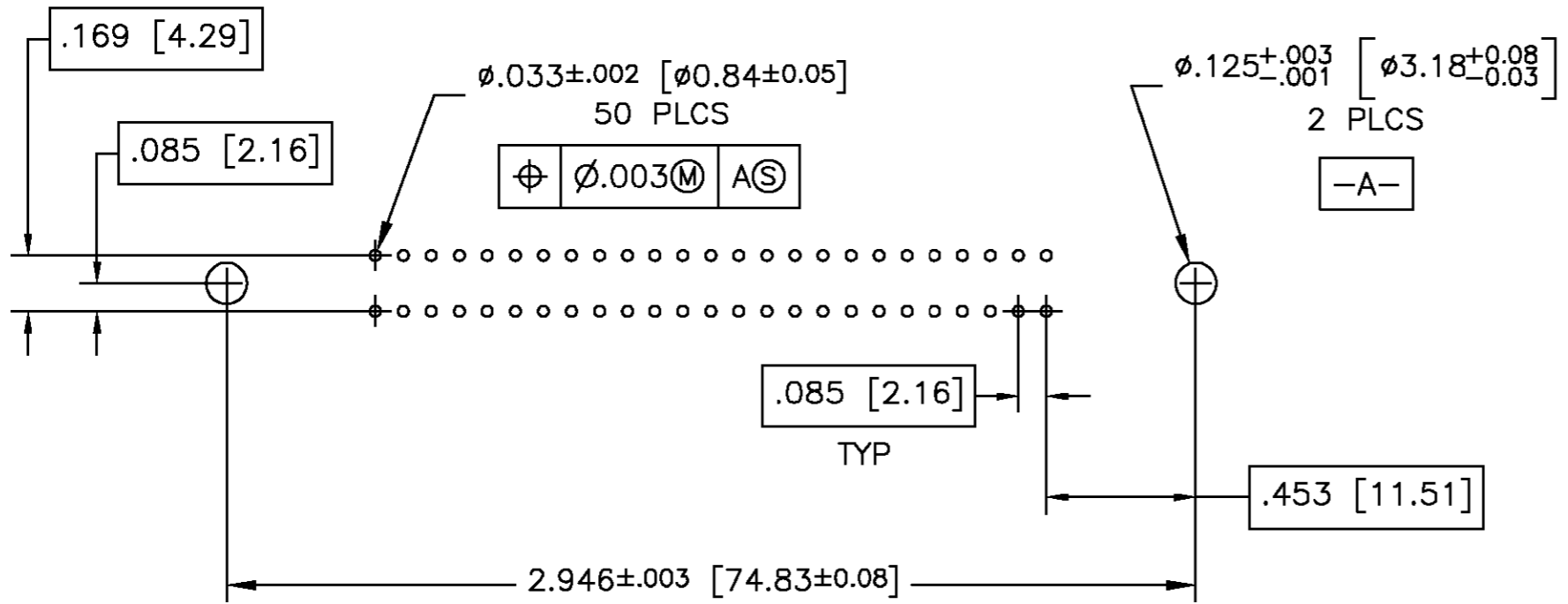
1

THIS DRAWING IS UNPUBLISHED. RELEASED FOR PUBLICATION .19  
 © COPYRIGHT 19 BY AMP INCORPORATED. ALL RIGHTS RESERVED.

LOC	DIST	REVISIONS			
P	LTR	DESCRIPTION	DATE	DWN	APVD
BG	1	0	INITIAL REL. PER LC00-0013-00	28JAN00	DM DGA



1. PRIMARY DIMENSIONS ARE IN INCHES. SECONDARY DIMENSIONS, IN BRACKETS, ARE IN MILLIMETERS.
2. NOMINAL P.C. BOARD THICKNESS: 0.062[1.58] THICK
3. CONNECTOR-TO-PCB RETENTION FORCE (PRE-SOLDER) SHALL BE 1KG FORCE (9.8N) MINIMUM.



RECOMMENDED P.C. BOARD MOUNTING DIMENSIONS

109517-1  
PART NO.

THIS DRAWING IS A CONTROLLED DOCUMENT.		DWN D.MURUGIAH 24JAN00	AMP Of Canada Ltd Markham, Ontario											
DIMENSIONS: INCHES [mm]		CHK M.SAYMAN 28JAN00												
TOLERANCES UNLESS OTHERWISE SPECIFIED:		APVD D.G.ALLEN 28JAN00												
<table border="1"> <tr><td>0 PLC</td><td>± -</td></tr> <tr><td>1 PLC</td><td>± -</td></tr> <tr><td>2 PLC</td><td>± -</td></tr> <tr><td>3 PLC</td><td>± -</td></tr> <tr><td>4 PLC</td><td>± -</td></tr> <tr><td>ANGLES</td><td>± -</td></tr> </table>		0 PLC		± -	1 PLC	± -	2 PLC	± -	3 PLC	± -	4 PLC	± -	ANGLES	± -
0 PLC	± -													
1 PLC	± -													
2 PLC	± -													
3 PLC	± -													
4 PLC	± -													
ANGLES	± -													
MATERIAL -	FINISH -	PRODUCT SPEC -	SIZE A3											
		APPLICATION SPEC -	CAGE CODE 00779											
		WEIGHT -	DRAWING NO C=109517											
		CUSTOMER DRAWING	RESTRICTED TO -											
		SCALE 2:1	SHEET 1 OF 1											
			REV 0											