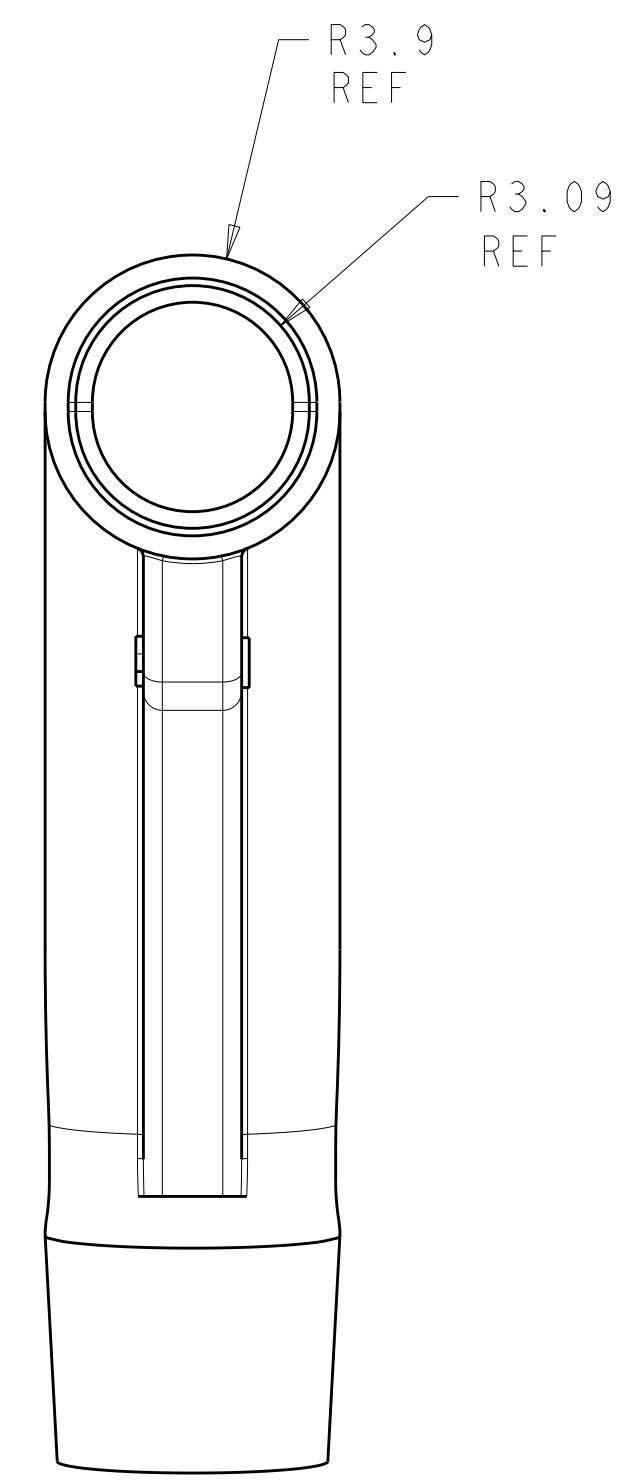
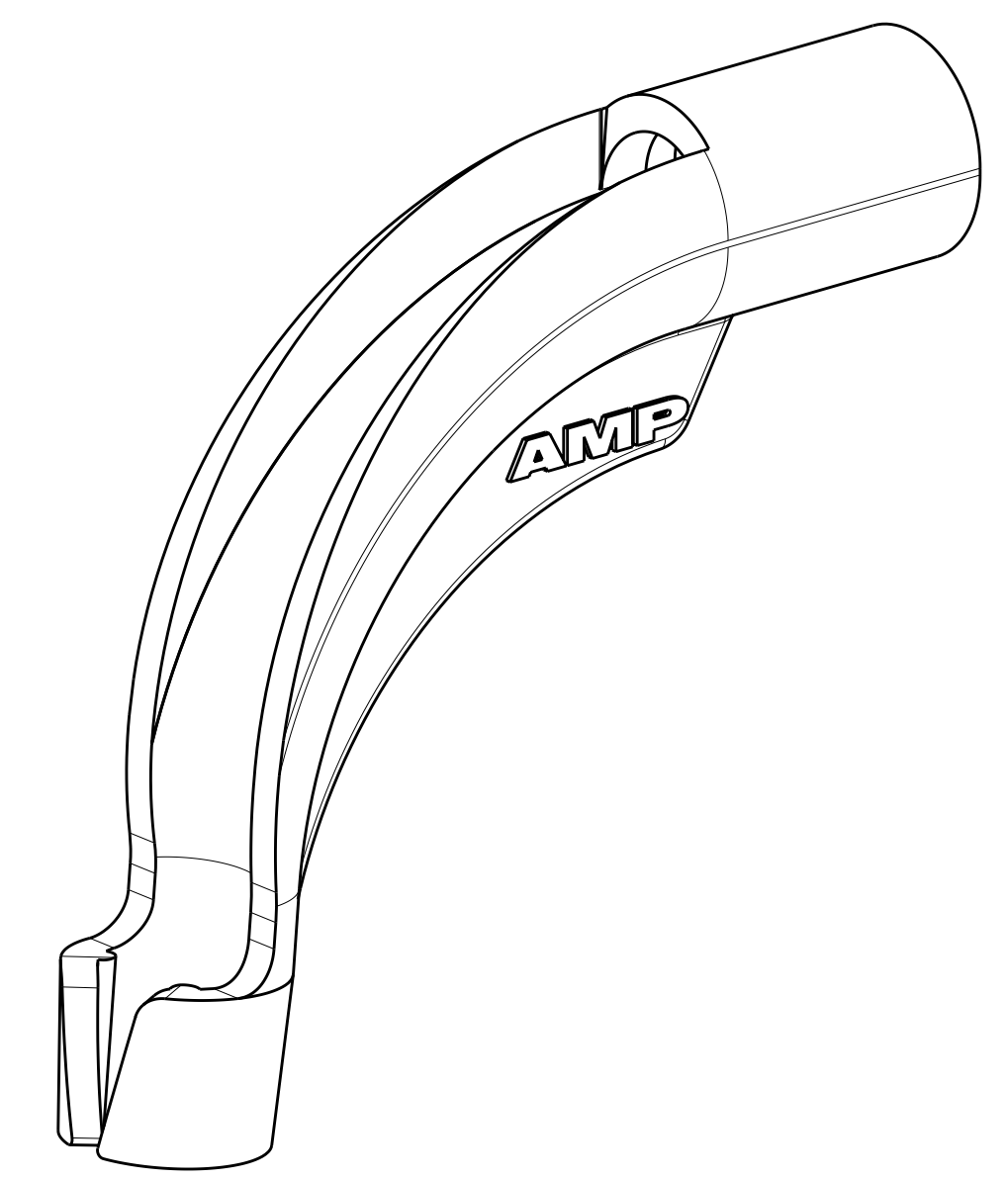
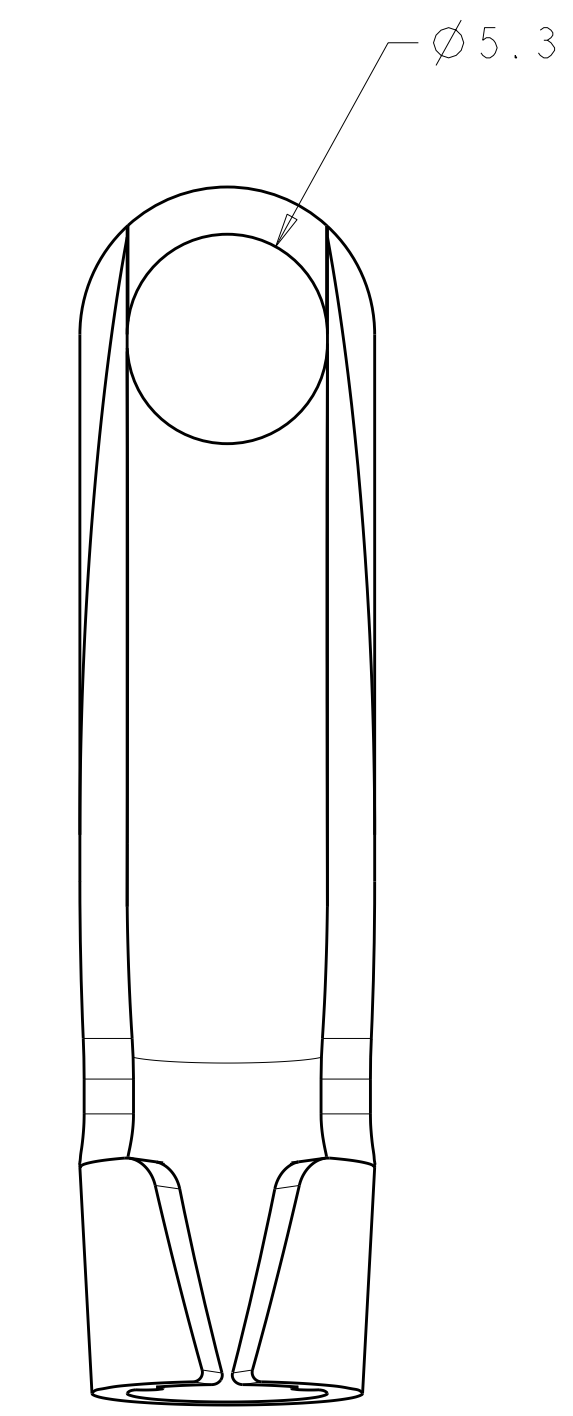
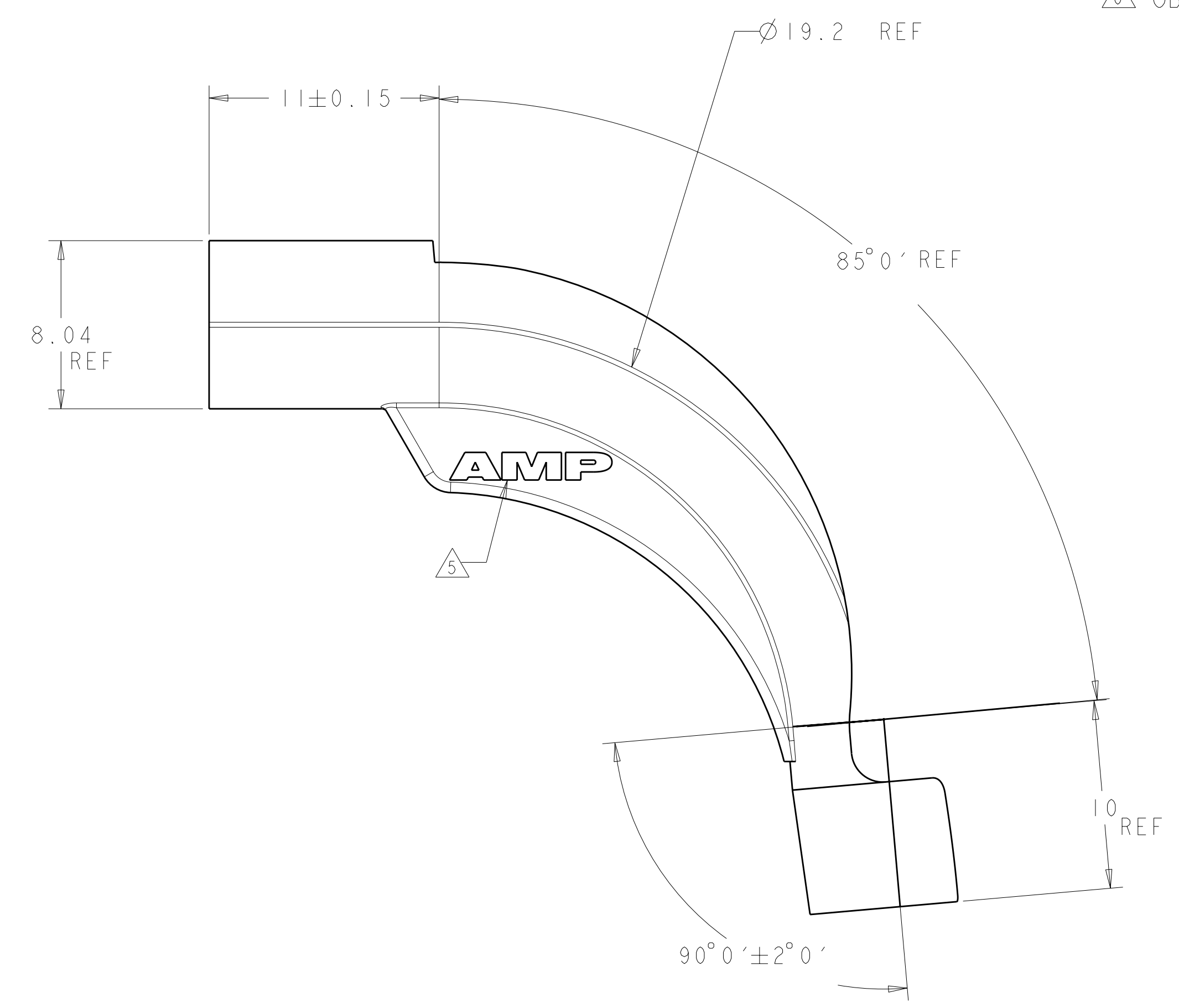


LOC	DIST	REV	DATE	BY	CHK	APPD
CE	16	0	27SEP2000	LE	SH	
		01	21NOV09	WK	AEQ	

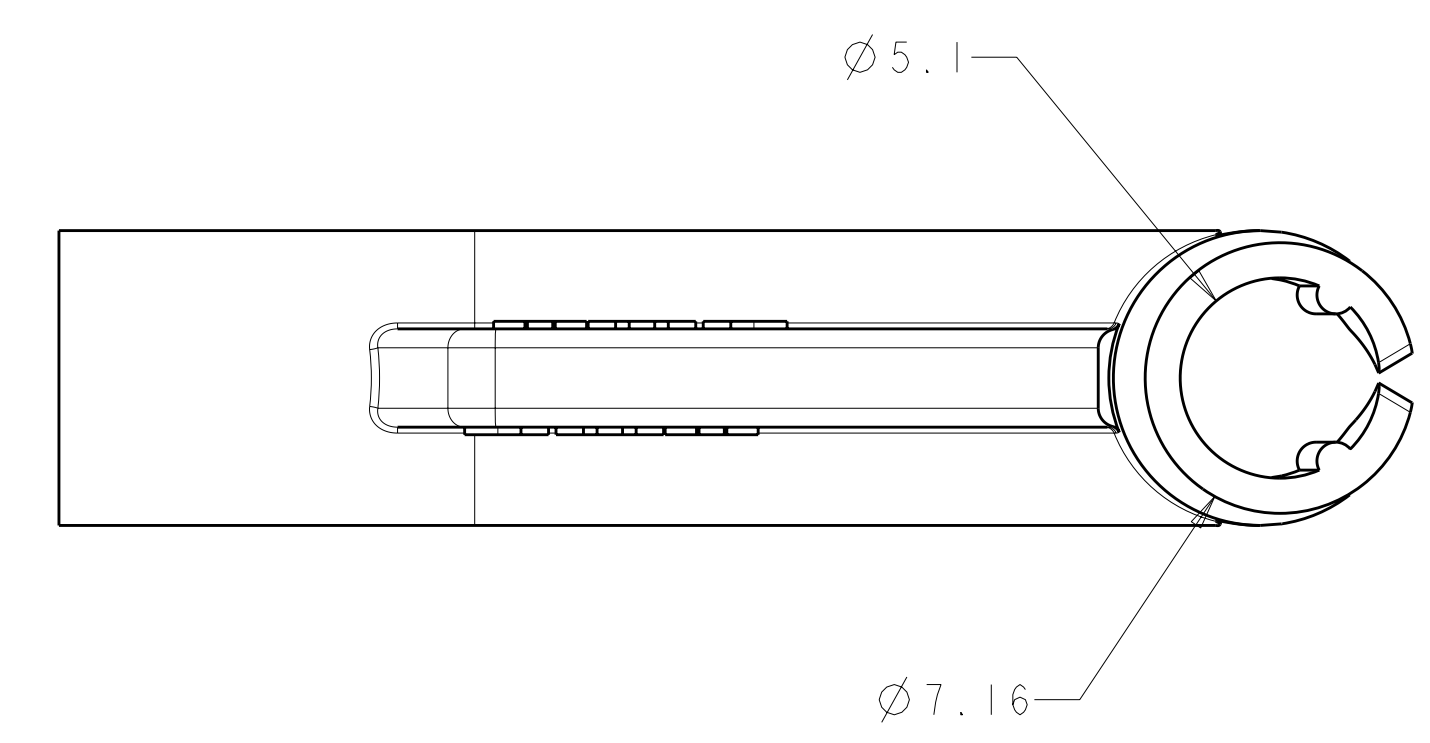
- △ MATERIAL: THERMOPLASTIC, COLOR:BLACK.
- △ MATERIAL: THERMOPLASTIC, COLOR:GREEN.
- △ MATERIAL: THERMOPLASTIC, COLOR:BLUE.
- △ MATERIAL: THERMOPLASTIC, COLOR:RED.
- △ MOLDED IN AMP LOGO FOR -1 THRU -4
- △ OBSOLETE PARTS: OBSOLETE CIS STREAMLINING PER D.RENAUD/D.SINISI



SCALE 5:1



SCALE 4:1



AMP LOGO	COLOR	MATERIAL	PART NUMBER
△	RED	△	1374999-8
△	BLUE	△	1374999-7
△	GREEN	△	1374999-6
△	BLACK	△	1374999-5
△	RED	△	1374999-4
△	BLUE	△	1374999-3
△	GREEN	△	1374999-2
△	BLACK	△	1374999-1

DIMENSIONS: mm TOLERANCES UNLESS OTHERWISE SPECIFIED: 0 PLC ±0.25 1 PLC ±0.2 2 PLC ±0.13 3 PLC ± 4 PLC ± ANGLES ± FINISH ±		DWN: 25MAY2000 CHK: MORNINGSTAR S. HILKER 07JUL2000 APPD: F. ABENDSCHEIN NAME: OPEN DIRECTOR LIGHTRAY MPX PRODUCT SPEC: - APPLICATION SPEC: - WEIGHT: - CUSTOMER DRAWING		Tyco Electronics Corporation Harrisburg, PA 17105-3608 SIZE: A100779 CAGE CODE: C=1374999 SCALE: 5:1 SHEET: 1 OF 1 REV: 01	
--	--	--	--	--	--