

4

3

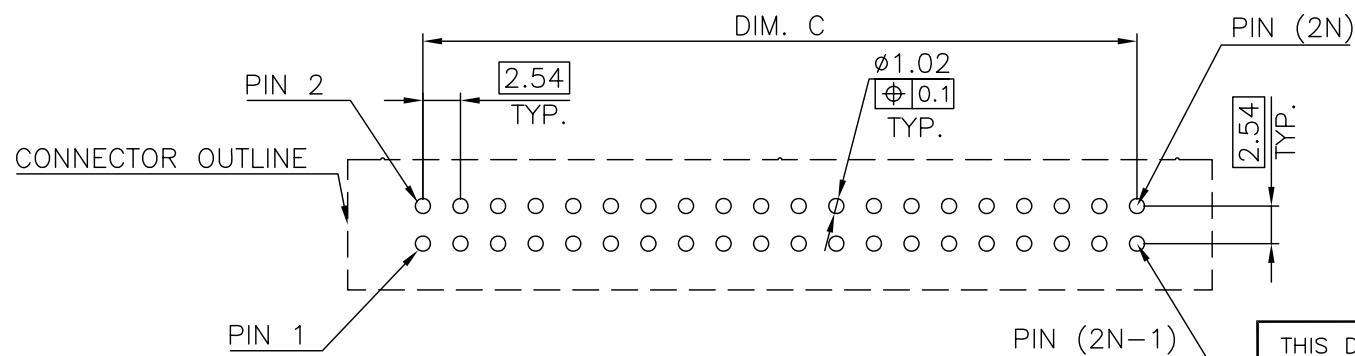
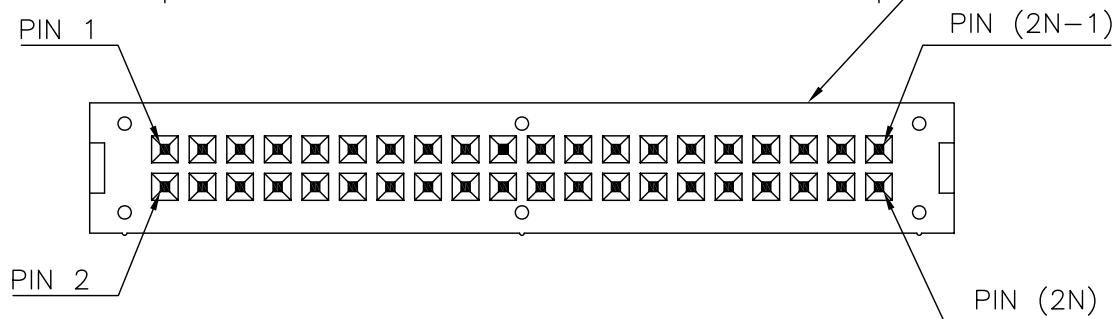
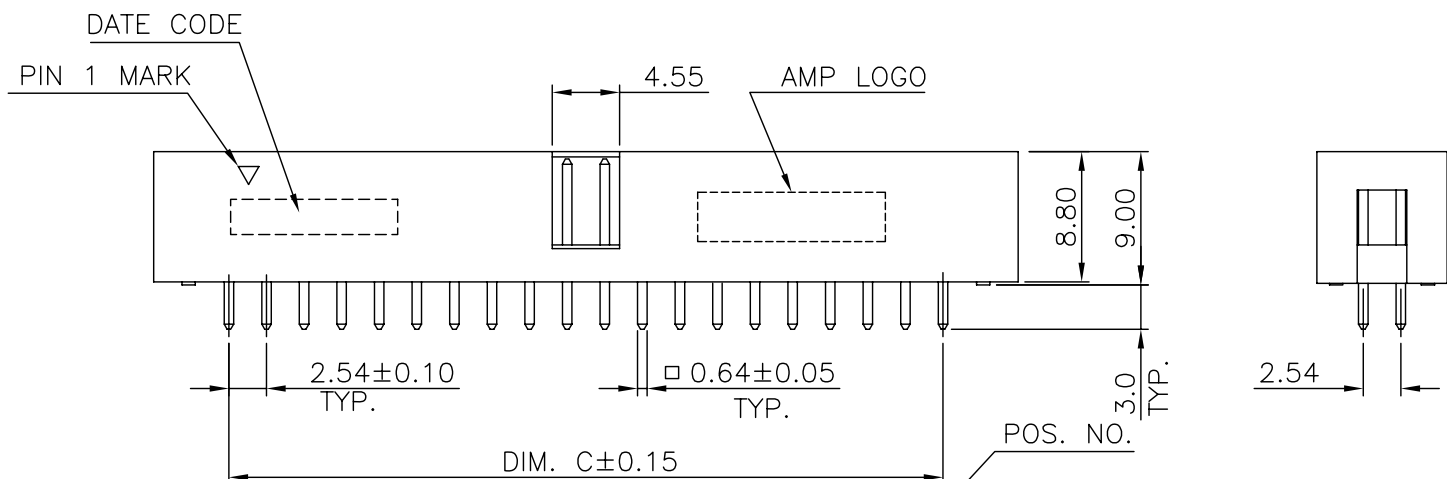
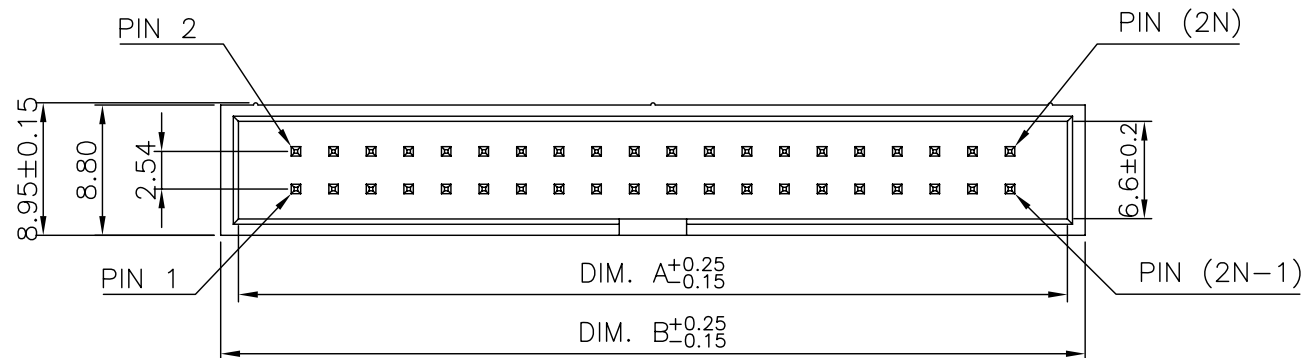
2

1

THIS DRAWING IS UNPUBLISHED. RELEASED FOR PUBLICATION AUG ,2006.

© COPYRIGHT BY TYCO ELECTRONICS CORPORATION. ALL RIGHTS RESERVED.

LOC	DIST	REVISIONS					
		P	LTR	DESCRIPTION	DATE	DWN	APVD
DW	-	C		REVISED (ECR-09-005408)	05MAR09	BH	WK



RECOMMENDED PCB LAYOUT TOLERANCE: ±0.05

NOTES:

- MATERIAL:
 - HOUSING: PA46, UL94V-0; COLOR: SEE TABLE.
 - CONTACTS: BRASS.
- FINISH:
 - CONTACT: GOLD PLATED (SEE TABLE) OVER 1.27um [50u"] MIN. NICKEL UNDERPLATING ALL OVER
- RECOMMENDED PCB THICKNESS : 1.60mm
- WAVE SOLDER CAPABLE TO 265°C PER TE TEST SPEC. 109-202, CONDITION B.
- NET WEIGHT:
 - 34P :4.05 GRAMS
 - 40P :4.65 GRAMS

GOLD PLATING THICKNESS	LACK PIN#	HSG COLOR	DIM. C	DIM. B	DIM. A	PART NUMBER	POS. NO.	
1.27 um [15u"] MIN.	#3, #5	BLACK	40.64	50.80	48.60	1734026-4	2- -6	
		BLACK					2- -5	
	#5	NATURAL WHITE	48.26	58.42	56.02	1734026-4	1- -4	
		BLUE (2945C)					1- -6	
	GOLD FLASH	#3, #5	BLACK	40.64	50.80	48.60	1734026-1	2- -3
			BLACK					2- -2
#5		NATURAL WHITE	48.26	58.42	56.02	1734026-1	1- -1	
		BLUE (2945C)					1- -3	
#20		BLACK	48.26	58.42	56.02	1734026-1	1- -2	
		NATURAL WHITE					1- -1	
#20	BLACK	48.26	58.42	56.02	1734026-1	1- -3		
	NATURAL WHITE					1- -2		

THIS DRAWING IS A CONTROLLED DOCUMENT.		DWN B. HSING	05MAR2009		Tyco Electronics Corporation Tyco Electronics Taipei, Taiwan	
DIMENSIONS: MM		CHK S. CHIEN	05MAR2009		NAME	
TOLERANCES UNLESS OTHERWISE SPECIFIED:		APVD W. KODAMA	05MAR2009		PRODUCT SPEC	
0 PLC ± -		108-57390		QUALIFICATION TEST REPORT		
1 PLC ± 0.30		501-57422		CUSTOMER DRAWING		
2 PLC ± 0.20		WEIGHT SEE NOTE		SCALE		
3 PLC ± 0.15		A3 00779 C=1734026		SHEET 1 of 2		
4 PLC ± -		REV C		RESTRICTED TO		
ANGLES ± -		CUSTOMER DRAWING		SHEET 1 of 2		
MATERIAL SEE NOTE		FINISH SEE NOTE		REV C		

THIS DRAWING IS UNPUBLISHED.

RELEASED FOR PUBLICATION

AUG ,2006.

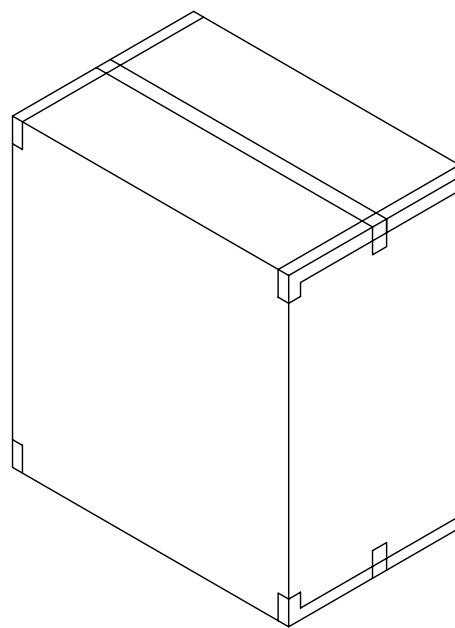
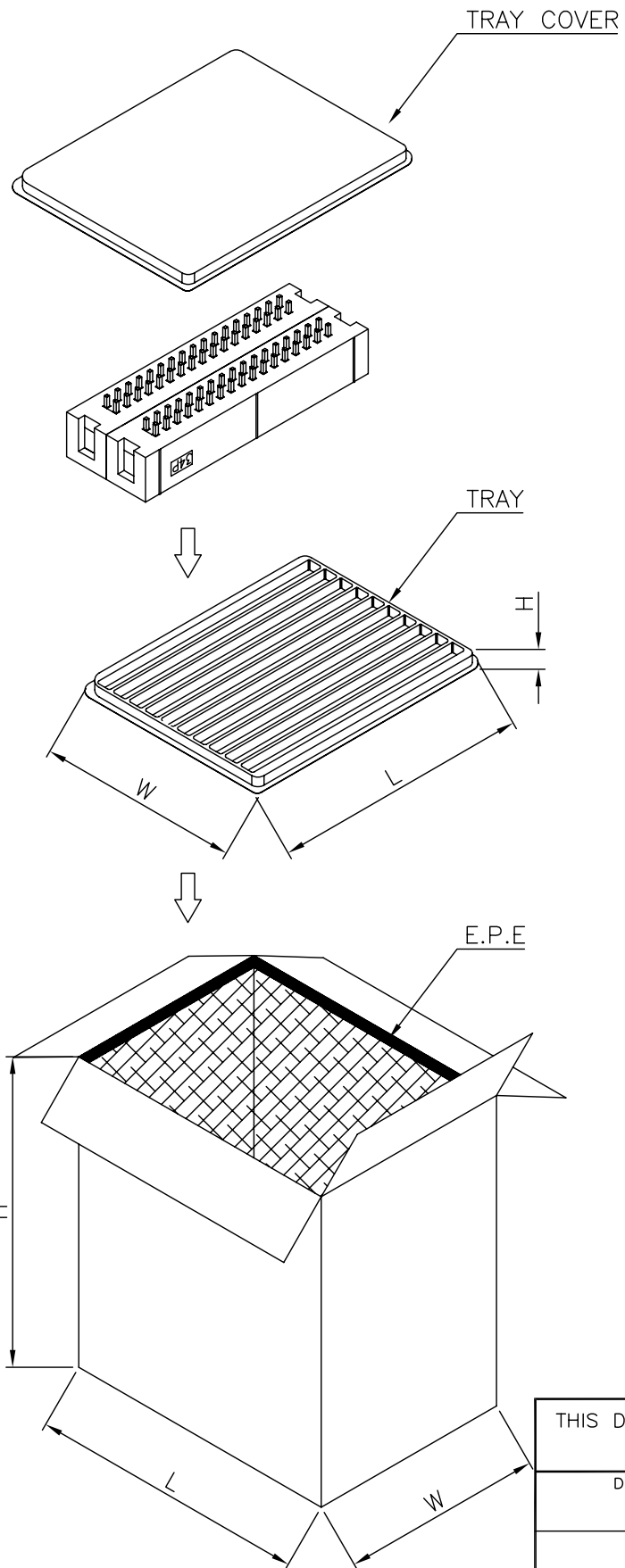
© COPYRIGHT BY TYCO ELECTRONICS CORPORATION. ALL RIGHTS RESERVED.

LOC DW

DIST

REVISIONS

P	LTR	DESCRIPTION	DATE	DWN	APVD
		SEE SHEET 1.			



NOTES :

- 1. MATERIAL:
 - 1.1 TRAY: PVC
 - 1.2 BOX: CORRUGATED FIBERBOARD
- 2. DIMENSION :
 - 2.1 TRAY: L=34.5, W=27, H=2
 - 2.2 BOX: L=390, W=310, H=400
- 3. QUANTITY : SEE TABLE
- 4. WEIGHT : SEE TABLE

13.50	11.65	2500	100	40P
14.0	12.15	3000	120	34P
G/W (kg)	N/W (kg)	QUANTITY	PCS/TRAY	POS. NO.

THIS DRAWING IS A CONTROLLED DOCUMENT.		DWN		Tyco Electronics Corporation Taipei, Taiwan	
DIMENSIONS: MM		CHK		NAME	
TOLERANCES UNLESS OTHERWISE SPECIFIED:		APVD		BOX HEADER 2.54 PITCH VERTICAL, DIP SERIES D	
0 PLC ± -		PRODUCT SPEC		SIZE	
1 PLC ± -		APPLICATION SPEC		CAGE CODE	
2 PLC ± -		WEIGHT		DRAWING NO	
3 PLC ± -		CUSTOMER DRAWING		RESTRICTED TO	
4 PLC ± -		SCALE		SHEET	
ANGLES ± -		—		2 OF 2	
FINISH		—		REV C	
MATERIAL		—		A3 00779 C-1734026	