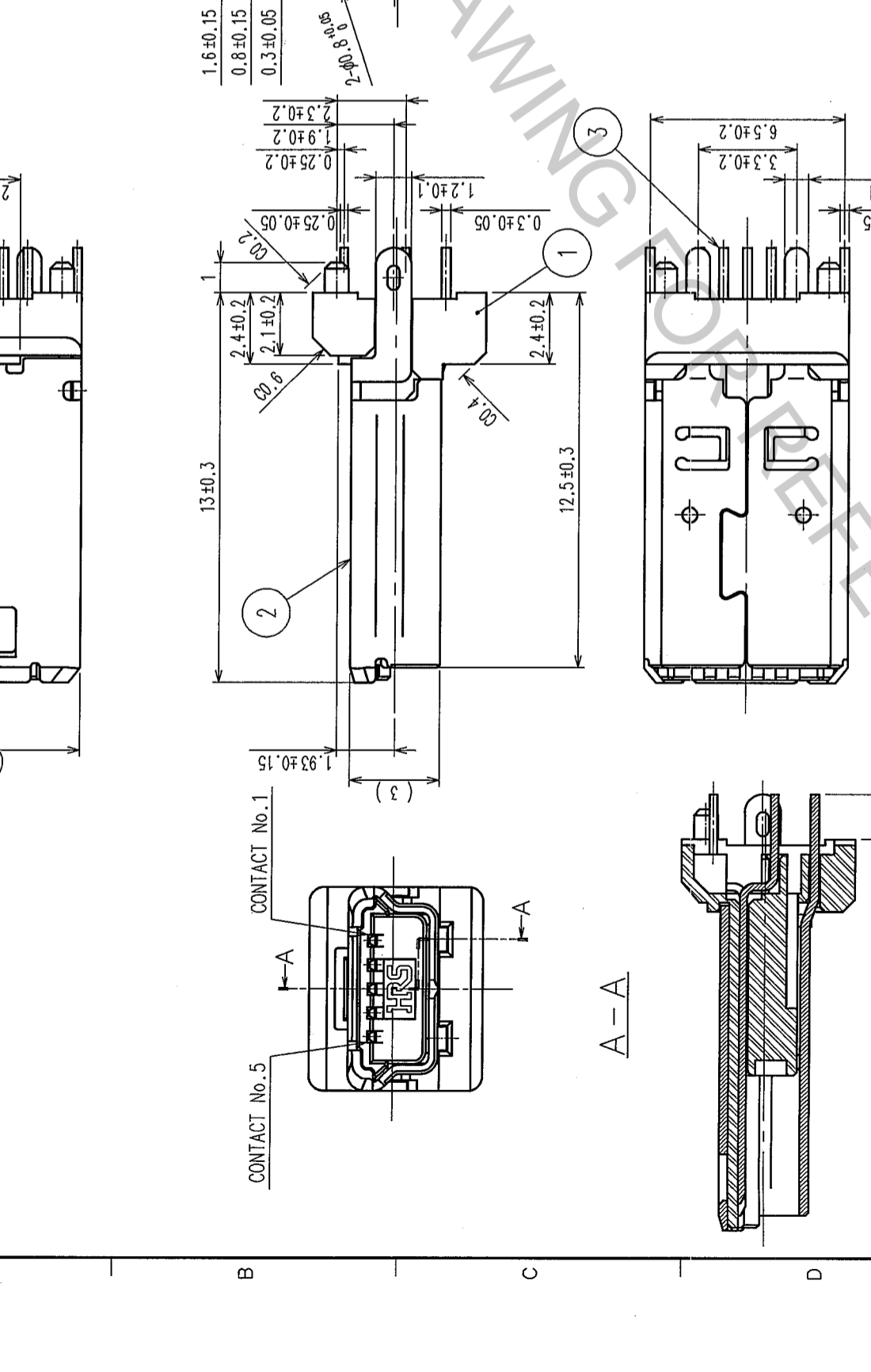
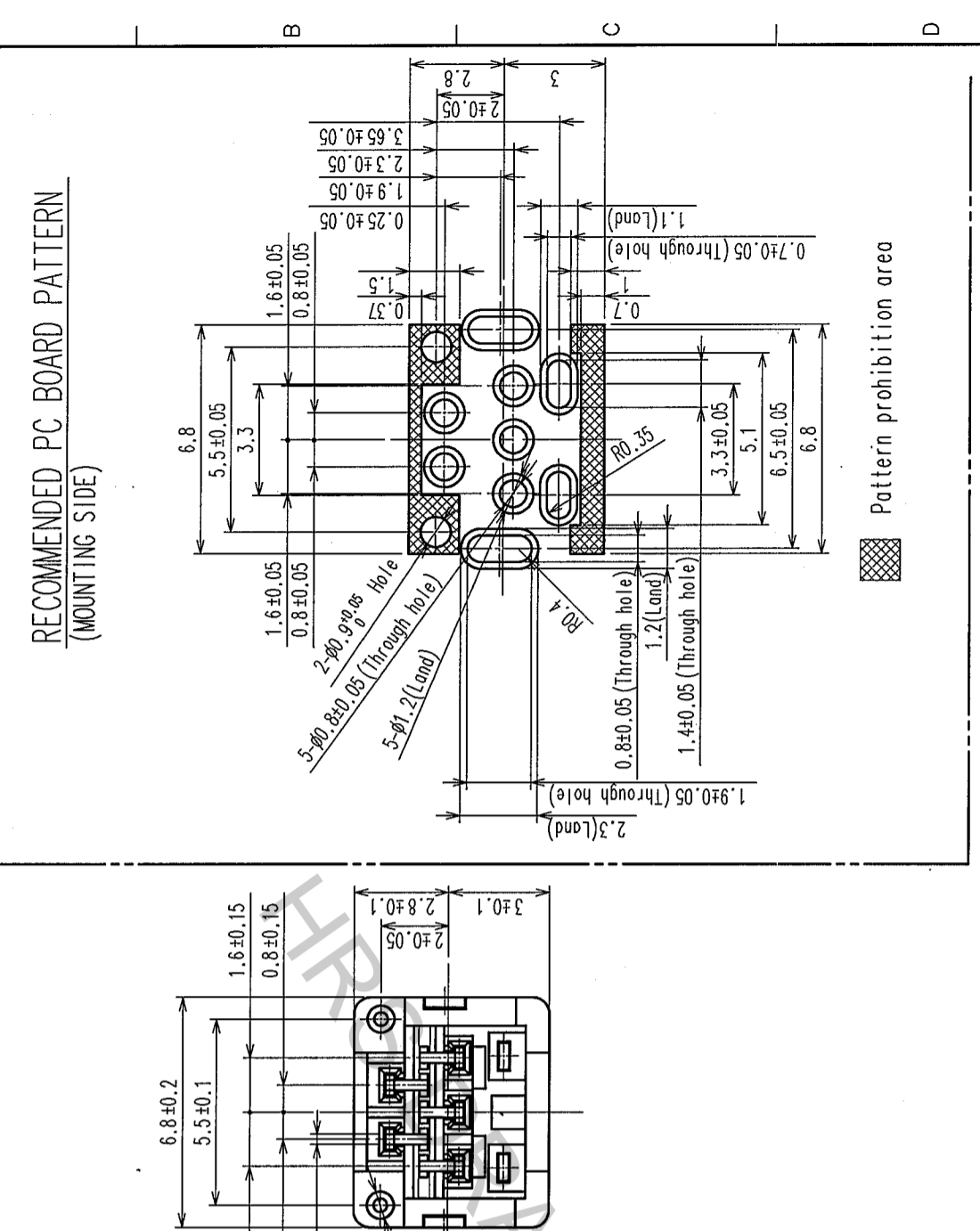


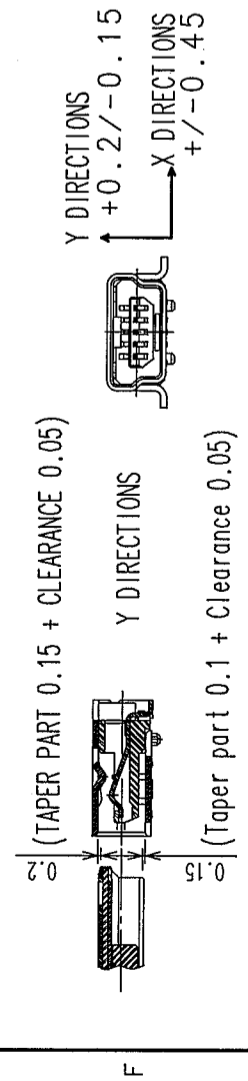
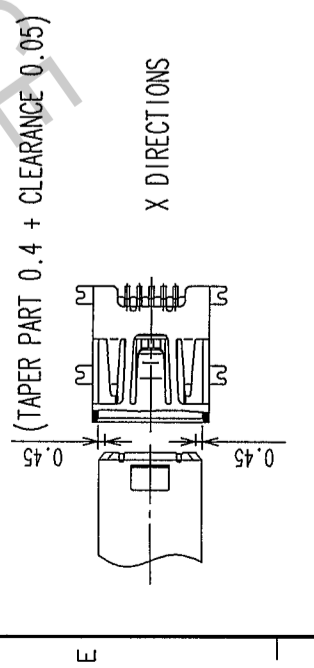
COUNT	DESCRIPTION OF REVISIONS	BY	CHKD	DATE	COUNT	DESCRIPTION OF REVISIONS	BY	CHKD	DATE

COUNT	DESCRIPTION OF REVISIONS	BY	CHKD	DATE



NOTE 1. INTERFACE DIMENSIONS CONFORM TO USB2.0 STANDARDS.

DIMENSIONS OF GAIDING (2:1)



2	STEEL	TIN PLATING							
1	LCP	BLACK UL94V-0	3	COPPER ALLOY	GOLD PLATING				
NO.	MATERIAL	FINISH, REMARKS	NO.	MATERIAL	FINISH, REMARKS				
CODE NO. (OLD)			DRAWN	DESIGNED	CHECKED	APPROVED	RELEASED		
			<i>J. Minna</i>	<i>J. Minna</i>	<i>M. Kobayashi</i>	<i>J. Minna</i>			
			05-05-07	05-05-07	05-05-07	05-05-07			
DRAWING NO.	EDC3-124614		PART NO.	UX20-MB-5P					
SCALE	5 : 1		CODE NO.	CL240-0009-0					
UNITS	MM								