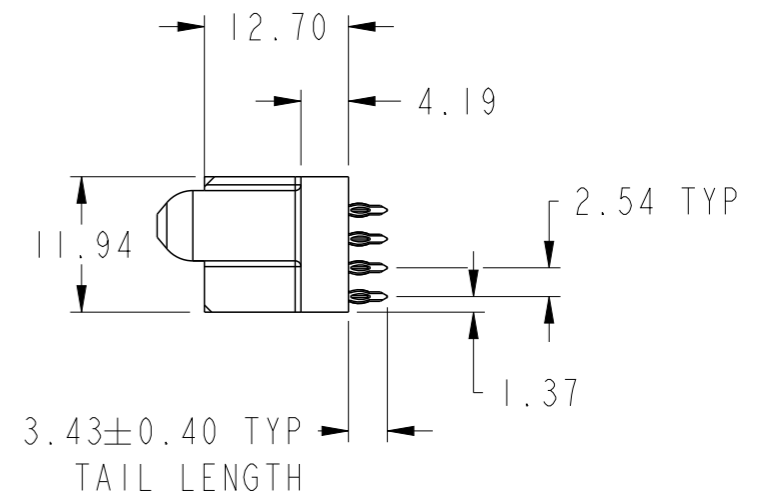
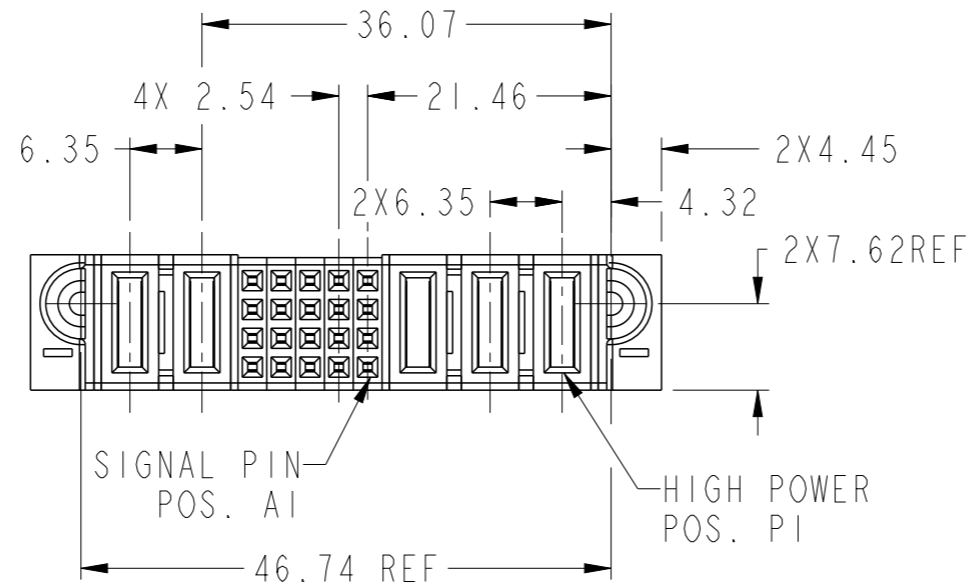
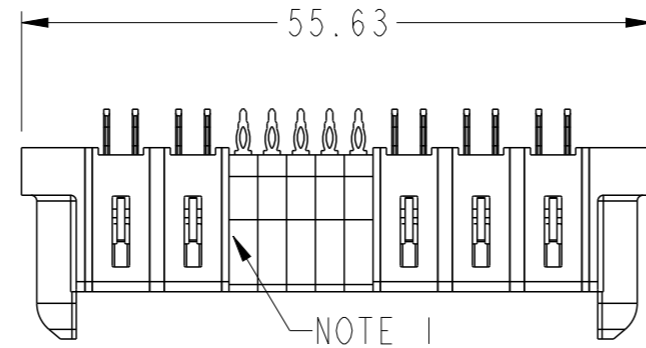
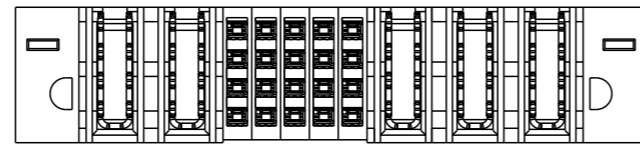


PRODUCT NUMBER SEE SHEET 2

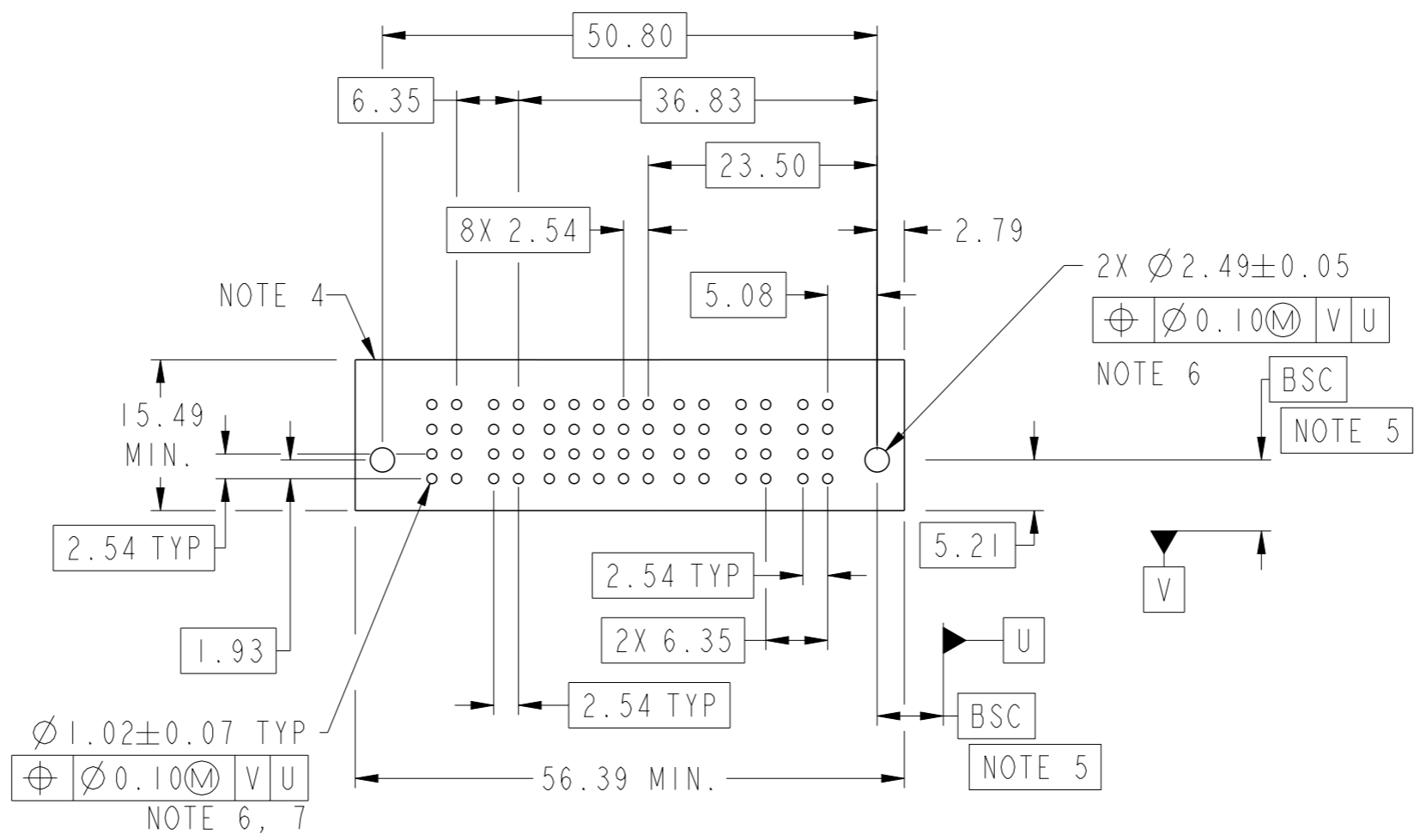


| | | | | | | | | | | |
|---------------------------------------|--|---------|----------------|------------|----------------|----------|--------------|------------------------|----------|----------|
| spec ref | | dr | Xie Bob | 2013/11/05 | projection | MM | size | A3 | scale | 3:2 |
| tolerance std | | eng | Xie Bob | 2014/02/17 | | | ecn no | | - | |
| ASME Y14.5 | | chr | Li-He | 2014/02/16 | | | rel level | | Released | |
| TOLERANCES UNLESS OTHERWISE SPECIFIED | | appr | Pei-Ming Zheng | 2014/02/17 | product family | | PowerBlade+ | | | |
| surface | | linear | 0.X | ±0.50 | | part no | | 3HP+20S+2HP | | rev A |
| | | | 0.XX | ±0.25 | | dwg no | | 10106131-5005002 | | |
| | | | 0.XXX | ±0.10 | | cat. no. | | Product - Customer Drw | | |
| ASME Y14.5 | | angular | 0° | ±2° | www.fci.com | | sheet 1 of 3 | | | |

Copyright FCI. FCI

| | | | | | | | | | | | | | |
|--------------------|------|----|----|--------|---|---|---|---|----|----|----|----|----|
| PRODUCT NO. | ROWS | HP | | SIGNAL | | | | | HP | | | E2 | |
| | | E1 | P5 | P4 | 5 | 4 | 3 | 2 | 1 | P3 | P2 | | P1 |
| 10106131-5005002LF | DCBA | HG | HG | F | F | F | F | F | F | F | F | F | F |

| CODE | DESCRIPTION |
|------|--------------------------------|
| F | STD SIGNAL CONTACT |
| HD | MFBL HIGH POWER CONTACT (3.43) |
| HG | STD HIGH POWER CONTACT (3.43) |



Copyright FCI.

| | | | | | | | | |
|-------------|----------------|------------|--|-------------|----------------------------|----|--------------|-----|
| dr | Xie Bob | 2013/11/05 | projection | MM | size | A3 | scale | 3:2 |
| eng | Xie Bob | 2014/02/17 | | | ecn no | | - | |
| chr | Li-He | 2014/02/16 | | | rel level | | Released | |
| appr | Pei-Ming Zheng | 2014/02/17 | product family | PowerBlade+ | | | | |
| | | | title 3HP+20S+2HP VT PF RECEPTACLE | | dwg no 10106131-5005002 | | rev A | |
| www.fci.com | | | cat. no. | | Product - Customer Drw | | sheet 2 of 3 | |

A

B

C

D

A

B

C

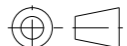
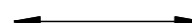

D

NOTES:

- 1) "FCI", PART NUMBER AND DATE CODE TO BE MARKED ON THIS SURFACE.
THE MARK CAN BE OMITTED IF THERE IS NOT ENOUGH SPACE ON THIS SURFACE.
- 2) MATERIALS:
-HOUSING - GLASS FILLED WITH HIGH TEMP THERMOPLASTIC, UL94V-0.
-SIGNAL CONTACT - COPPER ALLOY.
-POWER CONTACT - HIGH CONDUCTIVITY COPPER ALLOY.
- 3) PLATING SPECIFICATION REFER TO FCI 10116351
- 4) DENOTES CONNECTOR KEEP OUT ZONE.
- 5) DATUM AND BASIC DIMENSIONS WERE ESTABLISHED BY CUSTOMER.
- 6) ALL HOLE DIAMETERS ARE FINISHED HOLE SIZES.
- 7) 1.15 ± 0.025MM DRILLED HOLE PLATED WITH 0.00762MM MIN Sn
OVER 0.0254-0.0762MM Cu PLATING TO ACHIEVE A 1.02 ± 0.07MM HOLE.
- 8) PRODUCT SPECIFICATION REFER TO FCI GS-12-658.
APPLICATION SPECIFICATION REFER TO FCI GS-20-141.
PRODUCT PACKAGED IN TRAYS, REFER TO FCI GS-14-1502.
- 9) THE VOID CORING IN BETWEEN POWER MODULES, SIGNAL
MODULES AND END MODULES ARE OPTIONAL AND THE SHAPE
MAY BE DIFFERENT FOR OPTIMIZE THE MOLDING PROCESS. THE
VOID CORING WILL NOT EFFECT TO PRODUCT FUNCTION.



Copyright FCI.

| | | | | | | | | |
|---|----------------|--|---|---|--------------|----------|-------|-----|
| dr | Xie Bob | 2013/11/05 | projection  | MM  | size | A3 | scale | 1:1 |
| eng | Xie Bob | 2014/02/17 | | | ecn no | - | | |
| chr | Li-He | 2014/02/16 | | | rel level | Released | | |
| appr | Pei-Ming Zheng | 2014/02/17 | product family | PowerBlade+ | | | | |
|  | | title 3HP+20S+2HP VT PF RECEPTACLE | | dwg no 10106131-5005002 | rev A | | | |
| www.fci.com | | cat. no. | Product - Customer Drw | | sheet 3 of 3 | | | |