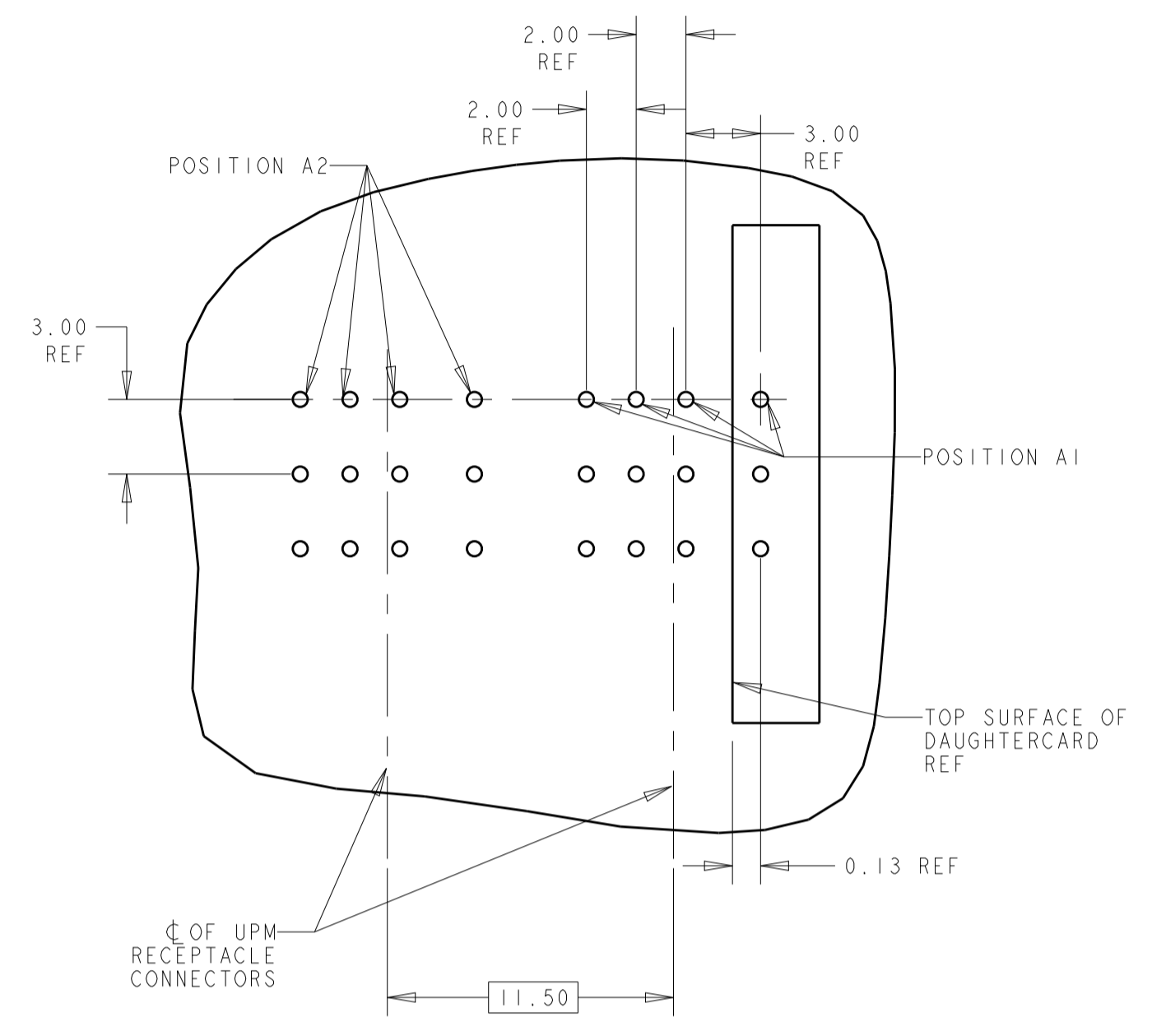
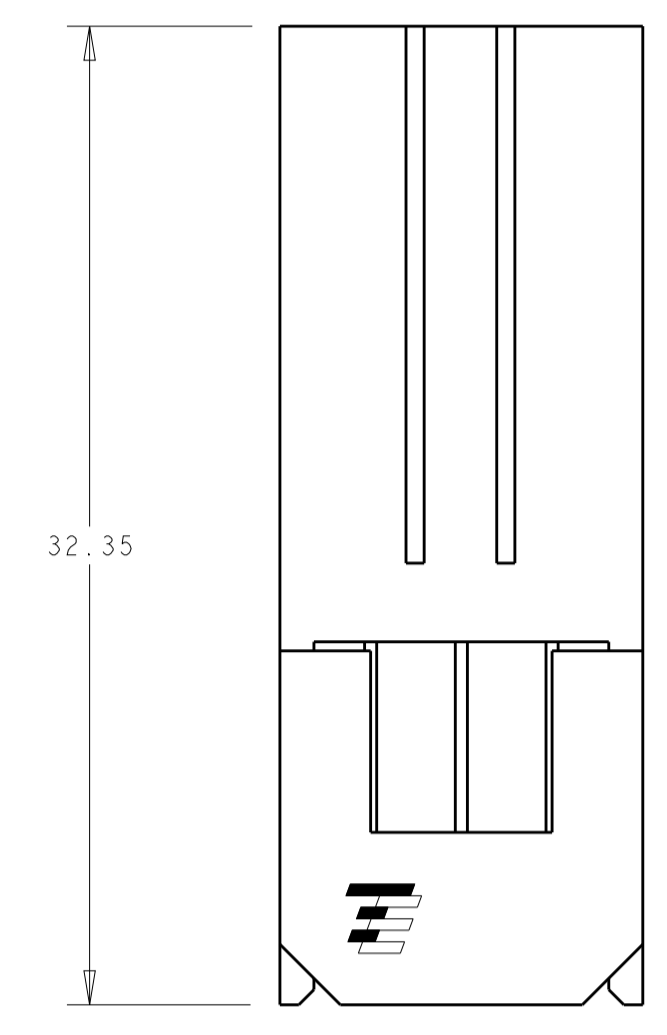


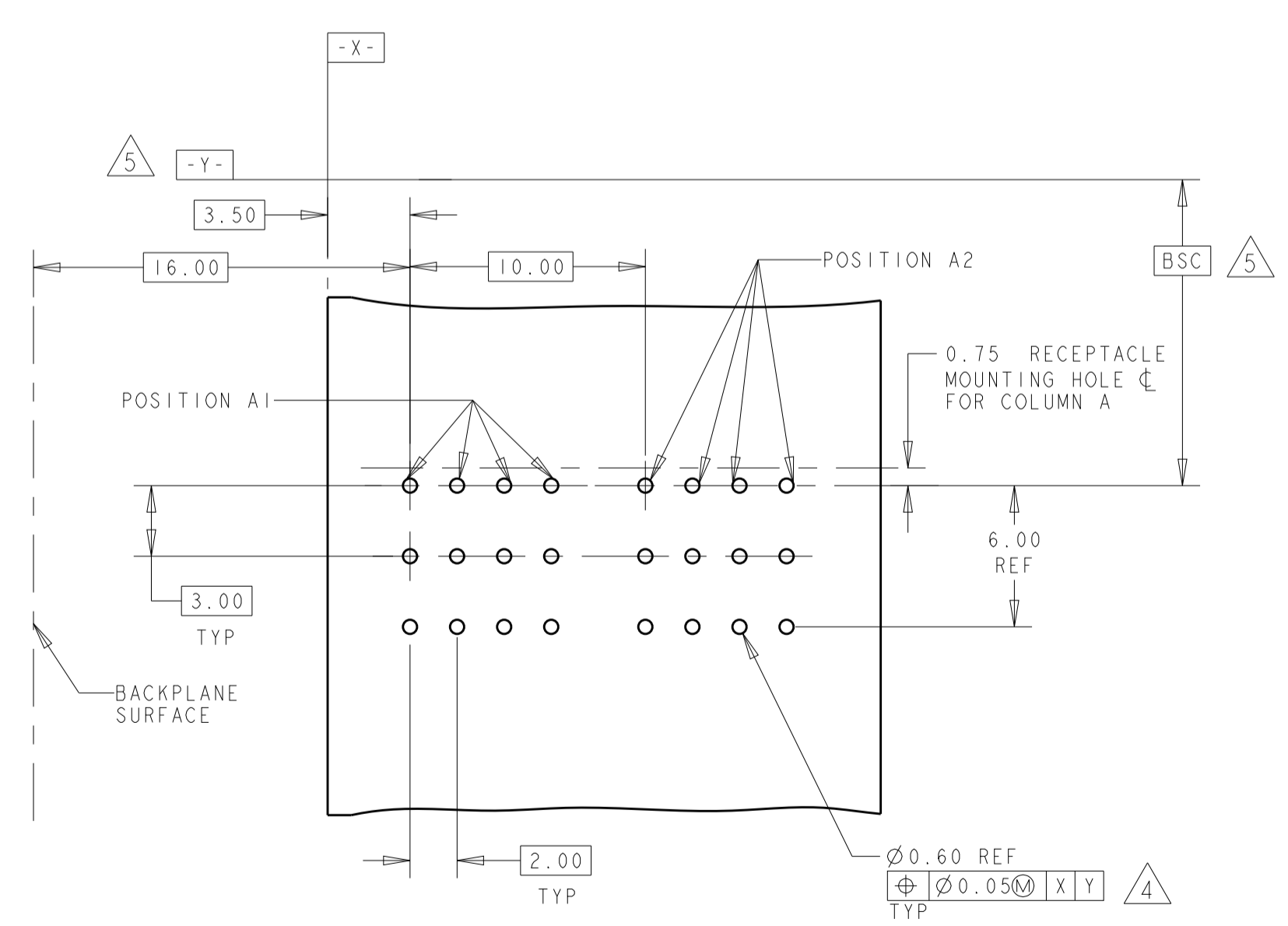
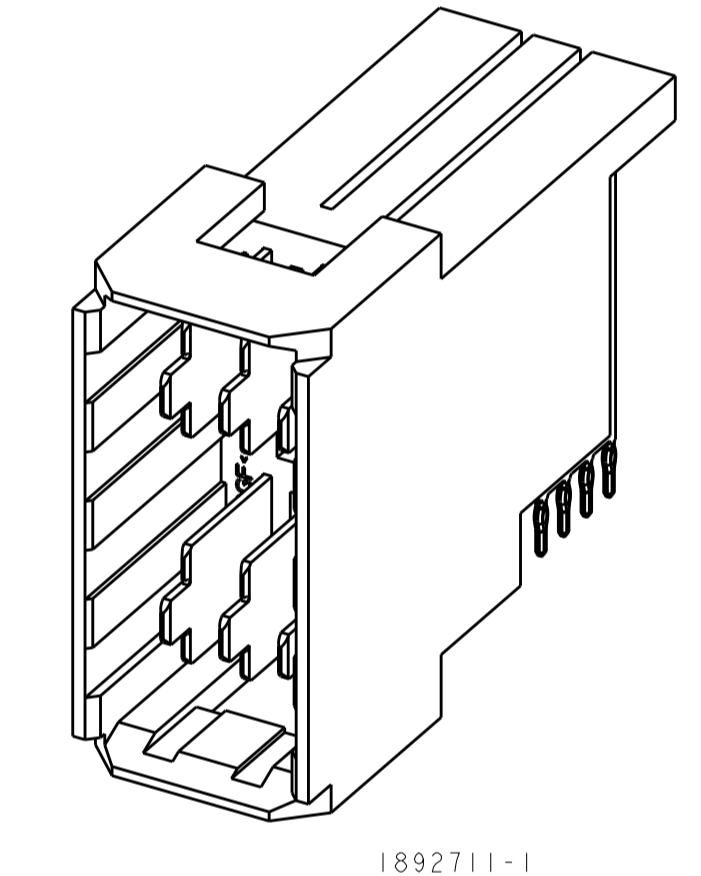
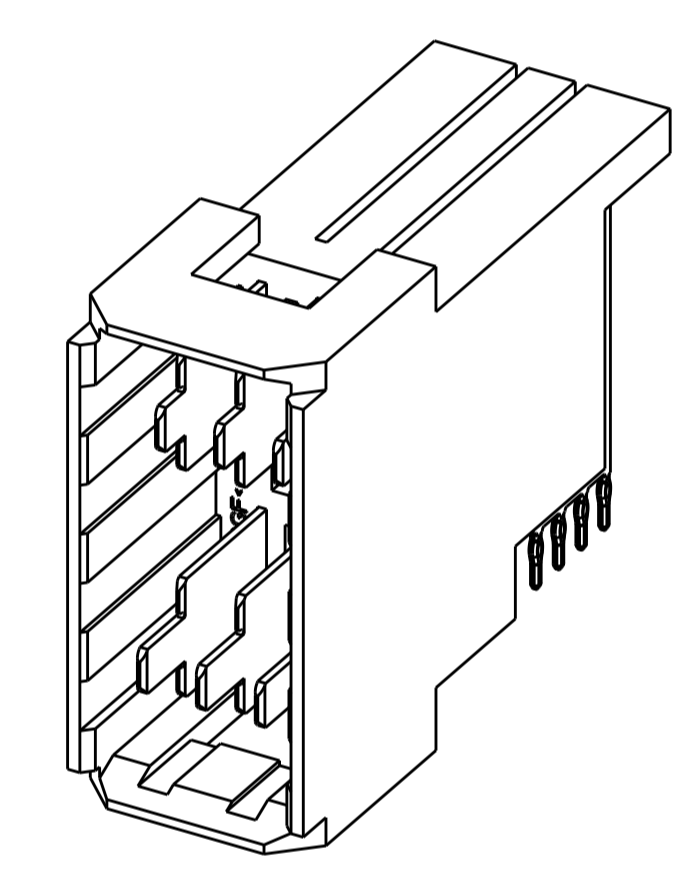
LOC	DIST	REV	DESCRIPTION	DATE	OWN	APVD
ES	00	A2	CORRECT DRAFT ERROR	09APR2013	OL	SZ



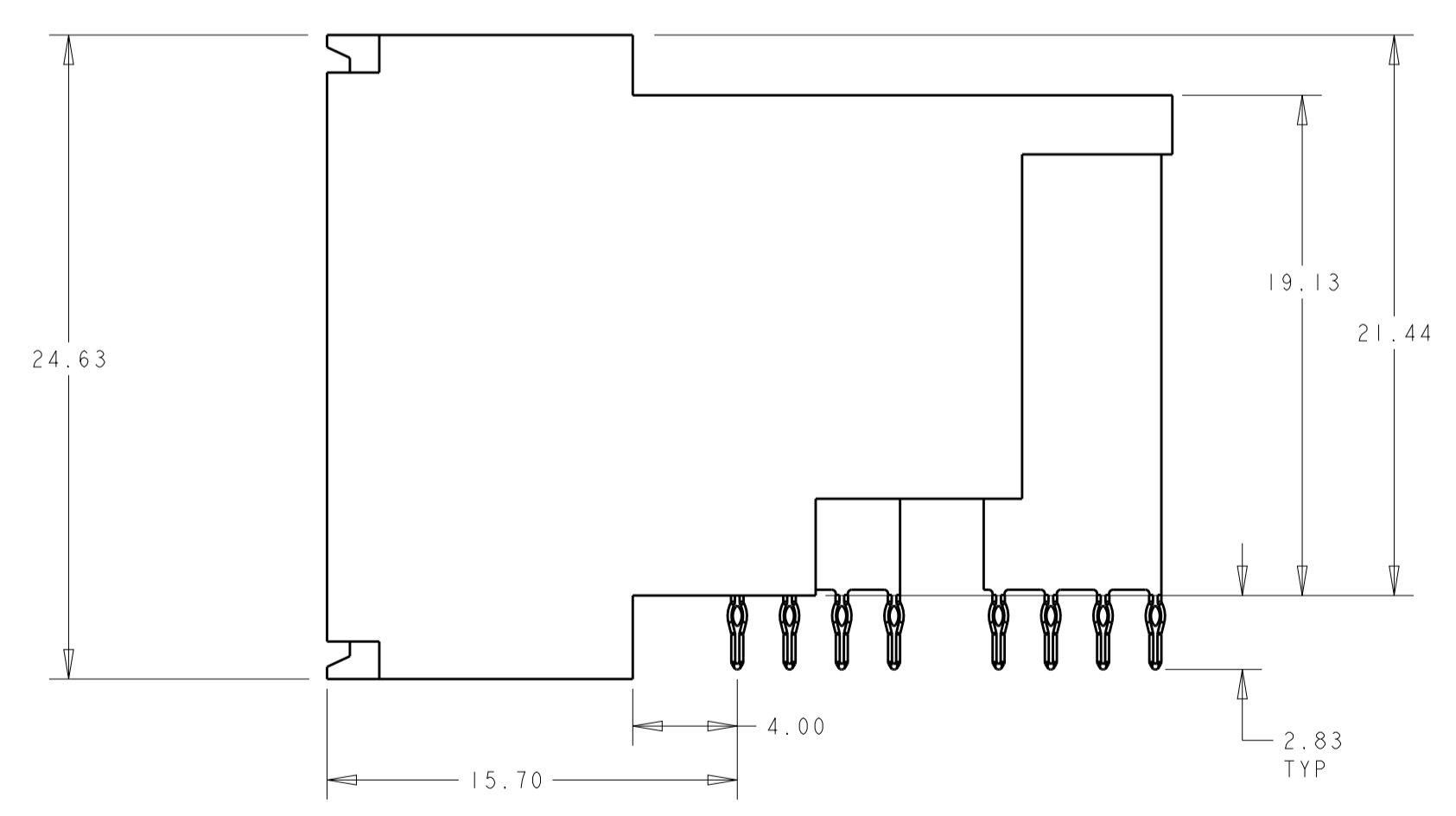
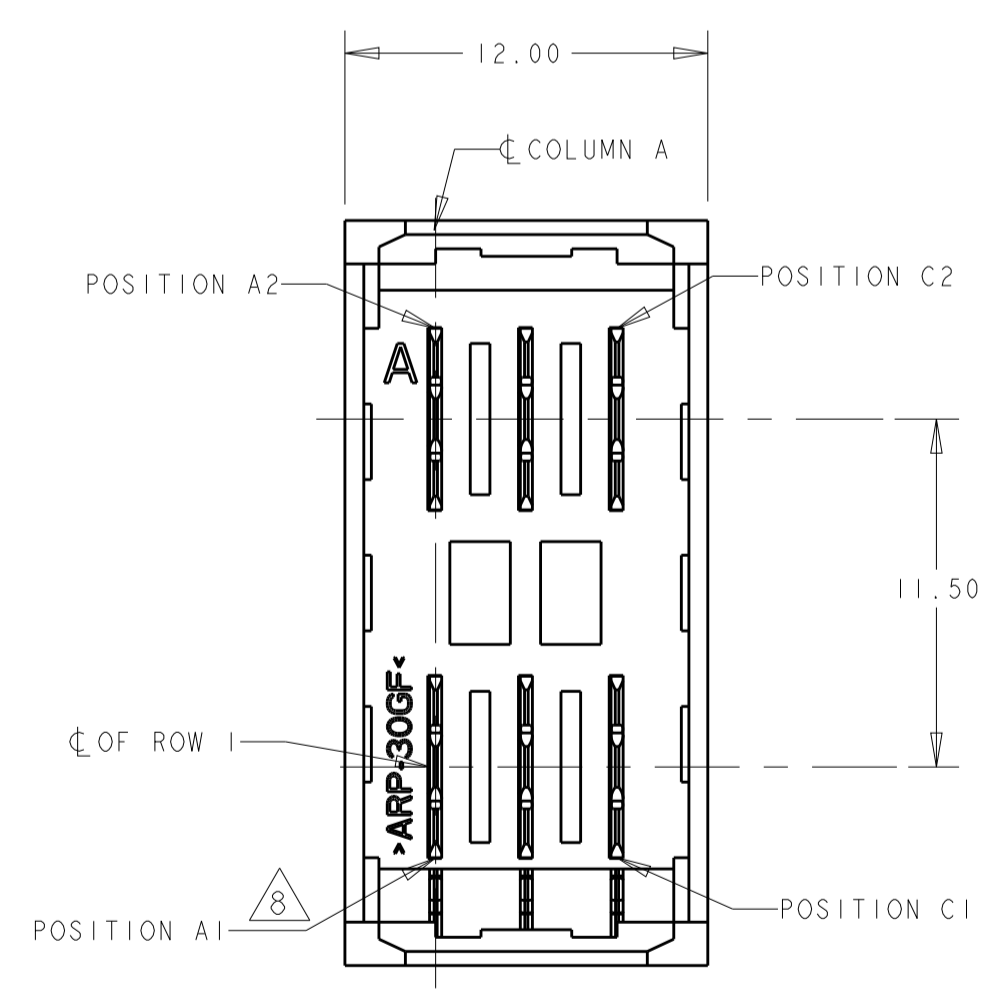
MATING VERTICAL UPM RECEPTACLE PCB LAYOUT ³



- 1 MATERIAL: HOUSING: POLYESTER. COLOR: BLACK, UL 94 V-0
CONTACT: COPPER ALLOY.
- 2 FINISH: CONTACT MATING AREA: 0.00076 mm MIN GOLD PLATE OVER 0.00127 mm MIN NICKEL, OR 0.0005 mm MIN GOLD OVER 0.00064 mm PALLADIUM-NICKEL OVER 0.00127 mm MIN NICKEL.
COMPLIANT TAIL AREA: 0.0005 mm MIN MATTE TIN PLATE OVER 0.00127 mm NICKEL UNDERPLATE.
- 3 TAILS OF MATING UPM STYLE RECEPTACLE ARE OFFSET BY 0.75 mm FROM TAILS OF THIS CONNECTOR. SEE CUSTOMER DRAWING 120992 FOR RECEPTACLE EXAMPLE. SEE APPLICATION SPEC 114-1103 FOR MORE DETAILED DESCRIPTION OF THE TAIL OFFSETS.
- 4 PC BOARD HOLE SPECIFICATIONS:
 DRILLED HOLE SIZE: 0.700±0.02 mm
 FINISHED HOLE SIZE: 0.60±0.05 mm
 PLATING THICKNESS:
 0.025 - 0.050 mm COPPER
 0.004 - 0.010 mm HASL TIN
 0.0005 mm MIN IMMERSION TIN
 0.0002 - 0.0005 mm OSP
 0.0001mm MIN IMMERSION SILVER
 0.0001-0.0005 mm IMMERSION GOLD OVER 0.004-0.005 mm NICKEL
- 5 DATUM AND BASIC DIMENSION ESTABLISHED BY CUSTOMER.
- 6 MINIMUM REQUIRED PC BOARD THICKNESS IS 1.44mm.
- 7 CONTACT AREA LUBRICATED WITH BELLCORE APPROVED LUBRICANT. TECHNICAL REFERENCE GR-1217-CORE, ISSUE 1 NOVEMBER 1995.
- 8 POSITION A1 IS AT MATERIAL ID.



RECOMMENDED PCB LAYOUT ⁶



BI	C1	A1, A2, B2, C2	1892711-3
-	A1, B1, C1	A2, B2, C2	1892711-2
-	-	ALL	1892711-1
POSITION LOADED WITH 7.7 REF SHORT PIN		POSITION LOADED WITH 10.92 REF LONG PIN	POSITION LOADED WITH 9.32 REF MIDDLE PIN
PART NO		PART NO	

DATE	23JUN2009	CHK	ORANDO LI	APVD	STEVEN YAO
PRODUCT SPEC	108-2289	APPLICATION SPEC		SIZE	CAGE CODE
DIMENSIONS:		TOLERANCES UNLESS OTHERWISE SPECIFIED:		MATERIAL	
mm	0 PLC ±.25	1 PLC ±.25	2 PLC ±.25	3 PLC ±.25	4 PLC ±.25
FINISH		ANGLES		WEIGHT	
1		2		Customer Drawing	

NAME	ASSEMBLY, RIGHT ANGLE HEADER, MINIPAK HDE, 2X3 POSITION
SCALE	5:1
SHEET	1 OF 1
REV	A2