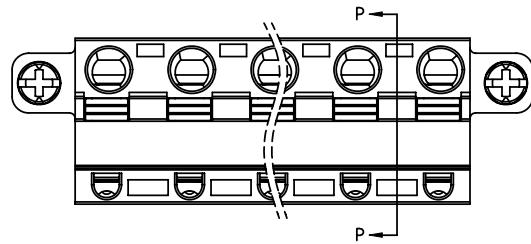


PRODUCT NUMBER	PITCH
HWxxA0x200J0G	7.50 mm



Dimension

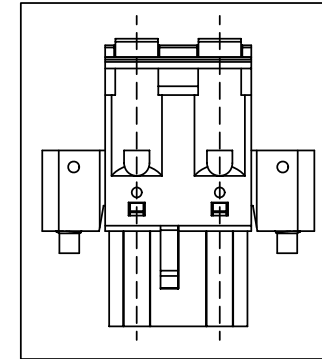
DIM L	$(N-1) \times 7.50 + 5.7$
DIM A	$(N-1) \times 7.50 + 5.0$
DIM B	$(N-1) \times 7.50$
DIM C	$(N-1) \times 7.50 + 12.2$
DIM D	$(N-1) \times 7.50 + 17.1$

N=Number of poles

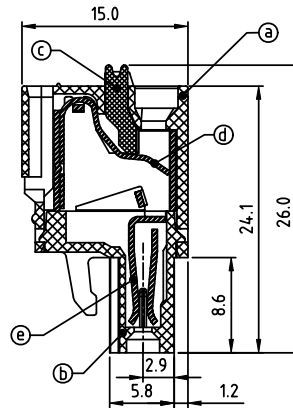
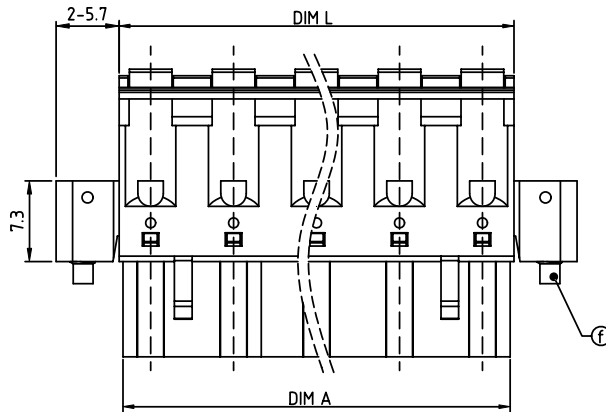
POLES	Tolerance
2p-6p	$\pm 0.15$
7p-12p	$\pm 0.20$
13p-16p	$\pm 0.30$

PART NO.: HW xx A0 x 2 00J0 G

Solid block	No. of poles	Color	RoHS compliant (lead<4%) In copper Alloy
0	2	Black (RAL9005)	
02	3	Red (RAL3001/D)	
03	4	Orange(RAL2011/P)	
...	5	Yellow(RAL1018/A)	
...	6	Green(RAL6018/T)	
16	7	Blue (RAL5015/A)	
	8	Grey(RAL7035/D)	
	9	White(RAL1102)	
	C	Green(RAL6018/U)	



2P mark



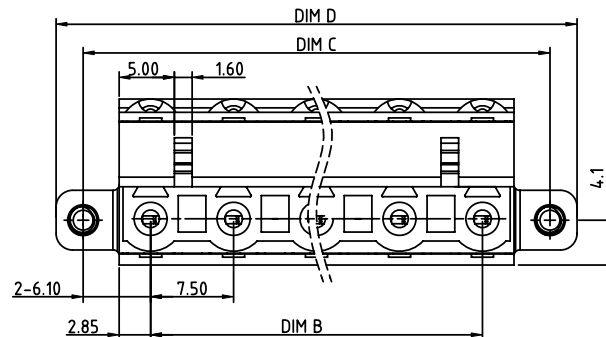
SECTION P-P

Material:

- Item ① Top body: Thermoplastic ( UL94V-0 )
- Item ② Bottom body: Thermoplastic ( UL94V-0 )
- Item ③ Terminal lever: Thermoplastic ( UL94V-0 ) Orange(RAL2011/P)
- Item ④ Spring clamp: Stainless Steel
- Item ⑤ Female contact: PhBz ( CuSn ) Tin plated
- Item ⑥ Flange screw: Steel Zinc plating M2.5 solt "+/-" combination type

Electrical

- Voltage rating: 300V
- Current rating: 10A
- Solid wire(AWG): 12-26
- Stranded wire(AWG): 12-26
- Wire strip length: 8-9mm
- Withstanding Voltage: 1.6KV
- Operating temperature: -40°C to +115°C
- Safety Approval:



mat'l. code	surface ASME Y14.5	tolerance ASME Y14.5	projection 	product family TERMINAL BLOCK
ltr	ecn	no	dr	date
				tolerances unless otherwise specified
				angles $X \pm 0.5$
				$X.X \pm 0.3$
				$X \pm 1^{\circ}$ $X.XX \pm 0.1$
				dr EVIN ZHONG 051614
				enr EVIN ZHONG 051614
				chr HANKE FENG 051614
				appd SHI JUN 051614
				scale MM
				product title TERMINAL BLOCK SPRING CLAMP, PLUGGABLE PLUG, WITH FLANGE CONTACT ON DOWN SIDE
				sheet 1 of 1 size A4
				dwg no HWxxA0x200J0G
				type CUSTOMER Drawing
sheet index	revision	A		
	sheet	1		