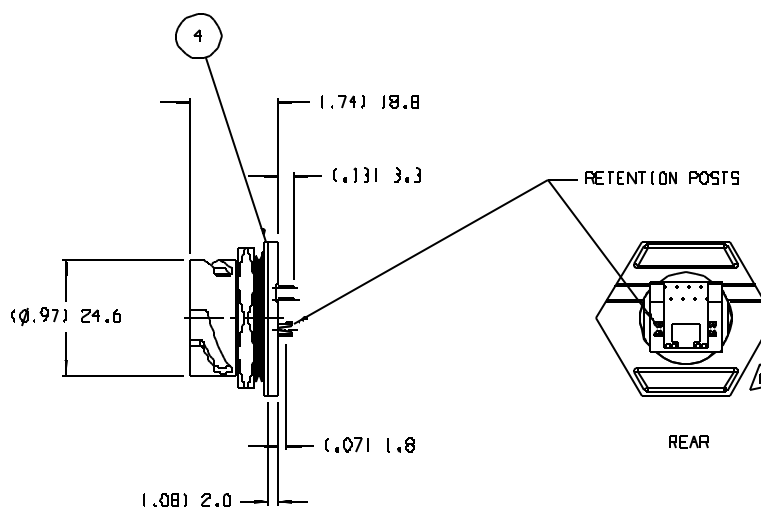
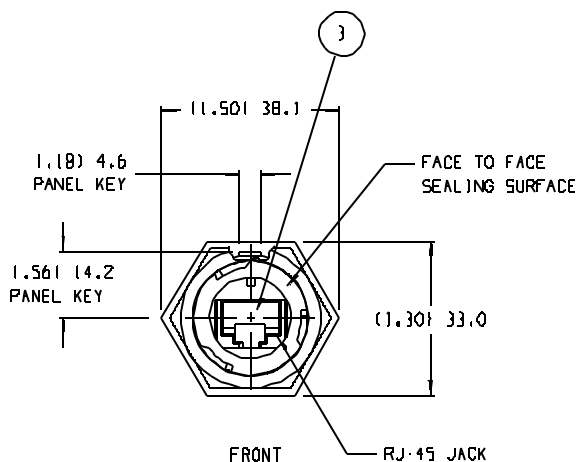


KNOCK OUT SIZE



NOTES:

1. MATERIAL: SEE TABLE
2. FINISHES: SEE TABLE
3. PRODUCT SPECIFICATION: SEE SPECS.
4. PACKAGING: AS REQUIRED
5. MATES WITH: IE (INDUSTRY STANDARD)
6. FORMERLY SD-84702-0005.

ITEM	QTY.	DESCRIPTION	MATERIAL	FINISH
4	1	PANEL GASKET	NEOPRENE	BLACK
3	1	RJ-45 JACK W/PCB MTG	POLYESTER	BLACK
2	1	LOCK NUT	POLYESTER	BLACK
1	1	RECEPTACLE HOUSING	POLYESTER	BLACK

11-17-03	RE-RELEASE	S. GILBERT
EC NO.	DRN:	CHK:
	APP:	
REV	DESCRIPTION	QUALITY SYMBOLS
		MAJOR
		CRITICAL
		SPEC

GENERAL TOLERANCES (UNLESS SPECIFIED)	
PLACES	TOLERANCE
4 PLACES	±.0015
3 PLACES	±.005
2 PLACES	±.1
1 PLACE	±.3
ANGULAR: ±2°	
DRAFT WHERE APPLICABLE MUST REMAIN WITHIN DIMENSIONS	

SCALE	DESIGN UNITS
FULL	<input type="checkbox"/> MM <input checked="" type="checkbox"/> INCH
DRAWN BY & DATE	
S. GILBERT 07-29-03	
CHECKED BY & DATE	
APPROVED BY & DATE	
CAD FILENAME	
SD-84702-008	

THIRD ANGLE	PROJECTION
<input checked="" type="checkbox"/> THIRD ANGLE	<input type="checkbox"/> FIRST ANGLE
TITLE:	
RECEPTACLE, RJ-45, PCB MOUNT, C/C INDUSTRIAL ETHERNET	
MOLEX INCORPORATED	
MATERIAL NO.	DRAWING NO.
847020005	SD-84702-008

PROJECT NO. PRR 03-40	1	
DIMENSIONS:	SHT	REV
<input checked="" type="checkbox"/> DIM (INCH) <input type="checkbox"/> DIM (MM) <input type="checkbox"/> DIM (ONLY)		REVISE ON CAD ONLY
SHEET NO. 1 OF 1		
THIS DRAWING CONTAINS INFORMATION THAT IS PROPRIETARY TO MOLEX INCORPORATED AND SHOULD NOT BE USED WITHOUT WRITTEN PERMISSION.		
SIZE	B	