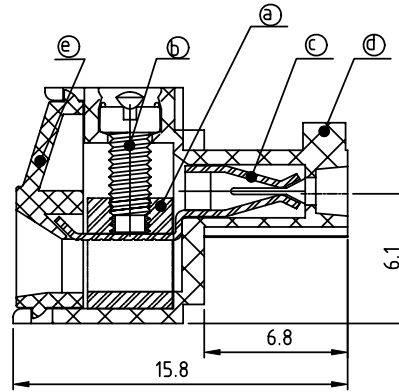
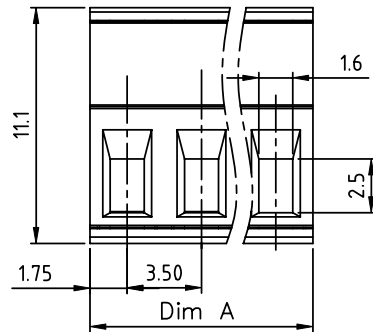
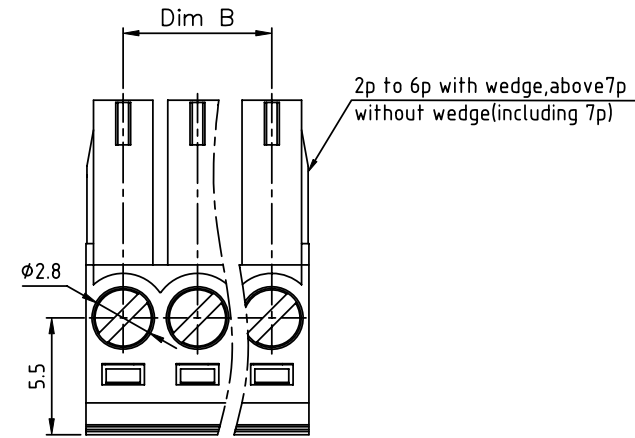


PRODUCT NUMBER	PITCH
TJxx11x300J0G	3.50 mm



Material

- Item a) Clamp: Brass(CuZn) Ni plated
- Item b) Terminal screw: Steel Zinc plating "-" slot type
- Item c) Female contact: PhBz ,Tin plated
- Item d) Terminal (housing): Thermoplastic ( UL94V-0 )
- Item e) Terminal cover: Thermoplastic ( UL94V-0 )

Electrical cULus/VDE

- Voltage rating: 300VAC/300VAC
- Current rating: 10A/10.5A
- Wire range: 1.5mm<sup>2</sup>
- Solid wire(AWG): 16-28
- Stranded wire(AWG): 16-28
- Torque: 3Lb-In/0.2Nm
- Screw: M2
- Wire strip length: 6-7mm
- Withstanding Voltage: 1.6KV/2.5KV
- Operating temperature: -40°C to +115°C
- Safety Approval:

N = Number of poles

Dim A=Nx3.5

Dim B=(N-1)x3.5

Poles	Dim A	Dim B
2p-6p	±0.15	±0.15
7p-12p	±0.20	±0.20
13p-18p	±0.25	±0.25
19p-24p	±0.30	±0.30

PART NO.: TJ xx 11 x 3 00J0 G

No. of poles	Color	RoHS compliant (lead<4%) In copper Alloy
02 2 poles	0 Black (RAL9005)	
03 3 poles	2 Red (RAL3001/D)	
...	3 Orange(RAL2011/P)	
...	4 Yellow(RAL1018/A)	
24 24 poles	5 Green(RAL6018/T)	
	6 Blue (RAL5015/A)	
	8 Grey(RAL7035/D)	
	9 White(RAL1102)	
	C Green(RAL6018/U)	

mat'l. code		surface ASME Y14.5 ✓	tolerance ASME Y14.5	projection 	product family TERMINAL BLOCK
ltr	ecn no	dr	date	MM ← →	title TERMINAL BLOCK
					scale PLUGGABLE PLUG
		angles 0°	X.±0.5		dwg no TJxx11x300J0G
		0°	X.X±0.3		sheet 1 of 1
		X*±1°	X.XX±0.1		size A4
					type CUSTOMER Drawing
sheet index	revision sheet	A	1		