

NOTES :

1- MATERIAL:

-HOUSING: LCP FIBER GLASS FILLED UL 94-V0 COLOR BLACK.

-TERMINAL: PHOSPHOR BRONZE

PLATING:

BASE FINISH: NICKEL

CONTACT SURFACE FINISH:

GOLD,

OR

GOLD FLASH OVER PALLADIUM NICKEL.

EXCEEDS PRODUCT REQUIREMENTS BASED ON PS-85507-001

-SHIELD: COPPER ALLOY PLATED WITH TIN

2- JACK FOR MATING WITH IEC 60603-7 AND TIA-1096-A SHIELDED PLUGS (95043 MOLEX SERIES).

3- PRODUCT SPECIFICATION PS-85507-001

4- PACKAGING SPECIFICATION PK-95022 (TRAY PACKAGING).

5- EXCEEDS CATEGORY 5E PERFORMANCE.

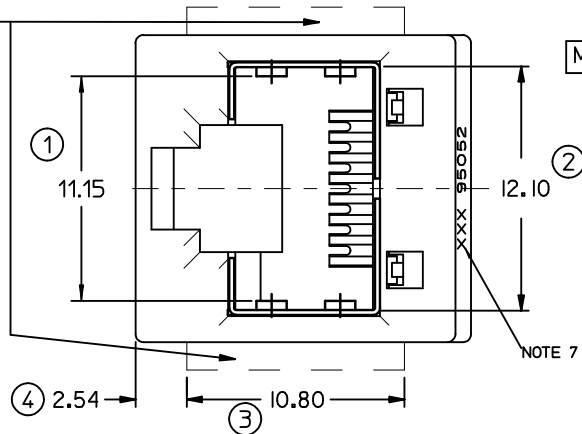
6- PC BOARD THICKNESS: 1.57

7- MANUFACTURING I.D. CAN BE MG, MXF OR MXI.

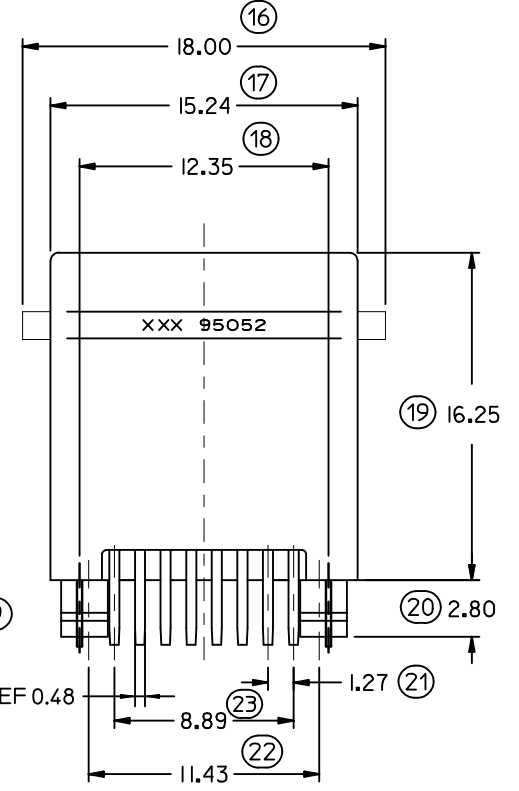
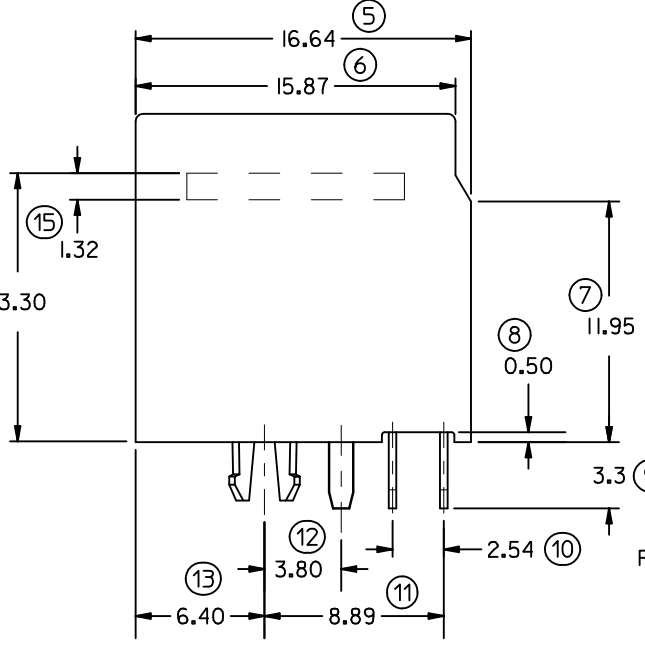
8- APPLICATION SPECIFICATION: AS-85513-001

9- LAST INSPECTON NUMBER 23

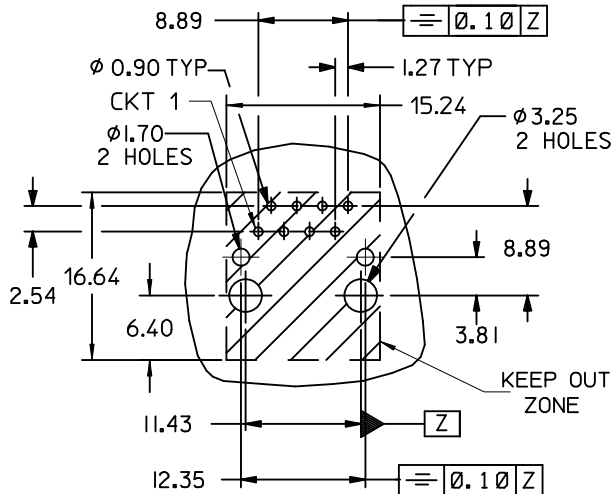
OPTIONAL RIBS



	JACKS WITH RIBS	JACKS WITHOUT RIBS
MATERIAL No.	85507-5001	85507-5002



P.C.B. MOUNTING PATTERN
(View from component side)
SCALE 2:1



ALL DIMENSIONS REFERENCE ONLY

REMOVED PLATING OPTIONS EC NO: IPG2012-0700 DRW:DBYRMS 2012/04/03 CHKD:MSHAHAN 2012/04/17 APPR:EFOLAN 2012/06/28	QUALITY SYMBOLS ▽=0 ∇=0	GENERAL TOLERANCES (UNLESS SPECIFIED)		DIMENSION STYLE MM ONLY		SCALE 4:1	DESIGN UNITS METRIC	THIRD ANGLE PROJECTION		
			mm	INCH	DRAWN BY FB	DATE 98/08/05	TITLE TOP ENTRY HIGH SPEED SHIELDED MODULAR JACK THROUGH HOLE 8 CIRCUIT			
		4 PLACES	± ---	± ---	CHECKED BY FM	DATE 98/08/05	MOLEX INCORPORATED			
		3 PLACES	± ---	± ---	APPROVED BY FB	DATE 98/08/05	MATERIAL NO. SEE CHART DOCUMENT NO. SD-85507-501 SHEET NO. 1 OF 1			
			2 PLACES	± 0.15	± ---	THIS DRAWING CONTAINS INFORMATION THAT IS PROPRIETARY TO MOLEX INCORPORATED AND SHOULD NOT BE USED WITHOUT WRITTEN PERMISSION				
			1 PLACE	± 0.25	± ---					
			ANGULAR ± 2 °							
		DRAFT WHERE APPLICABLE MUST REMAIN WITHIN DIMENSIONS								