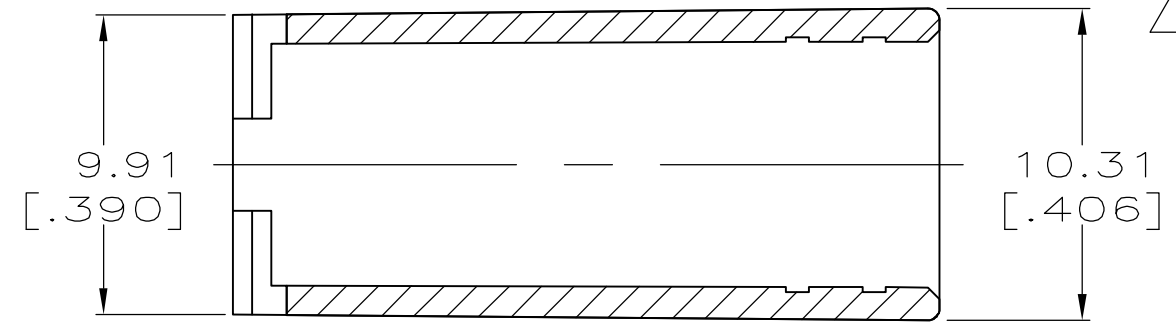


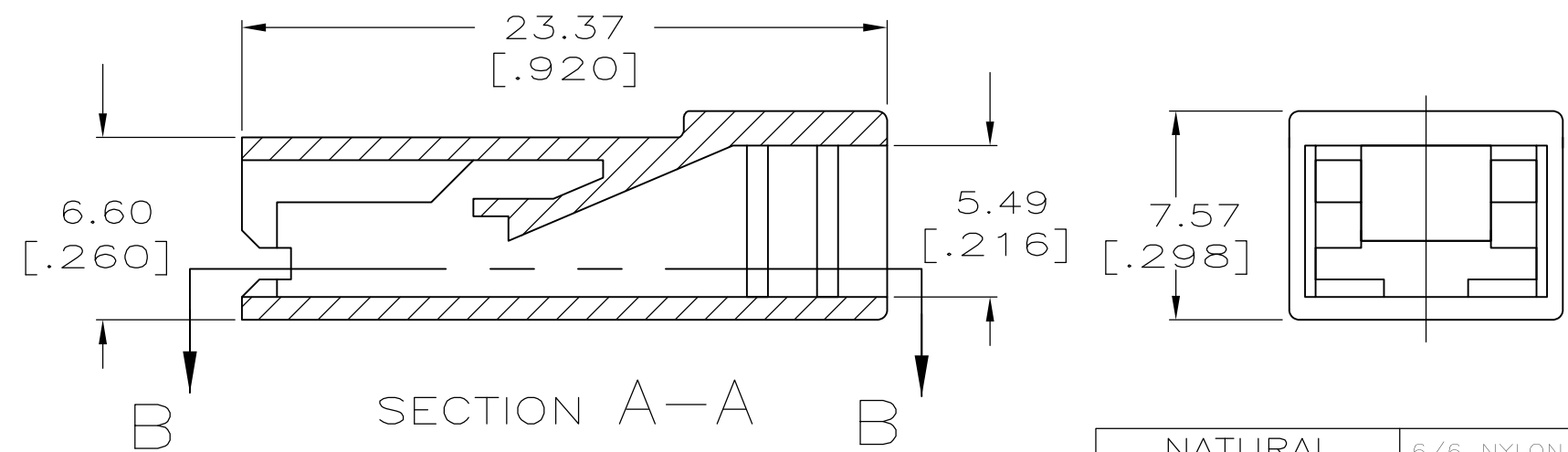
THIS DRAWING IS UNPUBLISHED. RELEASED FOR PUBLICATION
 © COPYRIGHT BY TYCO ELECTRONICS CORPORATION. ALL RIGHTS RESERVED.

LOC	DIST	REVISIONS			
P	LTR	DESCRIPTION	DATE	DWN	APVD
AF	50	AB	REV PER 0G3A-0222-04	29MAR2004	RF PD

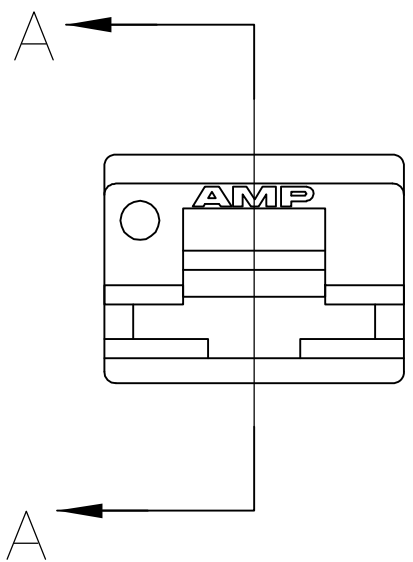
1 SPECIAL PACKAGING QUANTITIES.
 2 PRELIMINARY - NOT FOR PRODUCTION



SECTION B-B



SECTION A-A



NATURAL	6/6 NYLON	2	1	2-480416-1
NATURAL	UL94 5VA RATED	2		2-480416-0
NATURAL	4/6 NYLON UL 150			1-480416-8
NATURAL	6/6 NYLON, VO			1-480416-7
OBSOLETE	NATURAL			1-480416-6
OBSOLETE	RED			1-480416-4
OBSOLETE	BLUE			1-480416-3
	BLACK			1-480416-1
	NATURAL			1-480416-0
	FINISH			MATERIAL
				PART NO

THIS DRAWING IS A CONTROLLED DOCUMENT.		DWN	JR RUTH	2/4/91	 Tyco Electronics Corporation Harrisburg, PA 17105
DIMENSIONS: INCHES		CHK	P FORTNEY	2/4/91	
		APVD	C MEYERS	2/4/91	
TOLERANCES UNLESS OTHERWISE SPECIFIED:		PRODUCT SPEC		NAME	
0 PLC ± - 1 PLC ± - 2 PLC ± 0.38 [.015] 3 PLC ± - 4 PLC ± - ANGLES ± -		APPLICATION SPEC		HOUSING, RECEPTACLE, FASTON, 6.35 [.250] SERIES	
MATERIAL SEE TABLE		FINISH SEE TABLE		RESTRICTED TO	
		WEIGHT -		SIZE	
		CUSTOMER DRAWING		A3 00779 C-480416	
		SCALE 4:1		SHEET 1 OF 1	
		REV AB			