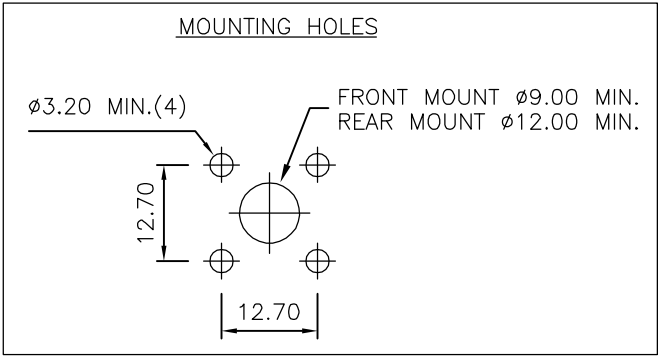
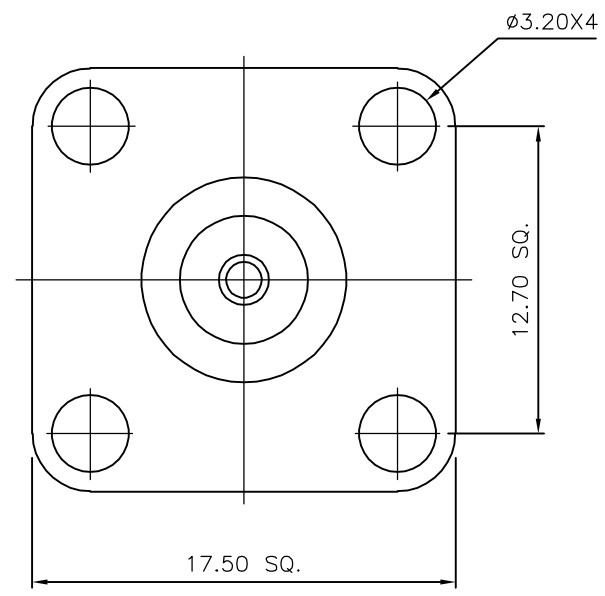
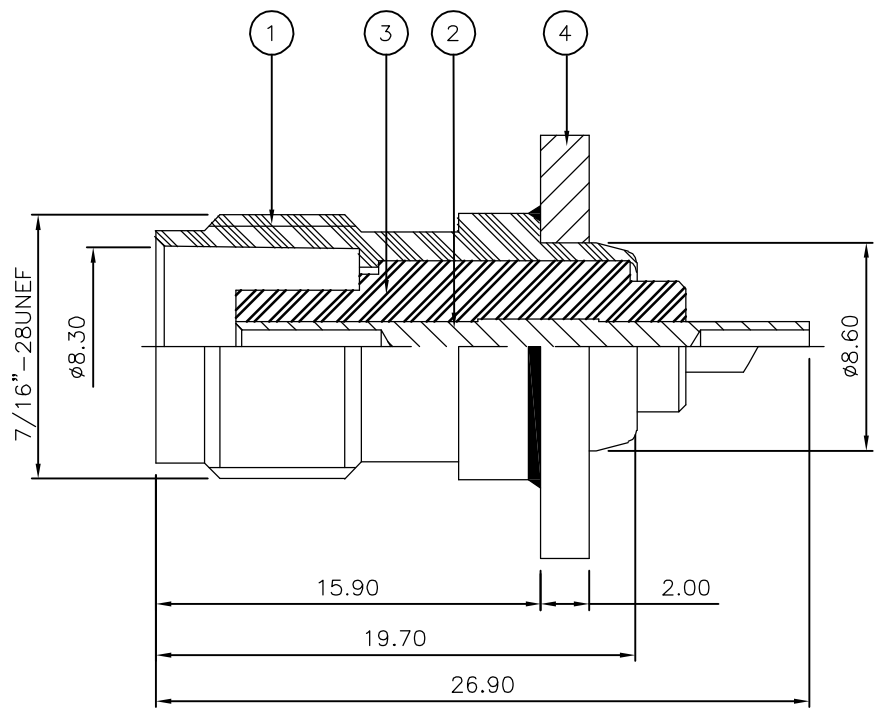


THIS DRAWING IS UNPUBLISHED. RELEASED FOR PUBLICATION JAN ,2006.
 © COPYRIGHT 2006 BY TYCO ELECTRONICS CORPORATION. ALL RIGHTS RESERVED.

| LOC | DIST | REVISIONS | | | | | |
|-----|------|-----------|-----|---------------|---------|-----|------|
| E | B | P | LTR | DESCRIPTION | DATE | DWN | APVD |
| | | C | | ECR-05-017969 | 09JAN06 | JMS | FWK |

- NOTES:**
- 1 PACK IN ACCORDANCE WITH AMP SPEC 107-3275
 - 2 100 TRAY PACK IN ACCORDANCE WITH AMP SPEC 107-3275
 - 3 Ag PLATING
 - 4 ELECTRICAL CHARACTERISTICS
 FREQUENCY RANGE: DC - 11 GHz
 NOMINAL IMPEDANCE: 50 Ohm
 INSULATION RESISTANCE: 5000 MOhm
 WORKING VOLTAGE: 500 Volts RMS at Sea Level
 DIELECTRIC WITHSTAND VOLTAGE: 1500 Volts RMS Max
 CONTACT RESISTANCE:
 CENTRE CONTACT: 1.50 mOhm Max
 OUTER CONTACT: 1.00 mOhm Max
 INSERTION LOSS db: 0.20 Max
 - 5 MECHANICAL CHARATERISTICS
 DURABILITY: 500 Cycles Min
 - 6 ENVIRONMENTAL CHARACTERISTICS
 OPERATING TEMPERATURE: -65 to +165 DegC



| QTY | QTY | MATERIAL | DESCRIPTION | ITEM |
|------|------|----------|-------------|------|
| 1 | 1 | BRASS | FLANGE | 4 |
| 1 | 1 | PTFE | INSULATION | 3 |
| 1 | 1 | BRASS | CONTACT | 2 |
| 1 | 1 | BRASS | BODY | 1 |
| 6--0 | 1--0 | MATERIAL | DESCRIPTION | ITEM |

| | | | | |
|--|--|--|---|--|
| THIS DRAWING IS A CONTROLLED DOCUMENT. | | DWN J.SANDWELL 09JAN06 | Tyco Electronics Corporation Bideford EX39 4HE | |
| DIMENSIONS: mm | | CHK S.PARLOW 09JAN06 | NAME TNC PANEL SOCKET 50 OHM | |
| TOLERANCES UNLESS OTHERWISE SPECIFIED: | | APVD F.WHEELER-KING 09JAN06 | PRODUCT SPEC | |
| 0 PLC ± - | | APPLICATION SPEC | | |
| 1 PLC ± - | | WEIGHT - | | |
| 2 PLC ± - | | SIZE A3 CAGE CODE 00779 DRAWING NO C-1337472 RESTRICTED TO - | | |
| 3 PLC ± - | | SCALE NTS SHEET 1 OF 1 REV C | | |
| 4 PLC ± - | | CUSTOMER DRAWING | | |
| ANGLES ± - | | | | |
| FINISH - | | | | |
| MATERIAL SEE TABLE | | | | |