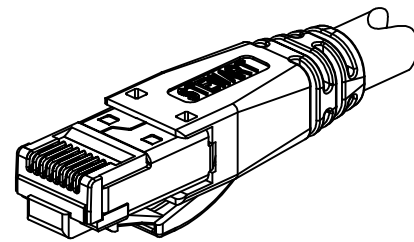
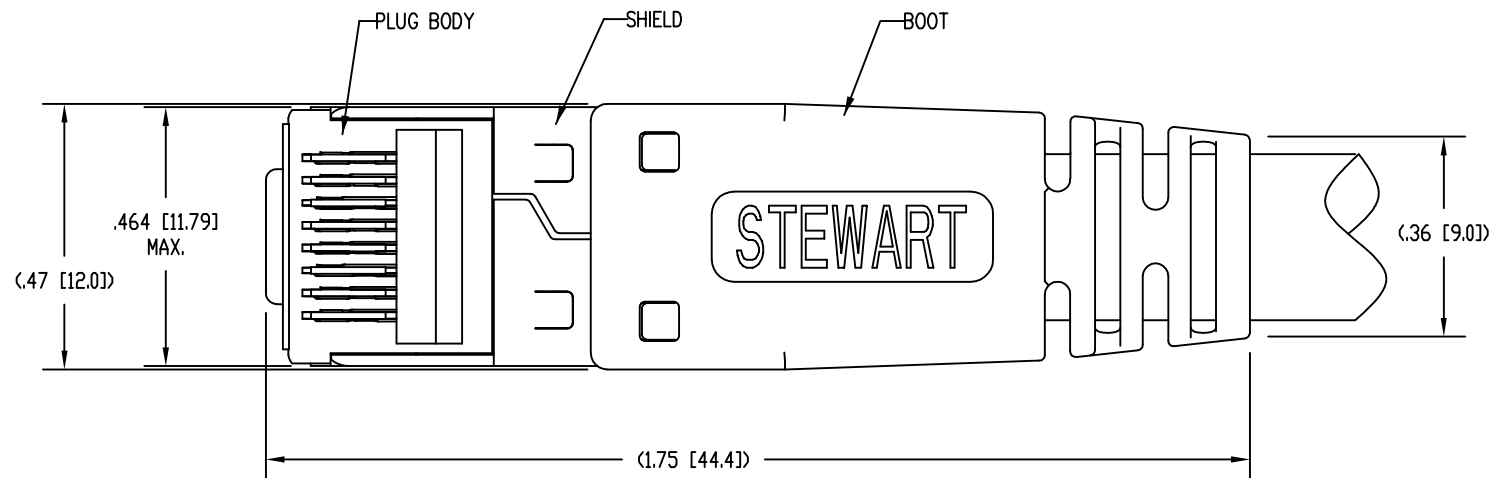


DATE	REV	ECN	APP'D. BY
-	X0	-	-
2-26-13	A0	9700	DHG
6-10-13	B0	9781	DHG
1-12-15	B1	10179	TRM



ISOMETRIC VIEW OF TERMINATED PLUG

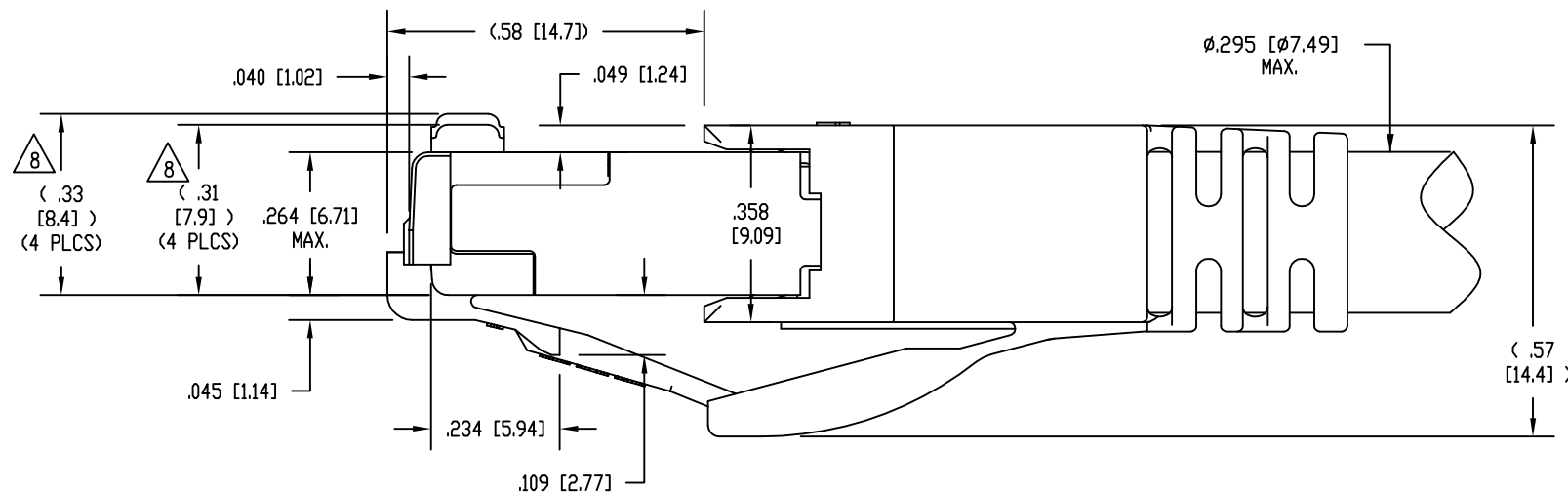
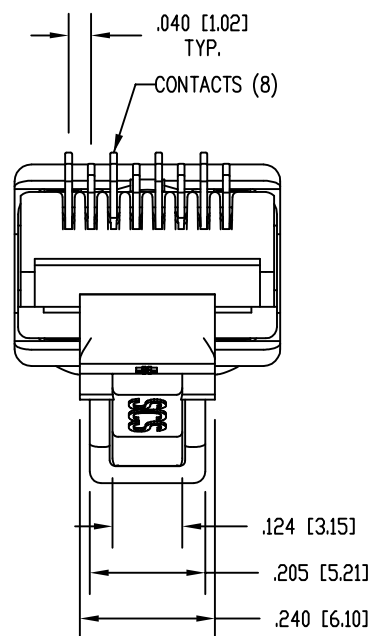


NOTES:

- PLUG KIT CONSISTS OF:
PRE-INSERTED PLUG BODY WITH SHIELD - 39200-321
LOAD BAR - 39200-899
BOOT - 39200-883
WIRE ALIGNER - 39100-864
- MATERIALS:
PLUG BODY: CLEAR POLYCARBONATE, UL 94-V0
BOOT : BLACK POLYCARBONATE, UL 94-V0
WIRE ALIGNER AND LOAD BAR: CLEAR POLYCARBONATE, UL 94-V0
CONTACTS: COPPER ALLOY, SELECTIVE GOLD PLATING
SHIELD: COPPER ALLOY, NICKEL PLATE
- FOR PRODUCT SPECIFICATION SEE PR026-01.
- CONTACTS TERMINATE SOLID OR STRANDED CONDUCTORS BETWEEN .042 [1.07] TO .048 [1.22] OUTSIDE DIAMETER OF INSULATION.
- CRIMP IS FOR CABLES WITH OUTSIDE NOMINAL DIAMETERS OF .270 [6.86] TO .295 [7.49].
- INDIVIDUALLY BAGGED PLUG KITS (1 EACH PLUG BODY, LOAD BAR, WIRE ALIGNER, AND BOOT) PACKAGED 25 PER BOX.
- DIMENSIONS AND TOLERANCES COMPLY WITH TIA-1096 STANDARD FORMERLY FCC/CFR 47, PART 68.
- CONTACT HEIGHT BEFORE TERMINATION. AFTER TERMINATION, THE CONTACT HEIGHT IS .237 [6.02] ±.005 [0.13].
- PRODUCT DESIGNED FOR CATEGORY 6 AND 6A APPLICATIONS.

B

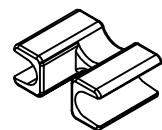
B



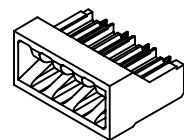
BULK	50 MICRO-INCHES [0.76um]	SS-39200-030
BAGGED Δ	50 MICRO-INCHES [0.76um]	SS-39200-027
PACKAGING	CONTACT PLATING IN MATING AREA	PART NUMBER

A

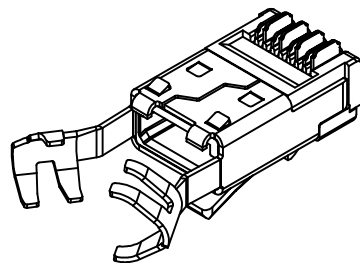
A



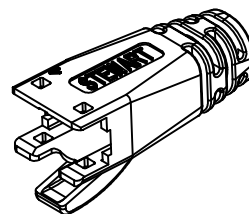
WIRE ALIGNER
39100-864



LOAD BAR
39200-899



PRE-INSERTED PLUG
BODY WITH SHIELD
39200-321

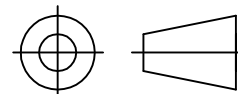


BOOT
39200-883

RoHS



THIRD ANGLE PROJECTION



1118 Susquehanna Trail South
Glen Rock, PA 17327-9199
(717) 235-7512

<http://www.stewartconnector.com>

DO NOT SCALE DRAWING
DRAWING IS SUBJECT TO
CHANGE WITHOUT NOTICE

TITLE: 8 CONDUCTOR, 8 POSITION SHIELDED PLUG, WITH BOOT,
LOAD BAR, AND WIRE ALIGNER, .048 MAX DIA WIRE

DIMENSIONS: INCHES [METRIC]
UNLESS OTHERWISE SPECIFIED
TOLERANCES ARE ±.005 [0.13]
ANGLES ARE ± 1°

THIS DRAWING AND THE SUBJECT MATTER SHOWN THEREON ARE
CONFIDENTIAL AND THE PROPRIETARY PROPERTY OF STEWART CONNECTOR
AND SHALL NOT BE REPRODUCED, COPIED, OR USED IN ANY MANNER WITHOUT
PRIOR WRITTEN CONSENT OF STEWART CONNECTOR. THIS PRODUCT
MAY BE PROTECTED BY ONE OR MORE OF THE FOLLOWING US PATENTS:
5628647 6402559 6409535 6524128
7753717 8033863
OTHER PATENTS MAY BE PENDING.

DRN BY:	DHG	DATE	8-22-12
APPD BY:	SAW	DATE	2-13-13
DWG NO.	CT390094	REV.	B1

SHEET NO.
1 OF 1

REV. 6/3/05