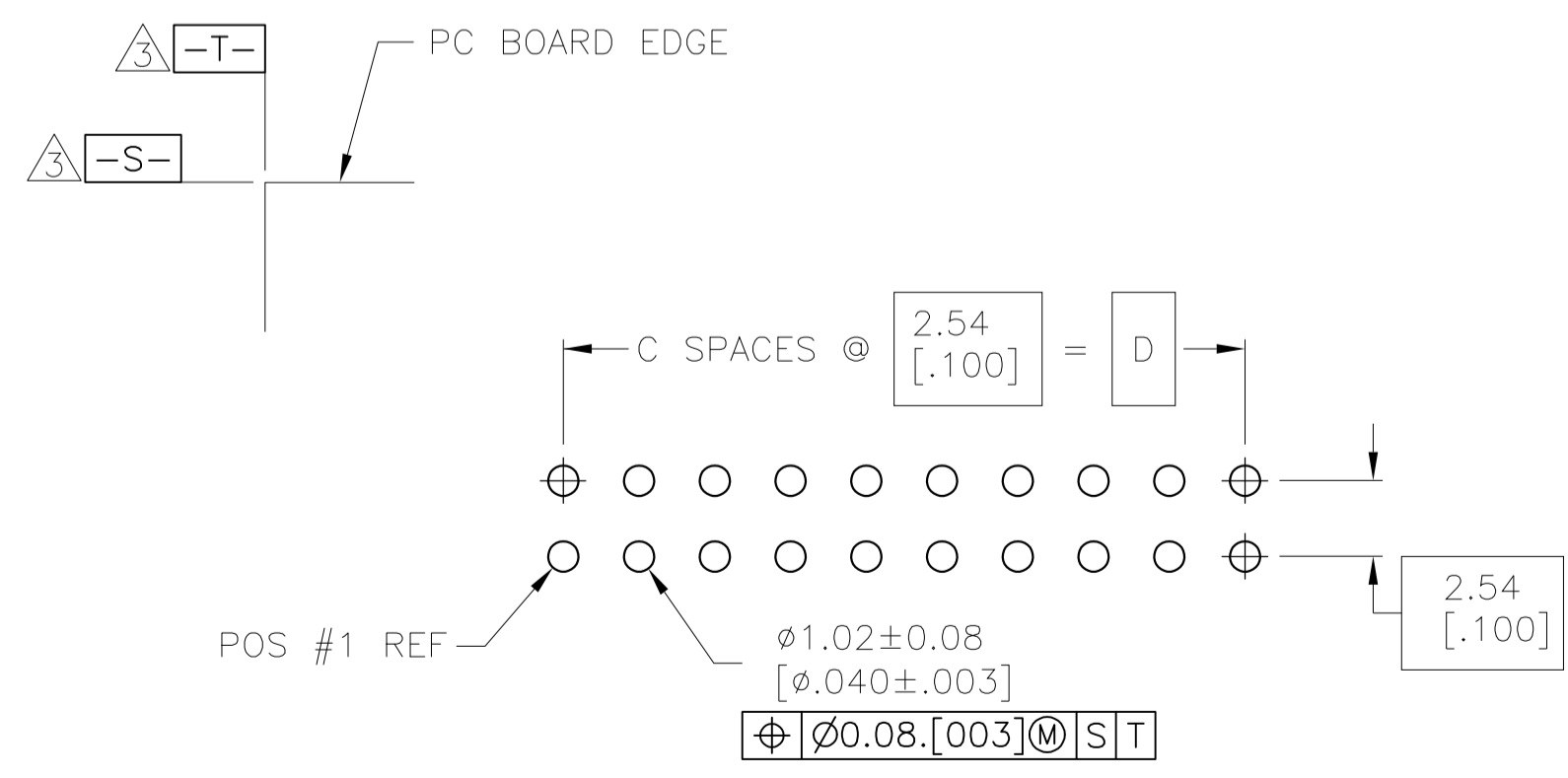
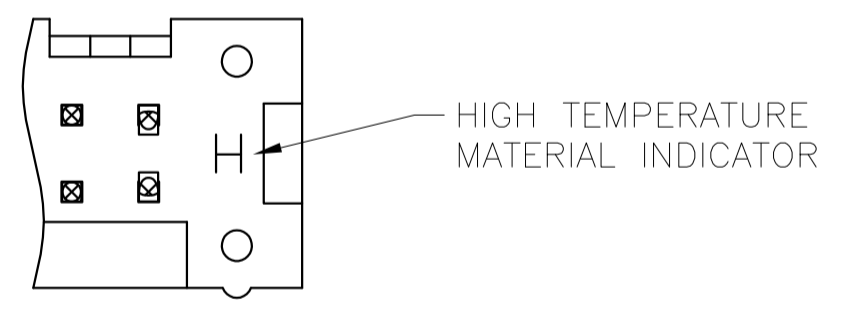
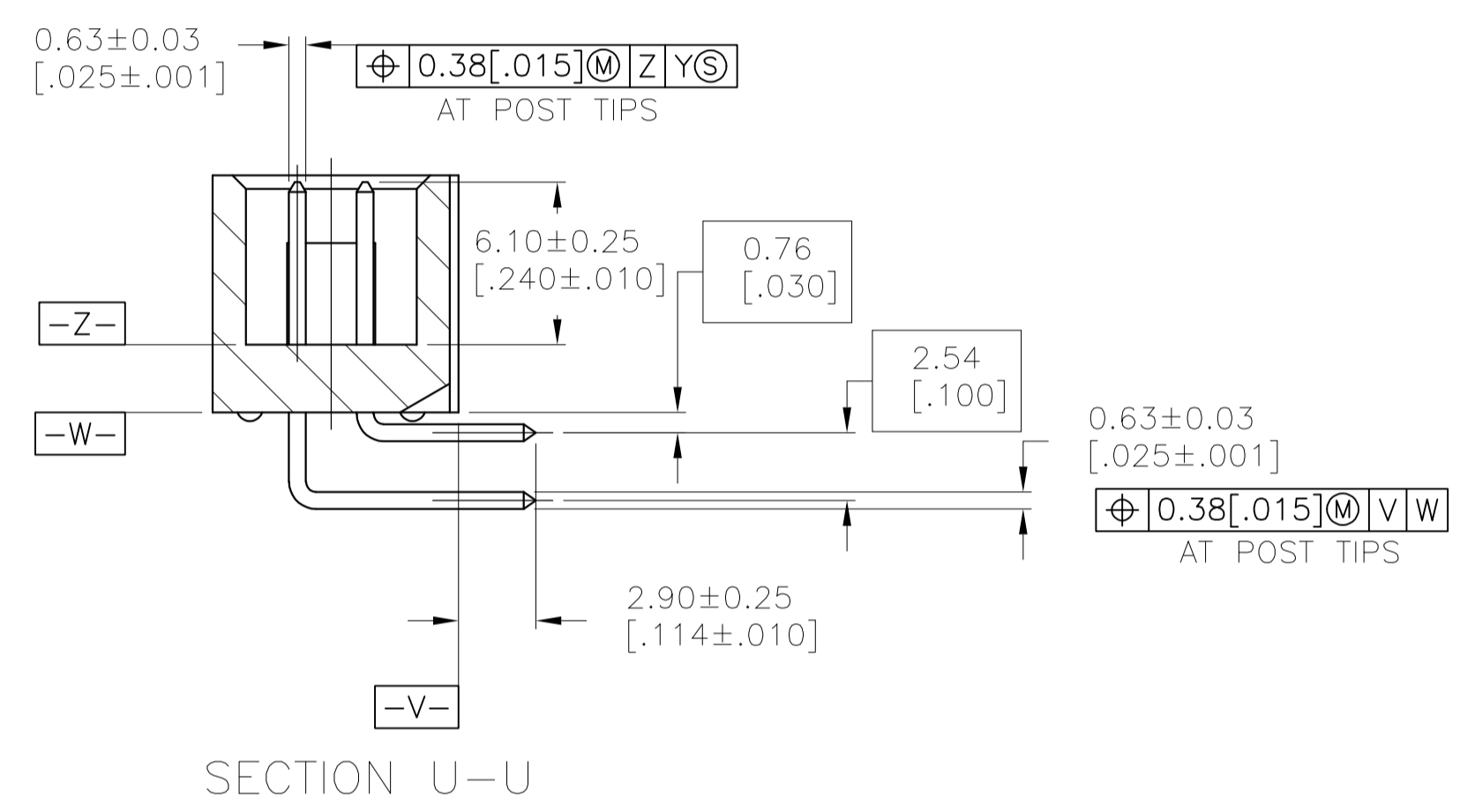
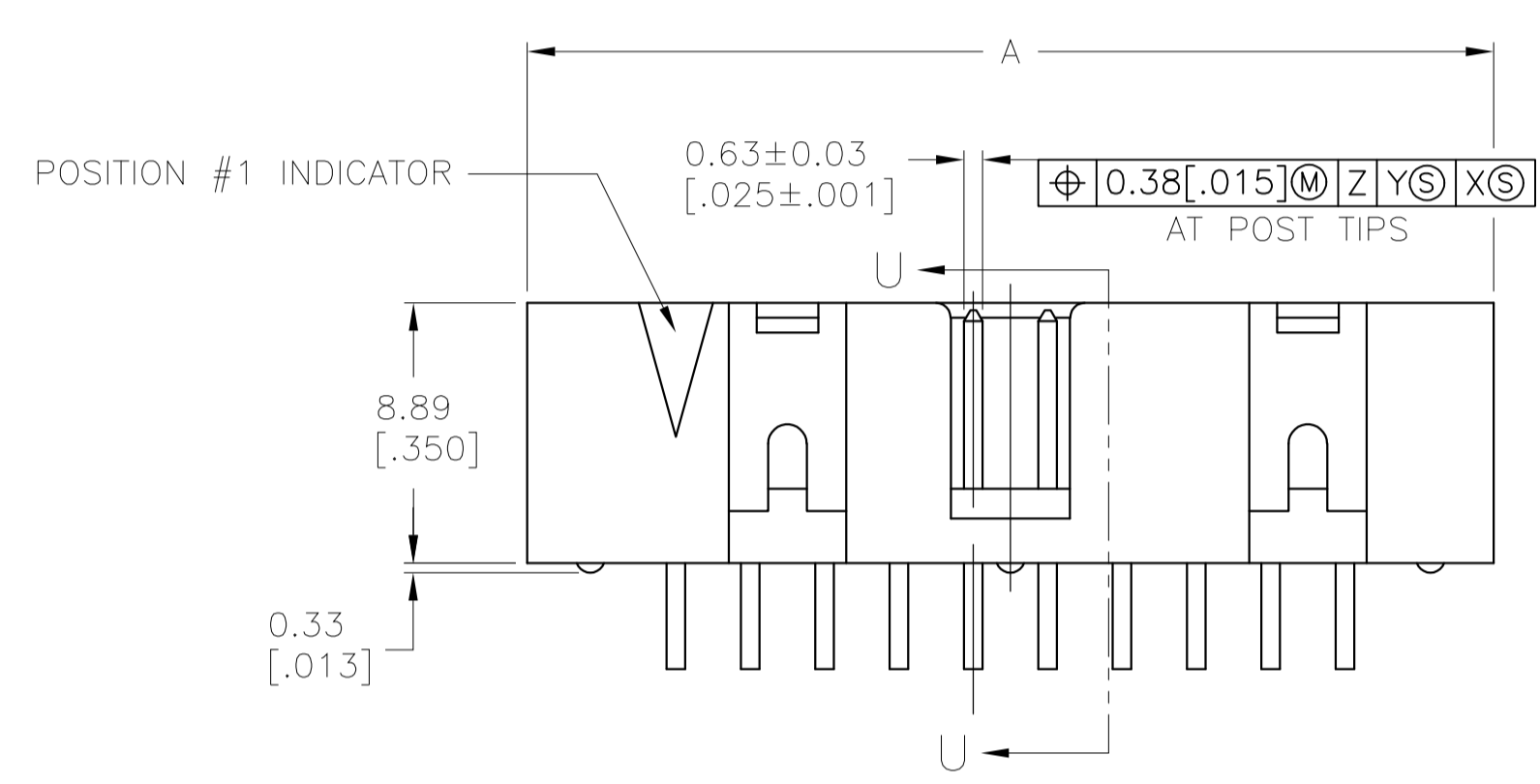


- △ HOUSING: PCT, UL94V-0, COLOR BLACK.
- POSTS: PHOSPHOR BRONZE.
- △ POSTS: 0.00038[.000015] MIN GOLD ON MATING AREA, 0.00254[.000100] MIN TIN ON SOLDER END, ALL OVER 0.00127[.000050] MIN NICKEL ON ENTIRE POST.
- △ DATUMS S & T TO BE ESTABLISHED BY CUSTOMER.
- △ NO KEYING SLOT ON THIS END FOR 10 & 14 POSITION ASSEMBLIES.
- △ NO KEYING SLOT ON THIS END FOR 10 POSITION ASSEMBLIES.



RECOMMENDED PC BOARD LAYOUT
(VIEWED FROM CONNECTOR SIDE)

OBsolete	60.96 [2.400]	24	68.58 [2.700]	71.12 [2.800]	50	1-1761682-5
	48.26 [1.900]	19	55.88 [2.200]	58.42 [2.300]	40	1-1761682-3
	40.64 [1.600]	16	48.26 [1.900]	50.80 [2.000]	34	1-1761682-1
OBsolete	30.48 [1.200]	12	38.10 [1.500]	40.64 [1.600]	26	1761682-9
	22.86 [.900]	9	30.48 [1.200]	33.02 [1.300]	20	1761682-7
	17.78 [.700]	7	25.40 [1.000]	27.94 [1.100]	16	1761682-6
	15.24 [.600]	6	22.86 [.900]	25.40 [1.000]	14	1761682-5
	10.16 [.400]	4	17.78 [.700]	20.32 [.800]	10	1761682-3
	D	C	B	A	NO OF POS	PART NUMBER

THIS DRAWING IS A CONTROLLED DOCUMENT.

DIMENSIONS:	TOLERANCES UNLESS OTHERWISE SPECIFIED:	APPROVED:	DATE:
mm	0.150 ± -	B. CRISAMORE/DJI	23MAY05
	0.300 ± -	S. BOLASH	23MAY05
	0.600 ± -	M. WALMSLEY	23MAY05
	1.200 ± -		
	2.540 ± -		
	ANGLES		

STE TE Connectivity

NAME: HEADER ASSEMBLY, HIGH TEMP, RIGHT ANGLE, LOW PROFILE, IDC

SIZE: A1 CAGE CODE: 00779 DRAWING NO: 1761682

WEIGHT: ---

CUSTOMER DRAWING SCALE: 4:1 SHEET: 1 OF 1 REV: A1