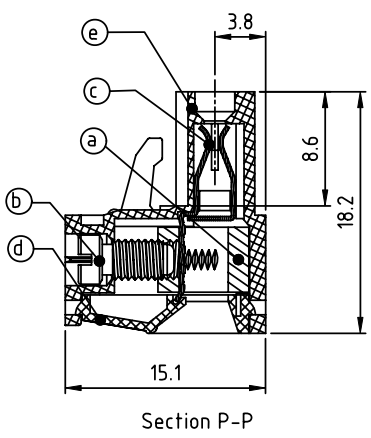
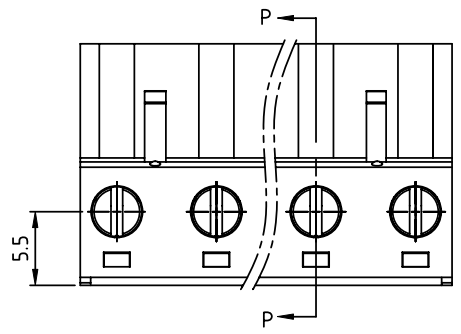
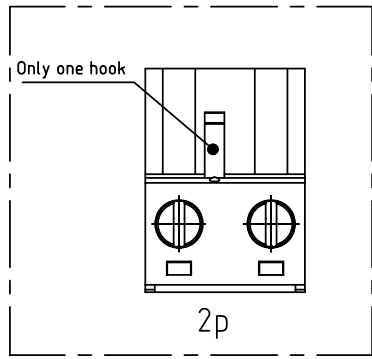
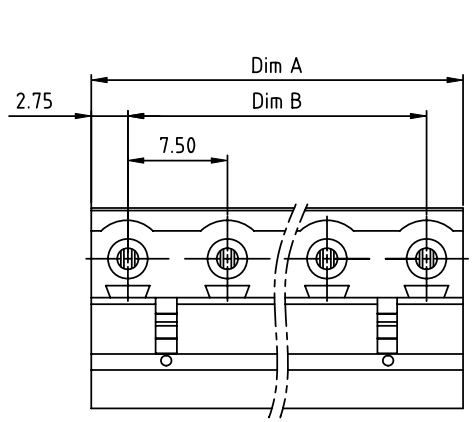


PRODUCT NUMBER	PITCH
TJxxA1x000J0G	7.50 mm



Material

- Item ① Clamp: Brass(CuZn) Ni plated
- Item ② Terminal screw: Steel Zinc plating "-" slot type
- Item ③ Female contact: High conductivity copper ,Tin plated
- Item ④ Terminal Cover: Thermoplastic (UL94V-0)
- Item ⑤ Terminal housing: Thermoplastic (UL94V-0)

Electrical cULus

- Voltage rating: 300VAC
- Current rating: 20A
- Wire range:
- Solid wire(AWG): 12-24
- Stranded wire(AWG): 12-24
- Torque: 5Lb-In
- Screw: M3
- Wire strip length: 7-8mm
- Withstanding Voltage: 1.6KV
- Operating temperature: -40°C to +115°C
- Safety Approval:

DIMENSION

Dim A = (N-1) x 7.5+5.5
 Dim B = (N-1) x 7.5
 N= number of poles

Poles	Tolerance
2p-5p	±0.15
6p-12p	±0.25
13p-16p	±0.35

TJ xx A1x 0 00J0 G

- | | | |
|--------------|---------------------|-----------------|
| No. of poles | Color | RoHS compliant |
| 02 2 poles | 0 Black (RAL9005) | (lead<4%) |
| 03 3 poles | 2 Red (RAL3001/D) | In copper Alloy |
| ... | 3 Orange(RAL2011/P) | |
| 16 16 poles | 4 Yellow(RAL1018/A) | |
| | 5 Green(RAL6018/T) | |
| | 6 Blue (RAL5015/A) | |
| | 8 Grey(RAL7035/D) | |
| | 9 White(RAL1102) | |
| | C Green(RAL6018/U) | |

mat'l. code		surface ASME Y14.5	tolerance ASME Y14.5	projection 	product family TERMINAL BLOCK
ltr	ecn no	dr	date		title
				tolerances unless otherwise specified	TERMINAL BLOCK
				angles 	PLUGGABLE, PLUG, WITHOUT FLANGE
				X.±0.5	scale
				X.X±0.3	MM
				X'±1"	X.XX±0.1
dr		HANKE FENG	032514		dwg no
enr		HANKE FENG	032514		sheet 1 of 1
chr		SHI JUN	032514		size
appd		SHI JUN	032514		A4
					TJxxA1x000J0G
					type
					CUSTOMER Drawing
sheet index	revision	A			
	sheet	1			