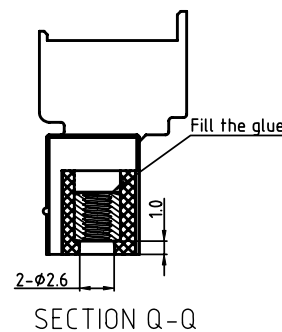
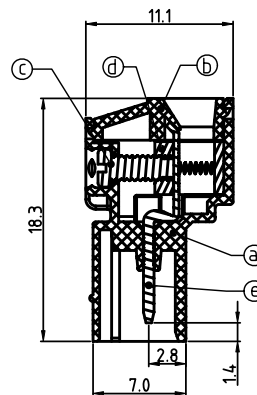
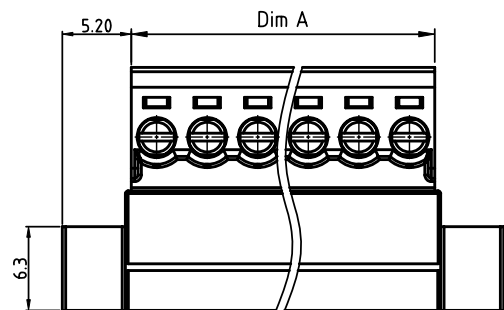
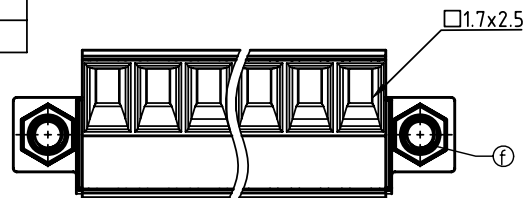




PRODUCT NUMBER	PITCH
V8xx31x100J0G	3.81 mm

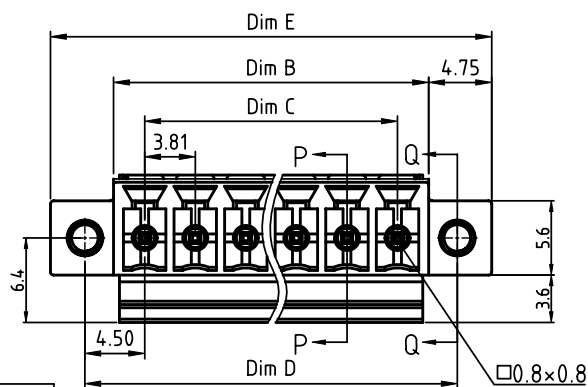


Material:

- Item (a) Terminal (Body):Thermoplastic (UL94V-0)
- Item (b) Terminal (Cover):Thermoplastic (UL94V-0)
- Item (c) Terminal screw:Steel Zinc plating "-" slot type
- Item (d) Clamp:Brass(CuZn) Ni plating
- Item (e) Pin: Brass, Tin plated
- Item (f) Flange nut: Brass, M2.5

Electrical cULs

- Voltage rating: 300VAC
- Current rating: 8A
- Solid wire(AWG): 14-30
- Stranded wire(AWG): 14-30
- Torque(Lb-In): 2.6
- Screw: M2
- Wire strip length: 7mm
- Withstanding Voltage: 1.6KV
- Operating temperature: -40°C to +115°C
- Safety Approval:



Dimension

Dim A	N×3.81
Dim B	N×3.81+0.88
Dim C	(N-1)×3.81
Dim D	(N-1)×3.81+9.0
Dim E	N×3.81+10.40

N=Number of poles

POLES	Tolerance
2p-6p	±0.15
7p-13p	±0.20
14p-18p	±0.30
19p-24p	±0.40

PART NO.: V8 xx 31 x 1 00J0 G

Solid block	0	Black (RAL9005)	RoHS compliant (lead<4%) In copper Alloy
No. of poles	2	Red (RAL3001/D)	
02	2 poles	3 Orange(RAL2011/P)	
03	3 poles	4 Yellow(RAL1018/A)	
...	...	5 Green(RAL6018/T)	
24	24 poles	6 Blue (RAL5015/A)	
		8 Grey(RAL7035/D)	
		9 White(RAL1102)	
		C Green(RAL6018/U)	

mat'l. code		surface ASME Y14.5	tolerance ASME Y14.5	projection	product family TERMINAL BLOCK
ltr	ecn no	dr	date	 MM	title TERMINAL BLOCK
tolerances unless otherwise specified					
angles		X.±0.5		scale	PLUGGABLE PLUG,FLANGE WITH NUT
X°±1'		X.XX±0.3			
dr		EVIN ZHONG	050514		dwg no V8xx31x100J0G
enr		EVIN ZHONG	050514		
chr		HANKE FENG	050514		
appd		SHI JUN	050514		
sheet index	revision	A		sheet 1 of 1 size A4	
	sheet	1		type CUSTOMER Drawing	