

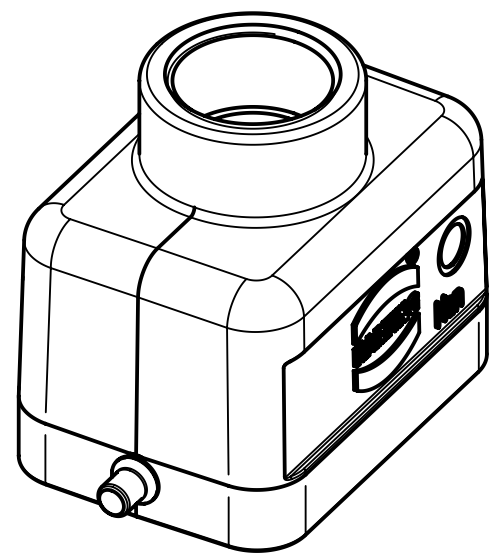
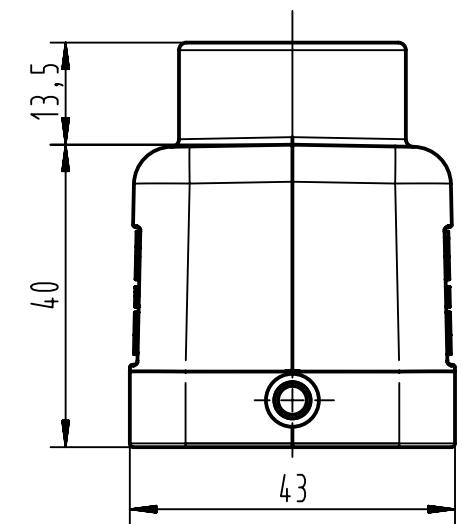
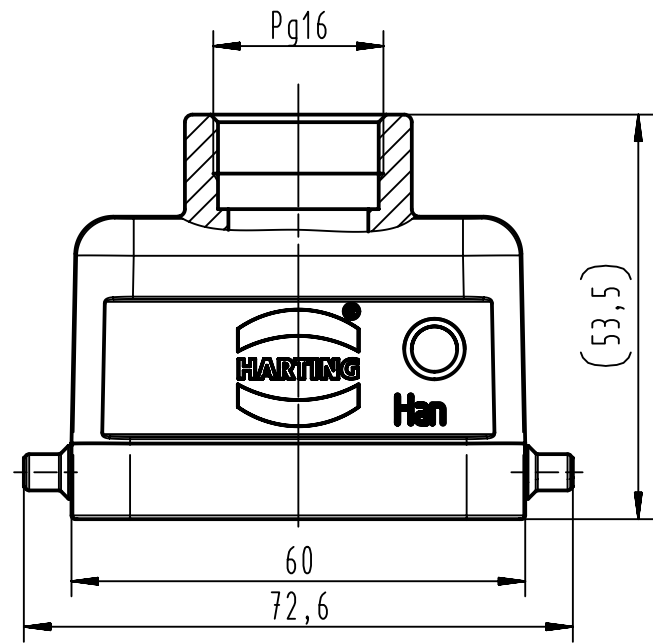
1 2 3 4 5 6


A

B

C

D



	All Dimensions in mm Original Size DIN A4		Scale 1:1	Free size tol.		Ref.	
	All rights reserved		Created by RULLKOETTER	Inspected by BERGHORN	Standardisation SCHMIDTM	Date 2012-12-18	Sub.
Department EL PD - DE		Title Han 6EMV/B-gg-16				State Final Release	
HARTING Electric GmbH & Co. KG D-32339 Espelkamp		Type TB	Number 09 62 806 1441			Doc-Key / ECM-Nr. 100201543/UGD/004/A	Rev. A
						Page 1/1	