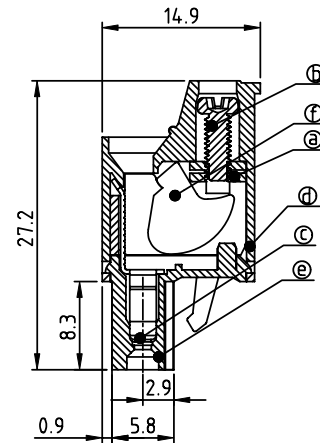
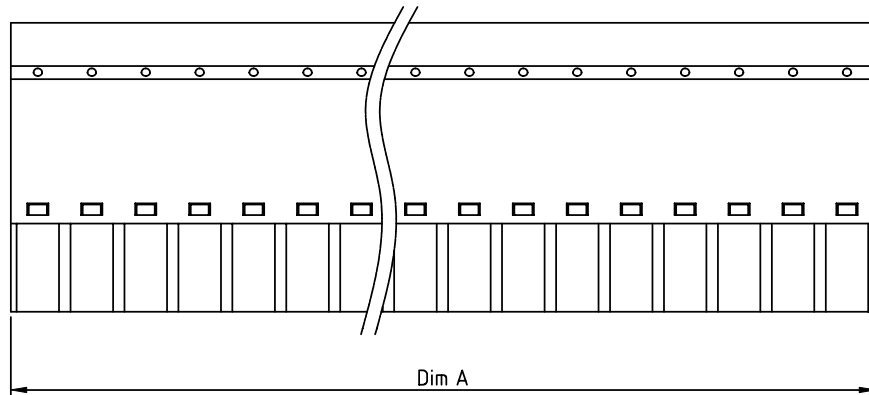
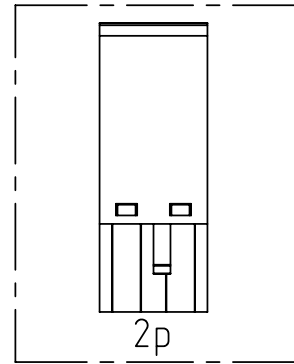
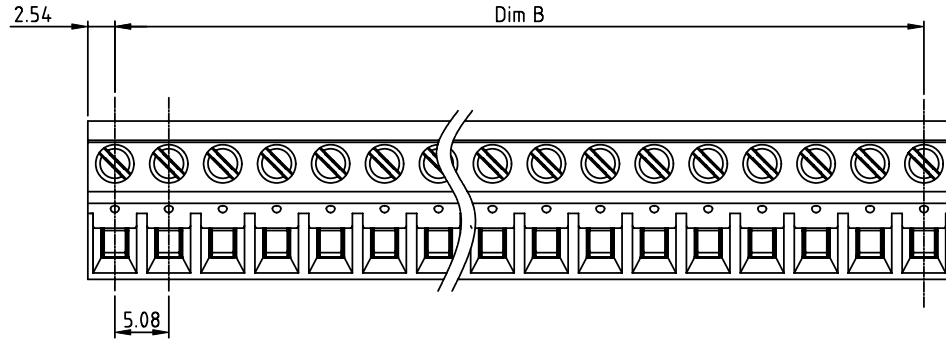


PRODUCT NUMBER	PITCH
VMxx55x100J0G	5.08 mm



Material:

- Item① Clamp: Steel zinc plated.
- Item② Terminal screw: Steel Zinc plating "-" slot type
- Item③ Female contact: High conductivity copper Tin plated
- Item④ Terminal (top body): Thermoplastic (UL94V-0)
- Item⑤ Terminal (bottom body): Thermoplastic (UL94V-0)
- Item⑥ Steel block: Steel Zinc plated

Electrical cULus

- Voltage rating: 300VAC
- Current rating: 20A
- Wire range: 0.34-2.5mm<sup>2</sup>
- Solid wire(AWG): 12-22
- Stranded wire(AWG): 12-22
- Torque: 3.5Lb-In
- Screw: M2.5
- Wire strip length: 6-7mm
- Withstanding Voltage: 1.6KV
- Operating temperature: -40°C to +115°C
- Safety approval:

DIMENSION

Dim A	Nx5.08
Dim B	(N-1)x5.08

N=Number of poles

Poles	Tolerance
2p-6p	±0.20
7p-12p	±0.25
13p-18p	±0.30
19p-24p	±0.40

PART NO.: VM xx 55 x 1 00J0 G

		Color	RoHS compliant
Solid block	0	Black (RAL9005)	(lead<4%) In copper Alloy
No. of poles	2	Red (RAL3001/D)	
02	2 poles	3 Orange(RAL2011/P)	
03	3 poles	4 Yellow(RAL1018/A)	
...	...	5 Green(RAL6018/T)	
24	24 poles	6 Blue (RAL5015/A)	
		8 Grey(RAL7035/D)	
		9 White(RAL1102)	
		C Green(RAL6018/U)	

mat'l. code				surface ASME Y14.5	tolerance ASME Y14.5	projection	product family
ltr	ecn no	dr	date	tolerances unless otherwise specified			TERMINAL BLOCK
B	T-19283	HF	081414	angles	X.±0.5		title
				parallel	X.X±0.3	MM	TERMINAL BLOCK
				X°±1°	X.XX±0.1	scale	PLUGGABLE PLUG,WITHOUT FLANGE,LOW PROFILE
				dr	EVIN ZHONG 042114		dwg no
				enrg	EVIN ZHONG 042114		sheet 1 of 1
				chr	HANKE FENG 042114		size
				appd	SHI JUN 042114		A4
sheet index	revision	B				type	CUSTOMER Drawing
	sheet	1					