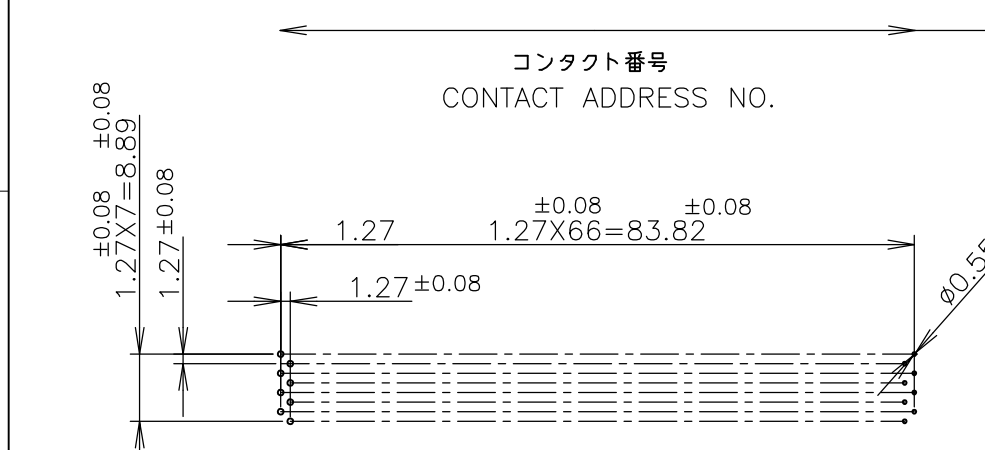
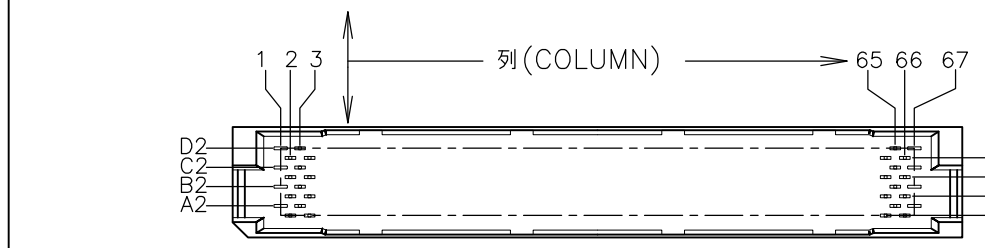
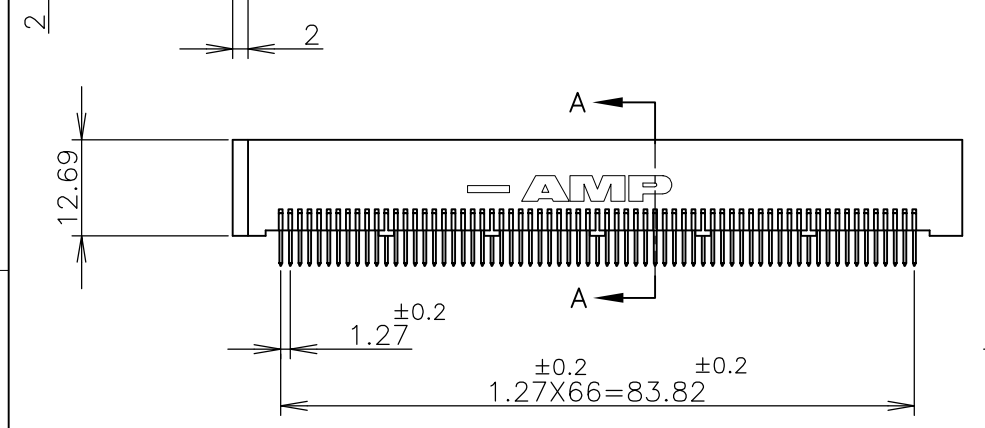
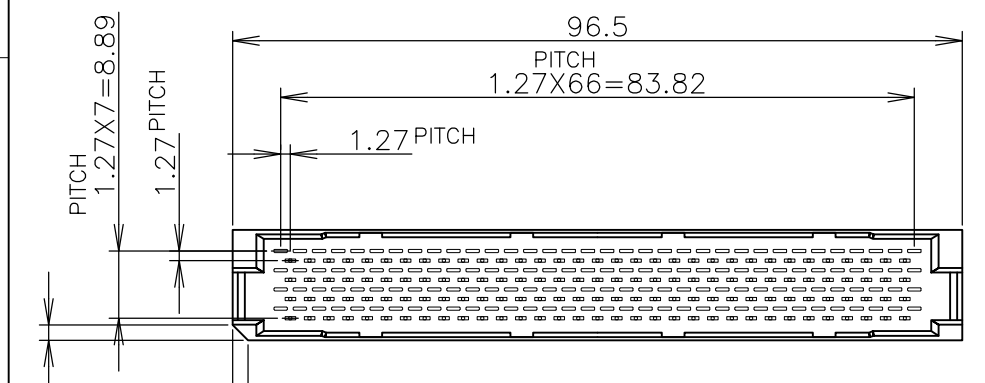
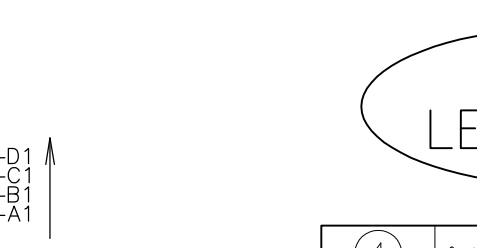
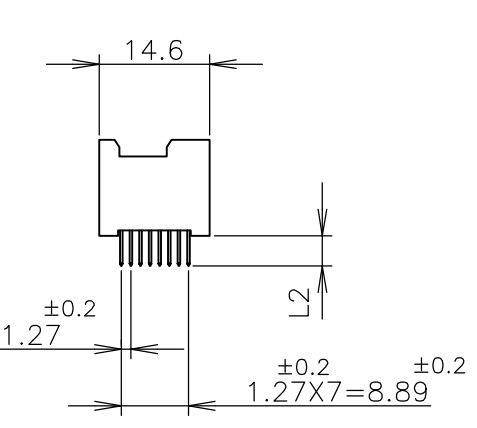


THIS DRAWING IS UNPUBLISHED.		RELEASED FOR PUBLICATION		AUG. 2004.		LOC	DIST	REVISIONS					
© COPYRIGHT 2004 BY TYCO ELECTRONICS CORPORATION. ALL RIGHTS RESERVED.						J		P	LTR	DESCRIPTION	DATE	DWN	APVD
<b>△ OBSOLETE -1; 本図 (-1; AS SHOWN)</b>										REVISED PER ECO-10-000444	19JAN10	KK	HMR
GROUND POST	6.4	4	72	1, 5, 9, 13, 17, 21, 25, 29, 33, 35, 39, 43, 47, 51, 55, 59, 63, 67	72	1, 5, 9, 13, 17, 21, 25, 29, 33, 35, 39, 43, 47, 51, 55, 59, 63, 67							
SIGNAL POST	4.4	4	64	3, 7, 11, 15, 19, 23, 27, 31, 37, 41, 45, 49, 53, 57, 61, 65	0	NONE							
SIGNAL POST	5.4	4	132	全偶数番号 (2~66) ALL EVEN NO. COLUMN (2~66)	196	グラウンドを除く全極 ALL EXCEPT GROUND.							
GROUND POST	6.4	2.8					72	1, 5, 9, 13, 17, 21, 25, 29, 33, 35, 39, 43, 47, 51, 55, 59, 63, 67	72	1, 5, 9, 13, 17, 21, 25, 29, 33, 35, 39, 43, 47, 51, 55, 59, 63, 67			
SIGNAL POST	4.4	2.8					64	3, 7, 11, 15, 19, 23, 27, 31, 37, 41, 45, 49, 53, 57, 61, 65	0	NONE			
SIGNAL POST	5.4	2.8					132	全偶数番号 (2~66) ALL EVEN NO. COLUMN (2~66)	196	グラウンドを除く全極 ALL EXCEPT GROUND.			
CONTACT NAME	L1	L2	QTY of POS	コンタクト配置<列番号> CONTACT LOCATION <COLUMN NO.>	QTY of POS	コンタクト配置<列番号> CONTACT LOCATION <COLUMN NO.>	QTY of POS	コンタクト配置<列番号> CONTACT LOCATION <COLUMN NO.>	QTY of POS	コンタクト配置<列番号> CONTACT LOCATION <COLUMN NO.>			
				△ 5175387-1					△ 5175387-2				
					1-5175387-1								
									1-5175387-2				



推奨基板寸法 (t=3±0.2)  
RECOMMENDED P.C. BOARD DIM. (t=3±0.2)  
(コネクタ取付け側より見る)  
(VIEW FROM CONN. SIDE.)

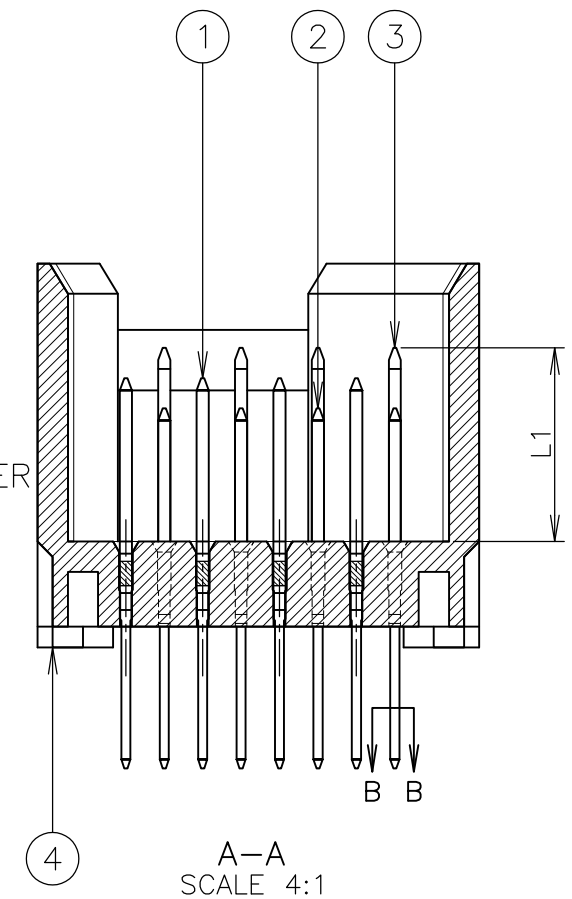


鉛フリー  
LEAD FREE

- 1 コンタクト配置は上表による。
- 2 コンタクト保持力 (コンタクト-HSG、固定強度)  
SIGNAL CONTACT; 7.84N (800gf)/PIN 以上  
GROUND CONTACT; 7.84N (800gf)/PIN 以上

- 1 CONTACT LOCATION; SEE TABLE.
- 2 CONTACT RETENTION FORCE  
SIGNAL CONTACT; 7.84N (800gf)/PIN MIN.  
GROUND CONTACT; 7.84N (800gf)/PIN MIN.

△ OBSOLETE PARTS: OBSOLETE CIS STREAMLINING PER D.RENAUD/D.SINISI



④	ヘッド・ハウジング	HDR. HOUSING	液晶ポリマー(黒)	LIQUID CRYSTAL POLYMER
③	グラウンド・コンタクト	GROUND CONTACT	銅合金 FINISH UNDER Ni 1.27μm MIN COPPER ALLOY	CONTACT AREA Au 0.5μm MIN TINE AREA TIN PL. 1μm MIN
②	シグナル・コンタクト (SHORT)	SIGNAL CONT(SHORT)	銅合金 FINISH UNDER Ni 1.27μm MIN COPPER ALLOY	CONTACT AREA Au 0.5μm MIN TINE AREA TIN PL. 1μm MIN
①	シグナル・コンタクト (LONG)	SIGNAL CONT(LONG)	銅合金 FINISH UNDER Ni 1.27μm MIN COPPER ALLOY	CONTACT AREA Au 0.5μm MIN TINE AREA TIN PL. 1μm MIN

ITEM NO.	名称/NAME	材質/MATERIAL
THIS DRAWING IS A CONTROLLED DOCUMENT.		
DWN	C.OHASHI	06AUG04
CHK	T.KIMURA	06AUG04
APVD	K.IKEGAMI	06AUG04
PRODUCT SPEC	製品規格	
APPLICATION SPEC	取付適用規格	
WEIGHT		
Tyco Electronics		Tyco Electronics AMP K.K. Kawasaki, Japan
NAME 名称		268P (196 SIGNAL) HDR. ASSY AMP Z-PACK STAGGERED 050J-II TYPE D
SIZE	CAGE CODE	DRAWING NO
A3	00779	C-5175387
CUSTOMER DRAWING		RESTRICTED TO
SCALE 尺度	1:1	SHEET 1 OF 1
REV	01	