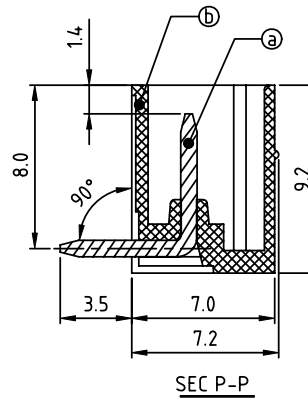
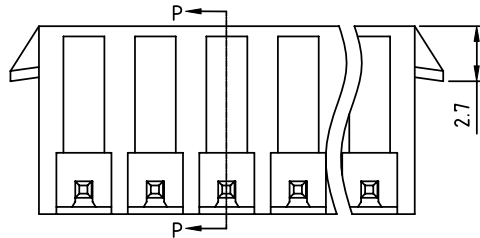
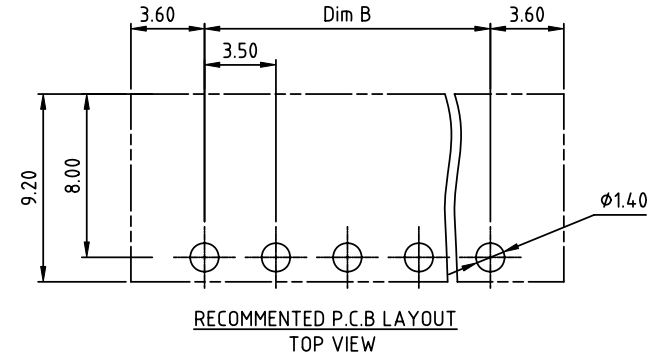
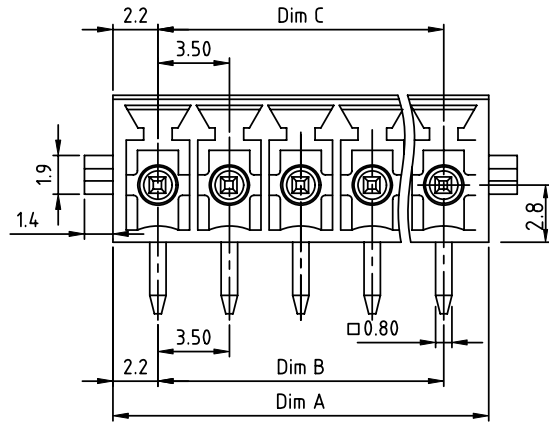


PRODUCT NUMBER	PITCH
OQxx12x103J0G	3.50 mm



Material:

- Item ① Male contact pin: Copper Tin plated
- Item ② Terminal housing: Thermoplastic (UL94V-0)

Electrical:

- cULus /VDE
- Voltage rating: 300V/300V
- Current rating: 10A/10.5A
- Withstanding Voltage: 1.6 KV/2.5KV
- Operating temperature: -40°C to +115°C
- Soldering temperature: 260°C±5°C/5 Sec
- Safety Approval:



DIMENSION

Dim A	$(N-1) \times 3.5 + 4.4$
Dim B & C	$(N-1) \times 3.5$

N= NUMBER OF POLES

Poles	Tolerance
2P-6P	±0.15
7P-12P	±0.20
13P-18P	±0.25
19P-24P	±0.30

PART NO.: OQ xx 1 2 x 1 03J0 G

No. of poles	0 Black (RAL9005)	RoHS compliant (lead<4%) In copper Alloy
02 2 poles	2 Red (RAL3001/D)	
03 3 poles	3 Orange(RAL2011/P)	
... ..	4 Yellow(RAL1018/A)	
24 24 poles	5 Green(RAL6018/T)	
	6 Blue (RAL5015/A)	
	8 Grey(RAL7035/D)	
	9 White(RAL1102)	
	C Green(RAL6018/U)	

mat'l. code		surface ASME Y14.5	tolerance ASME Y14.5	projection	product family TERMINAL BLOCK
ltr	ecn no	dr	date	 MM	title TERMINAL BLOCK PLUGGABLE SOCKET, WITH LATCH, RIGHT ANGLE
				scale	dwg no OQxx12x103J0G
		dr	HANKE FENG 032614		sheet 1 of 1 size A4
		enr	HANKE FENG 032614		
		chr	SHI JUN 032614		
		appd	SHI JUN 032614		
sheet index	revision sheet	A	1		type CUSTOMER Drawing