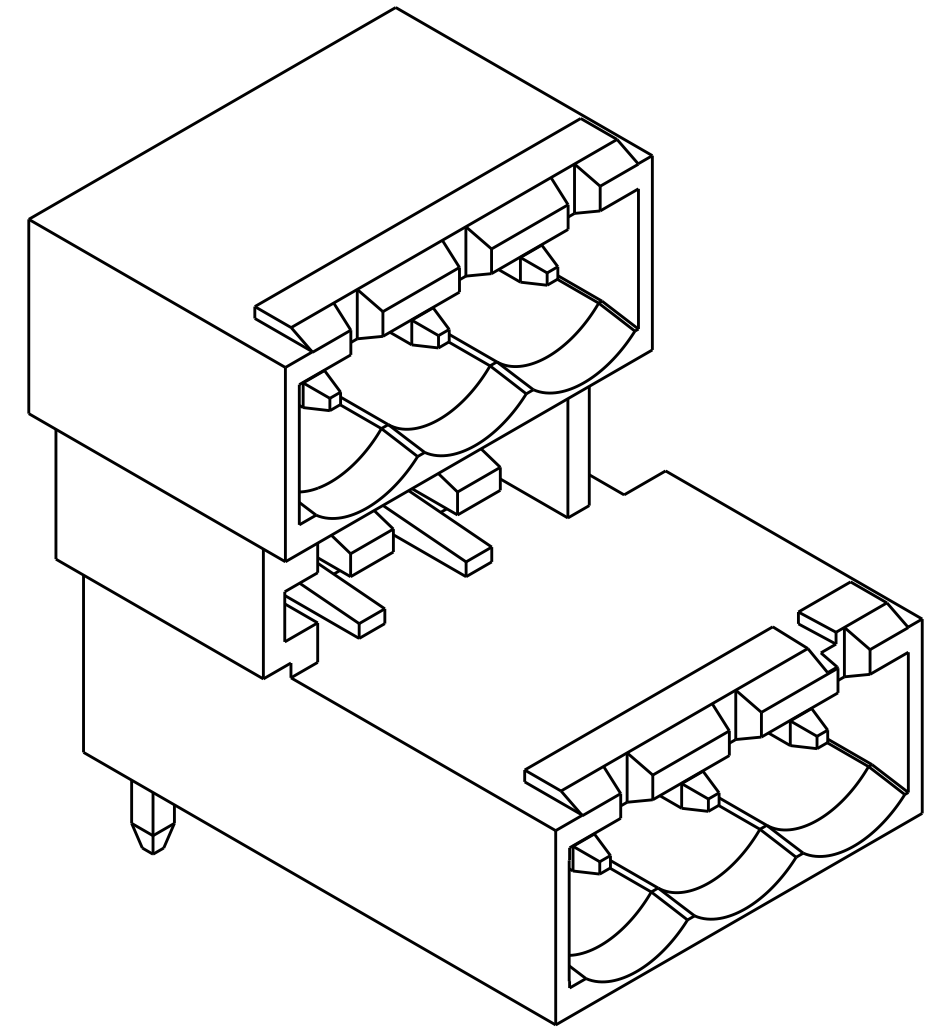
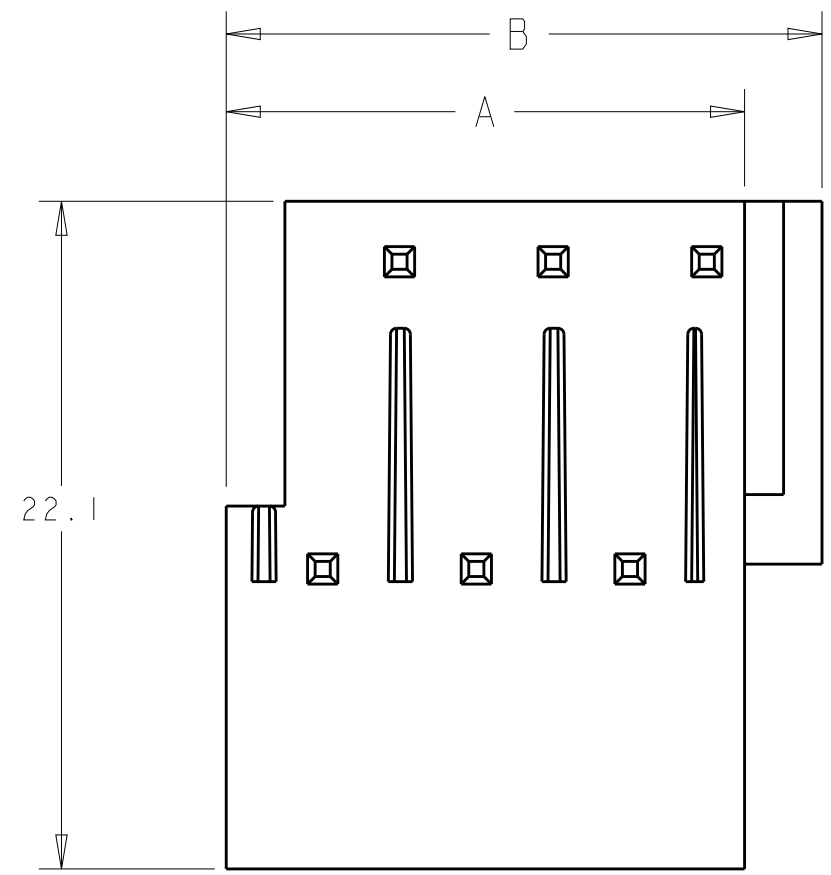


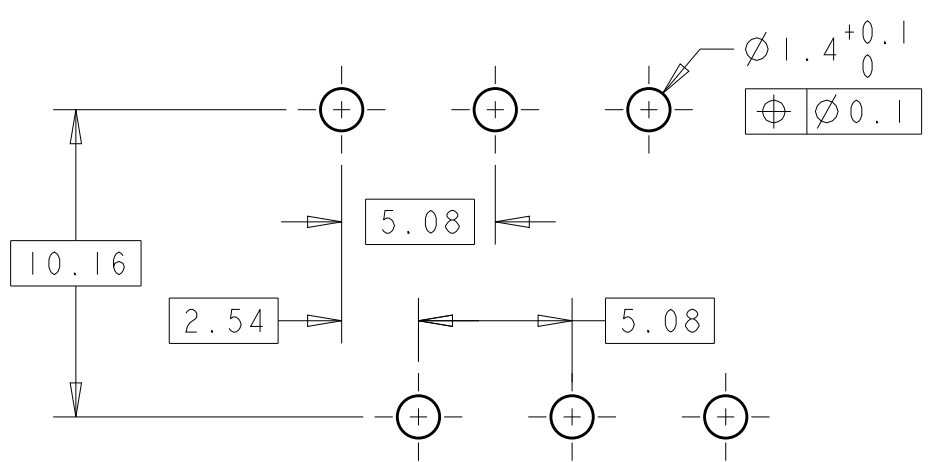
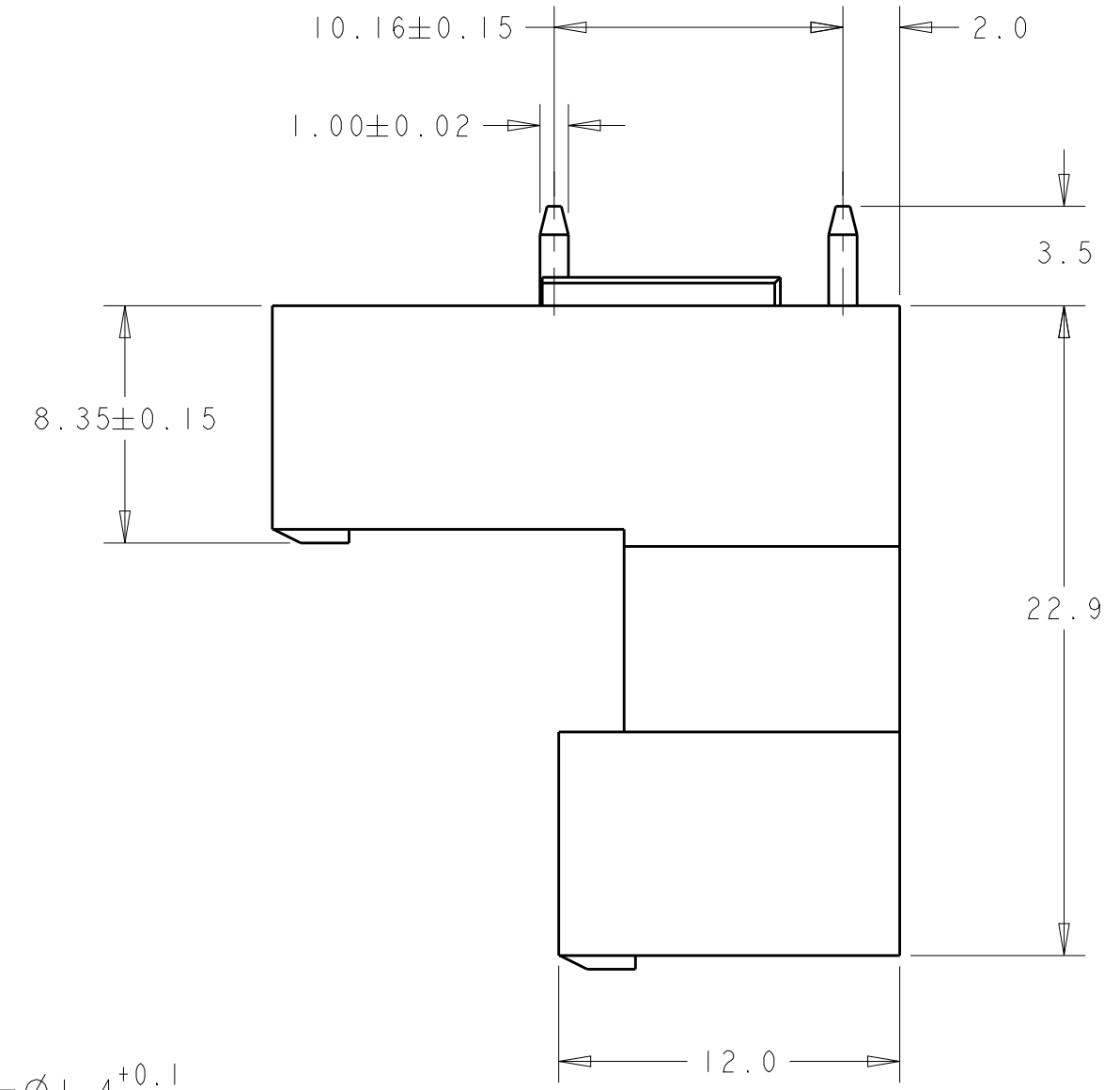
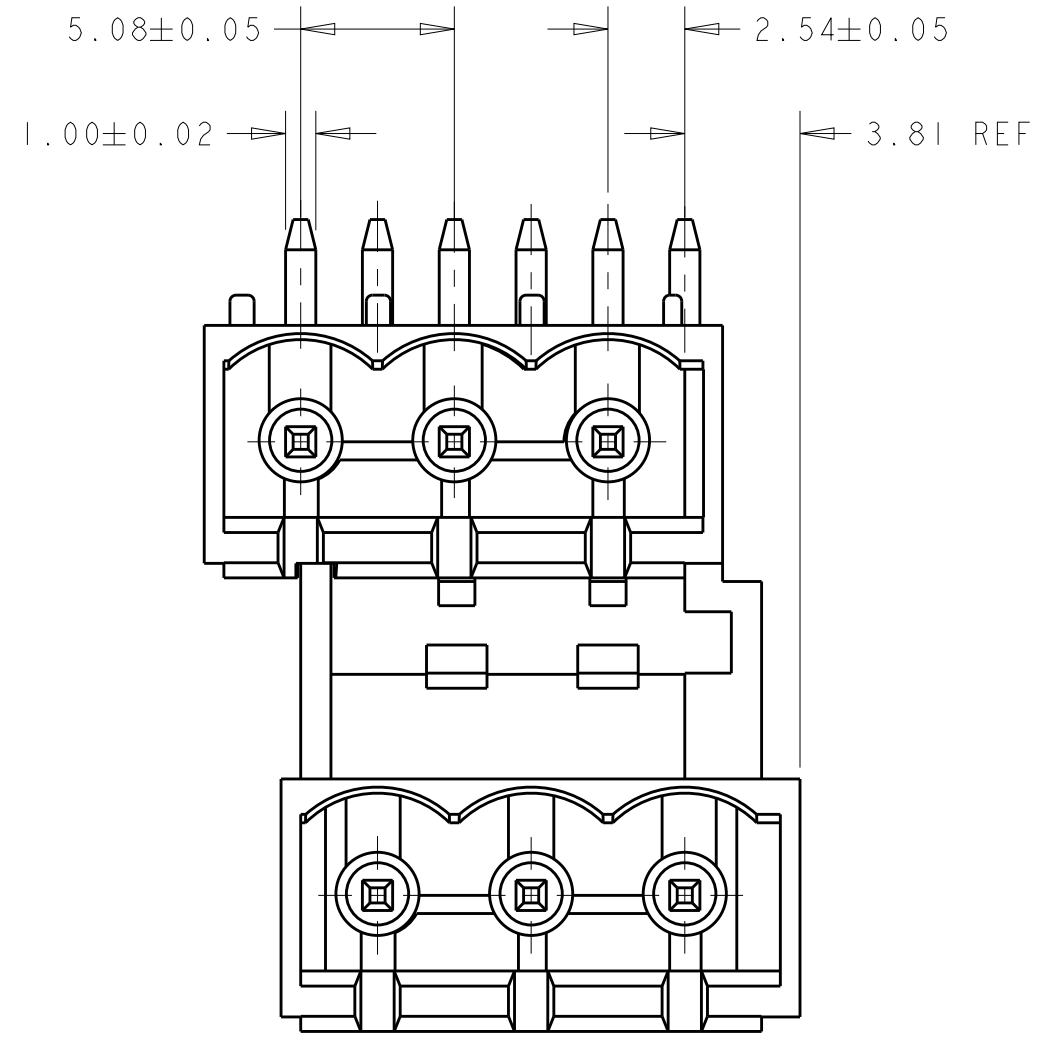
THIS DRAWING IS UNPUBLISHED. RELEASED FOR PUBLICATION 20
 © COPYRIGHT 20 BY - ALL RIGHTS RESERVED.

LOC	DIST	REVISIONS			
P	LTR	DESCRIPTION	DATE	DWN	APVD
FT	0	B	REVISED PER ECO-12-013994	02AUG2012	KH MS



1. MATERIALS AND FINISH
 HOUSING: HIGH TEMPERATURE POLYAMIDE, UL 94V-0 RATED, COLOR: BLACK.
 TERMINAL: COPPER ALLOY, TIN PLATED.
 2. SUITABLE FOR 1,6-2,4mm PC BOARD THICKNESS.

1776167-3 AS SHOWN



RECOMMENDED PC BOARD LAYOUT

45.22	42.68	8	1776167-8
40.14	37.60	7	1776167-7
35.06	32.52	6	1776167-6
29.98	27.44	5	1776167-5
24.90	22.36	4	1776167-4
19.82	17.28	3	1776167-3
14.74	12.20	2	1776167-2
B	A	NO OF POSN	PART NUMBER

THIS DRAWING IS A CONTROLLED DOCUMENT.

DWN	S. WELDON	19 JUL 2005
CHK	C. RICHARD	19 JUL 2005
APVD	C. RICHARD	19 JUL 2005

STE TE Connectivity

NAME: TERMINAL BLOCK HEADER ASSEMBLY, MULTIPLE, 90 DEGREE, CLOSED ENDS, 5.08mm PITCH

SIZE	CAGE CODE	DRAWING NO	RESTRICTED TO
A2	00779	C-1776167	-

MATERIAL: \triangle TOLERANCES UNLESS OTHERWISE SPECIFIED:
 0 PLC ±3
 1 PLC ±.25
 2 PLC ±.
 3 PLC ±.
 4 PLC ±.
 ANGLES ±2
 FINISH \triangle

CUSTOMER DRAWING SCALE 4:1 SHEET 1 OF 1 REV B