

4

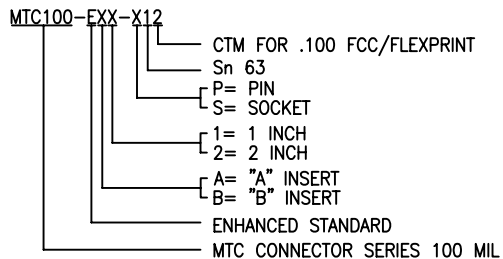
3

2

1

NOTES:

1. PART NUMBER VARIABLE:



2. MATERIAL:

- A) PIN/SOCKET INSERT HIGH GRADE POLYARYLENE THERMOPLASTIC.
- B) PIN CONTACT COPPER ALLOY PER ASTM B36, ASTM B36M
- C) SOCKET CONTACT COPPER ALLOY PER ASTM B103, ASTM B103M (A).
- D) CABLE AND INSERT SEAL MODIFIED THERMOPLASTIC HOT MELT SEALANT.
- E) INTERFACIAL SEAL FLUOROSILICONE PER MIL-R-25988.
- F) TERMINATION MODULE TRANSPARENT BLUE HEAT SHRINKABLE, RADIATION CROSS LINKED PVF .2

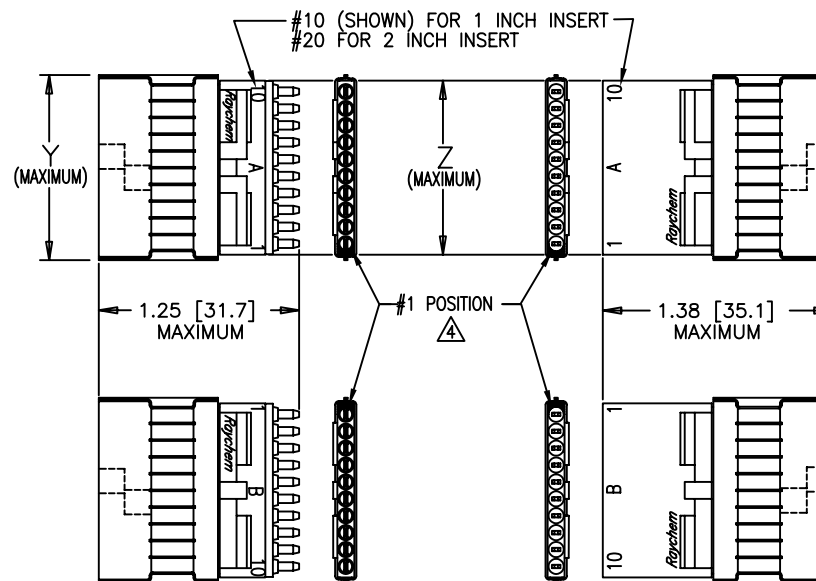
3. FINISH:

- A) PIN/SOCKET INSERT AS MOLDED.
- B) PIN/SOCKET CONTACT GOLD PLATE PER ASTM B488, CLASS 1,TYPE 2, GRADE C.
- C) CONTACT TAIL SOLDER COATED PER IPC J-STD 006 (Sn63), FLUX COATED PER IPC J-STD 006, TYPE RMA.

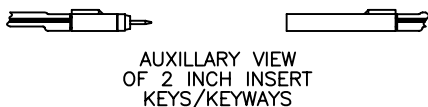
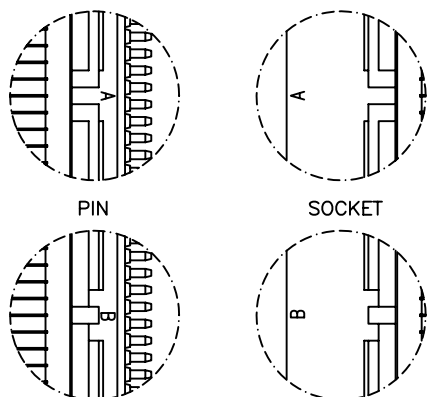
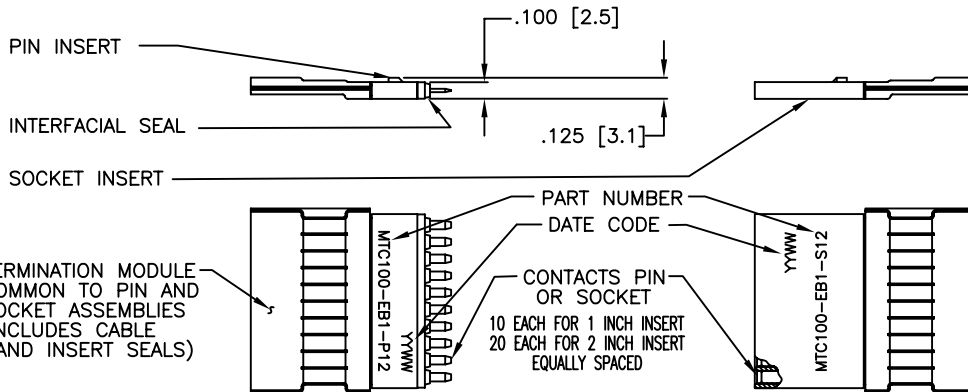
4. NUMBER ONE POSITION IS MARKED AS SHOWN IN CONTRASTING COLOR ON INTERFACE.

5. THESE INSERTS MEET THE REQUIREMENTS OF RAYCHEM SPECIFICATION C-6111.

REVISIONS			
LTR	DESCRIPTION	DATE	APPROVED
D	REVISED PER ECN T-19487	FEB-08-05	M. HIGGY
E	PER ECO-10-004620	MAR-3-2010	M. HIGGY



SIZE	WEIGHT MAXIMUM		DIM. "Y"	DIM. "Z"
	LBS.	GRAMS		
1 INCH INSERT	PIN	.0053	1.15 [29.2]	1.05 [26.7]
	SOC.	.0060		
2 INCH INSERT	PIN	.0103	2.15 [54.6]	2.05 [52.1]
	SOC.	.0119		



AUXILLARY VIEW OF 2 INCH INSERT KEYS/KEYWAYS

If this document is printed it becomes uncontrolled. Check for the latest revision

©2010 Tyco Electronics Corporation. All rights reserved.

CUSTOMER DRAWING

UNLESS OTHERWISE SPECIFIED DIMENSIONS ARE IN INCHES. METRIC DIMENSIONS ARE IN BRACKETS.  DECIMALS .XXX ± .005 } .13 mm .XX ± } mm ANGLES .X ±	DRAWN	LUTTICKEN	87SEPT15		Raychem Interconnect 320 Constitution Drive Menlo Park, CA 94025 U.S.A.	
	CHECKED	J.B.				
	APPROVED	J.BLAIR	87OCT02	TITLE	ASSEMBLY, INSERT, FLAT CABLE TERMINATION, TEMPERATURE RATING 125 CELSIUS DEGREE MTC 100 SERIES	
	APPROVED			SIZE	CAGE CODE: 06090	DWG. NO. MTC100-EXX-X12
WEIGHT: MAXIMUM SEE TABULATION	THIRD ANGLE PROJECTION	MTC100-EXX-X12		SCALE: NONE SHEET 1 OF 1		

4

3

2

1

DWG. NO. MTC100-EXX-X12 SHEET 1