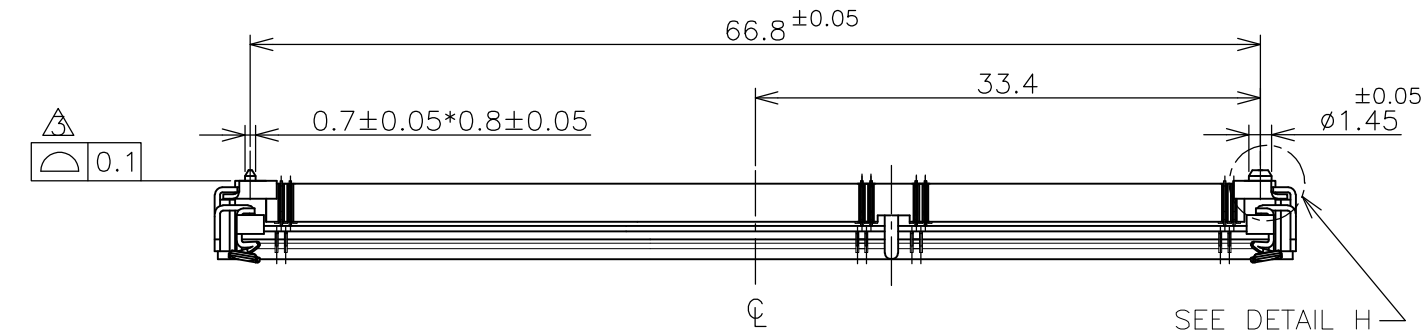
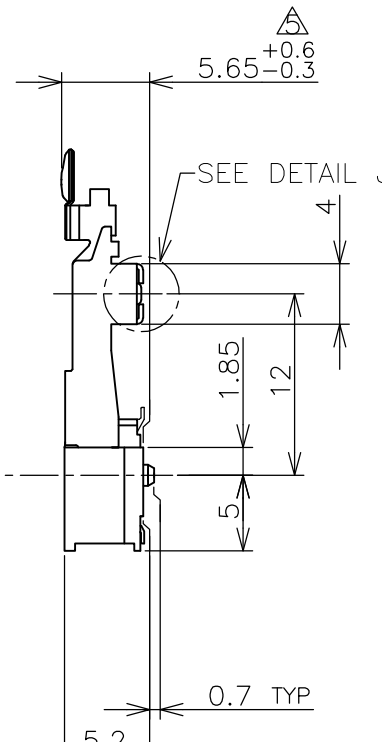
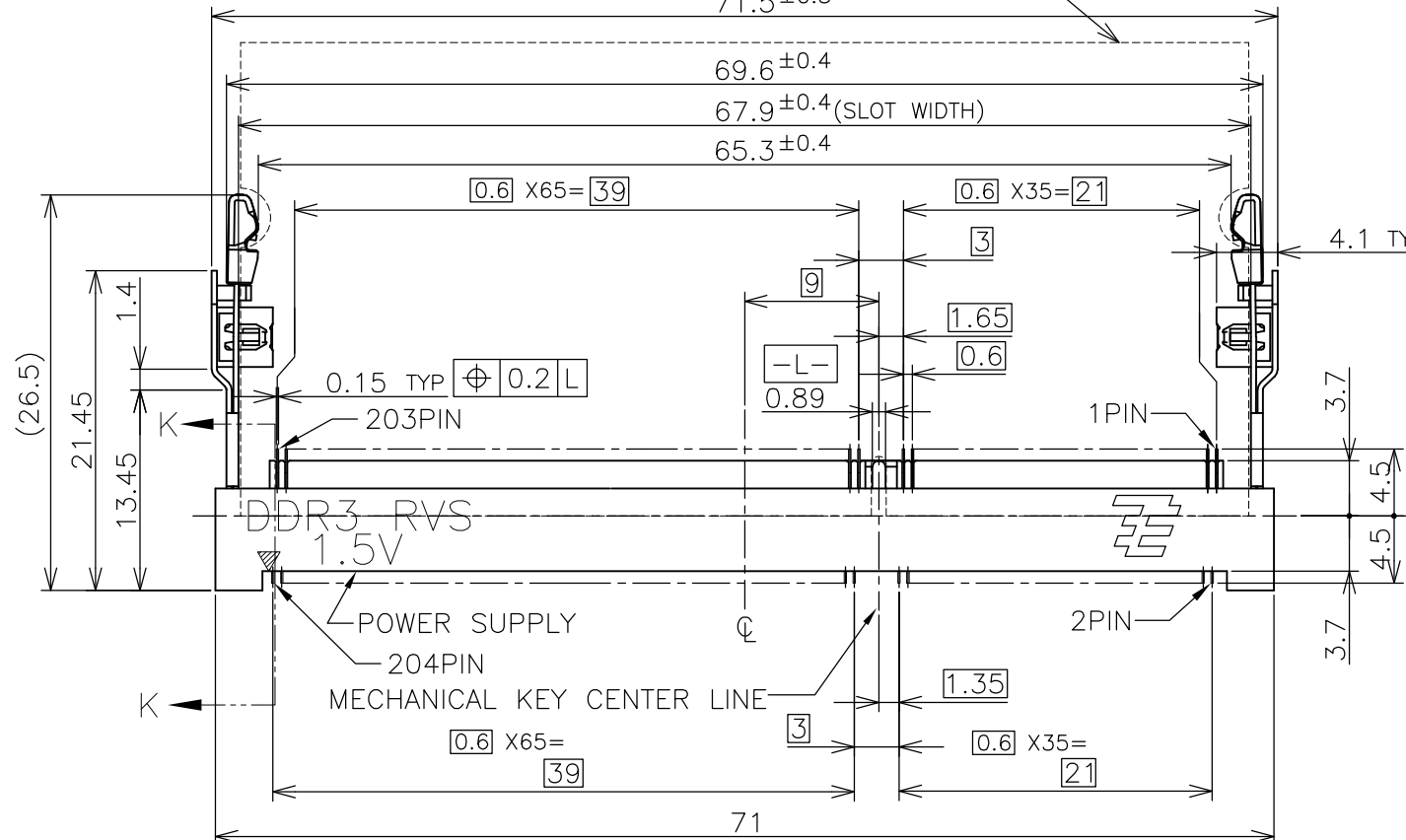


LOC		DIST		REVISIONS			
P	LTR	DESCRIPTION		DATE	DWN	APVD	
	C	REVISED PER ECR-12-004002		01MAR2012	W.W	C.W	

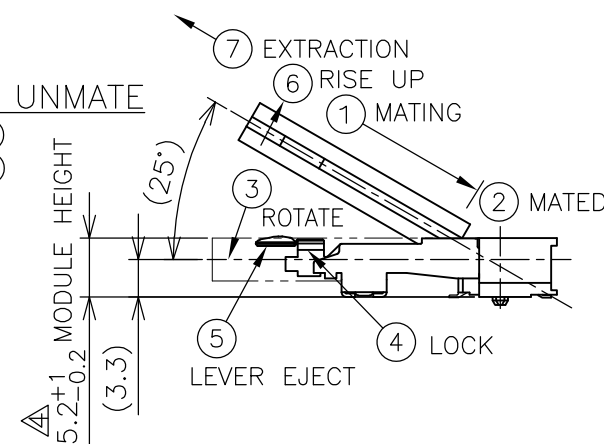


RECOMMENDED MATING P.C.B OUTLINE
71.5±0.5



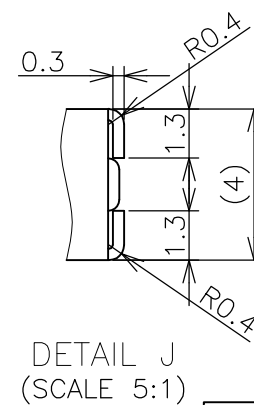
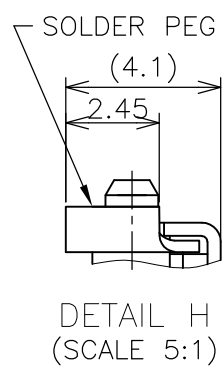
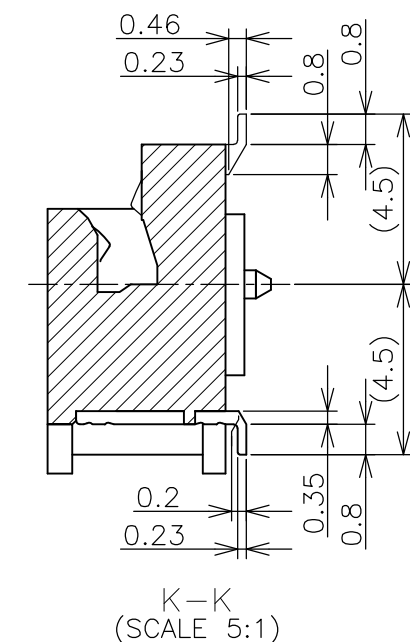
HOW TO MATE AND UNMATE

- MATE: ① → ④
UNMATE: ⑤ → ⑦



(APPLIED TO SHEET 1-2)

- MATERIAL ; HOUSING: HIGH TEMPERATURE THERMO PLASTIC UL94V-0
COLOR: SEE TABLE
CONTACT: COPPER ARROY
LOCK LEVER: STAINLESS STEEL
PEG: COPPER ARROY
 - 2-1. FINISH ; CONTACT AREA: GOLD FLASH
ALL OVER NICKEL.
SOLDERING AREA: GOLD FLASH PLATING
PEG: MATTE TIN PLATING.
 - 2-2. FINISH ; CONTACT AREA: 0.000254MIN GOLD
ALL OVER NICKEL.
SOLDERING AREA: GOLD FLASH PLATING
PEG: MATTE TIN PLATING.
- △ COPLANARITY: 0.1 MAX. (BEFORE SOLDERING)
△ THE FLOATING VALUE BY SOLDERING IS NOT INCLUDED.
△ NOT MATING CONDITION.
6. IF THE MODULE DOESN'T INSERT AND LOCK IN THE LATCH SMOOTHLY, OPEN WIDE BOTH LATCHES BY MANUAL. AND THE MODULE MUST BE INSERTED AND LOCKED IN THE LATCH.



GENERAL TOLERANCE
10 ≥ : ±0.2
30 ≥ > 10 : ±0.25
100 ≥ > 30 : ±0.3
ANGLES : ±3°

AVAILABLE	EMBOSS (SEE SHEET 4)	WITHBOSS	BLACK	NOTE 2-2	1.5V	204	1932208-2
AVAILABLE	EMBOSS (SEE SHEET 4)	WITHBOSS	BLACK	NOTE 2-1	1.5V	204	1932208-1
TOOLING STATUS	PACKAGING TYPE	REMARK	HOUSING COLOR	FINISH	POWER SUPPLY	POS	PART NO.

THIS DRAWING IS A CONTROLLED DOCUMENT.

DWN	B.WONG	25JUN09
CHK	W.COREL	25JUN09
APVD	Y.STEVEN	25JUN09
PRODUCT SPEC	NAME	
APPLICATION SPEC	108-78493	
WEIGHT	4.4g	RESTRICTED TO
CUSTOMER DRAWING	SCALE 2:1	SHEET 1 OF 4

STE TE Connectivity

DDR3 SODIMM SOCKET
0.6mm PITCH 204POS
5.2mm HEIGHT REVERSE TYPE

SIZE A3 CAGE CODE 00779 DRAWING NO C-1932208

THIS DRAWING IS UNPUBLISHED.

RELEASED FOR PUBLICATION

SEP , 2007.

© COPYRIGHT 2007 By -

ALL RIGHTS RESERVED.

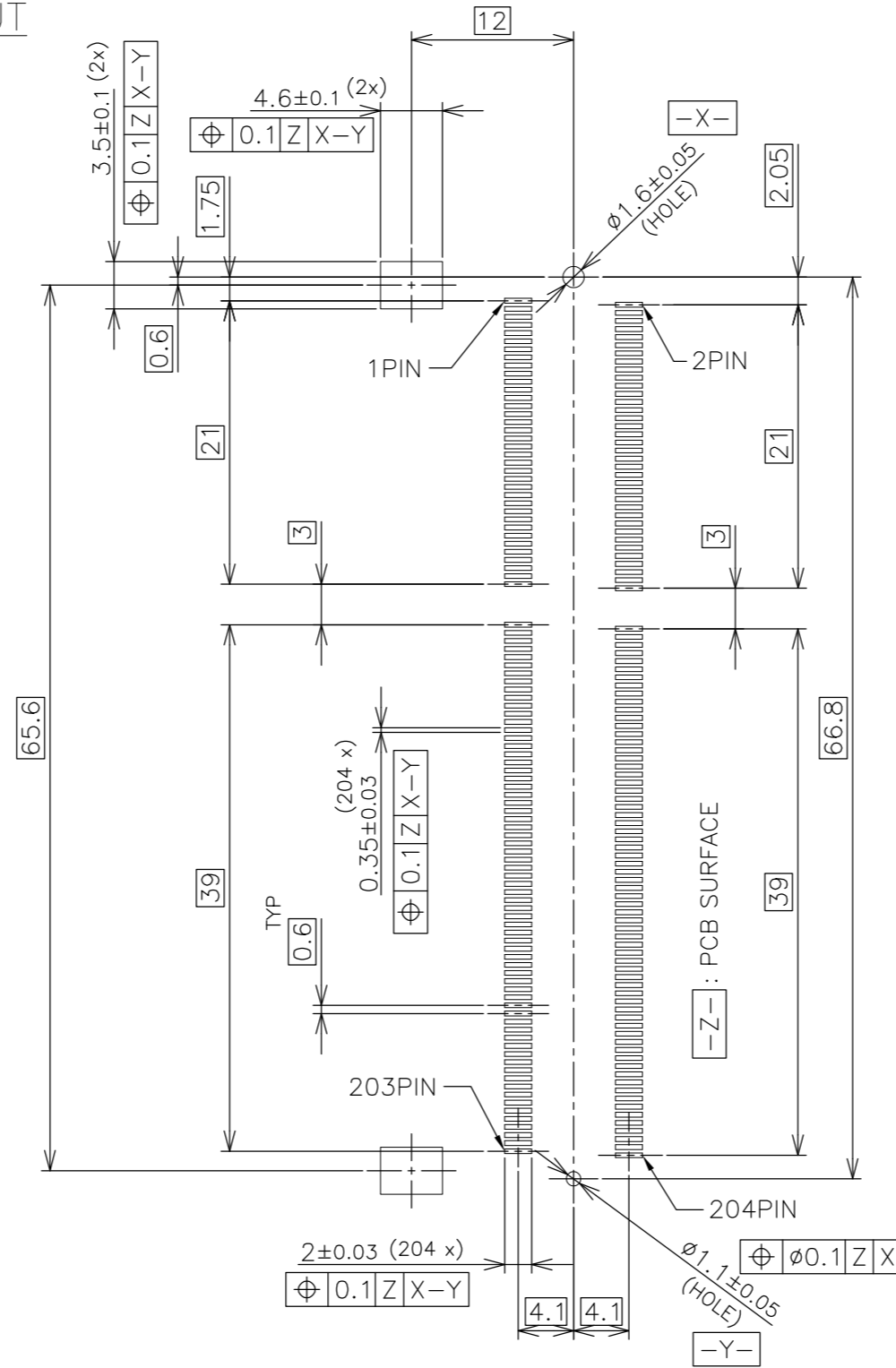
LOC
ES

DIST
/


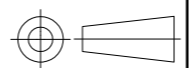
REVISIONS

P	LTR	DESCRIPTION	DATE	DWN	APVD
-	-	SEE SHEET 1	-	-	-

REFERENCE P.C.BOARD PATTERN LAYOUT (CONNECTOR MOUNTING SIDE)

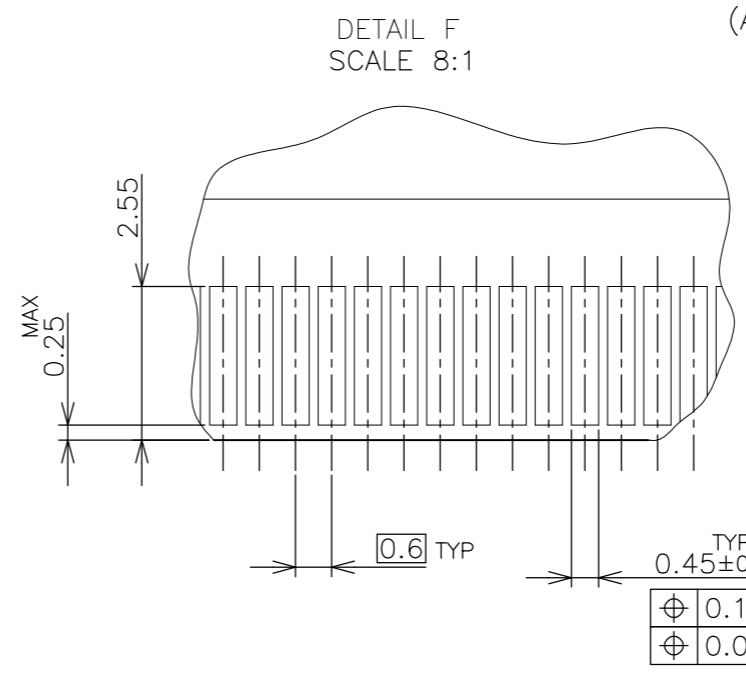
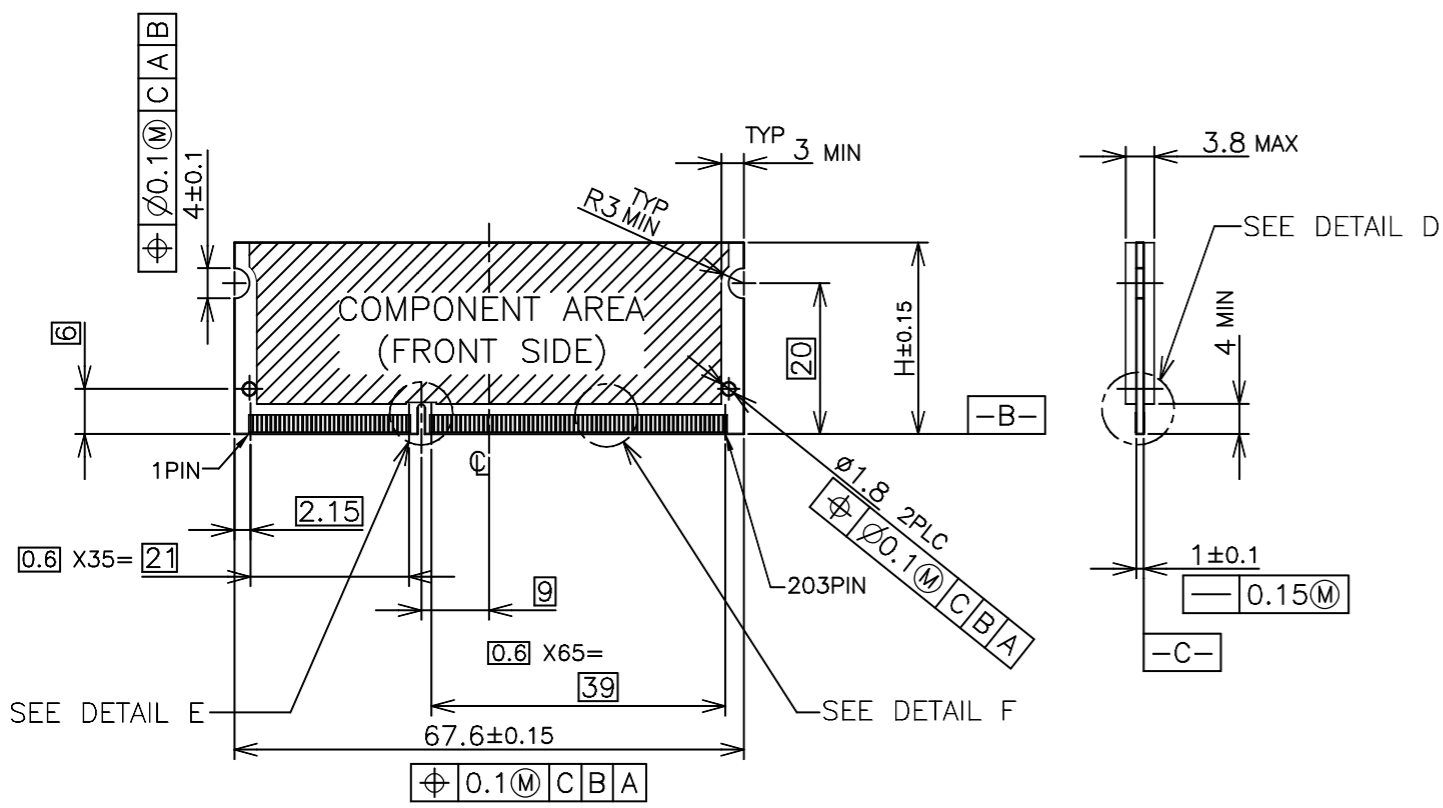


RVS TYPE

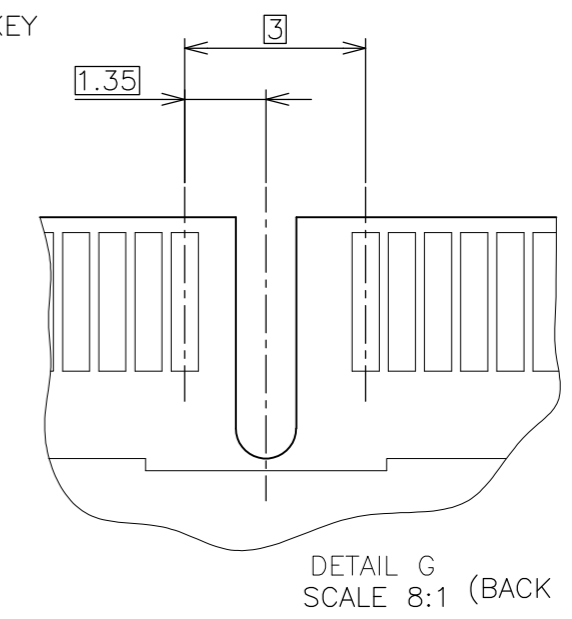
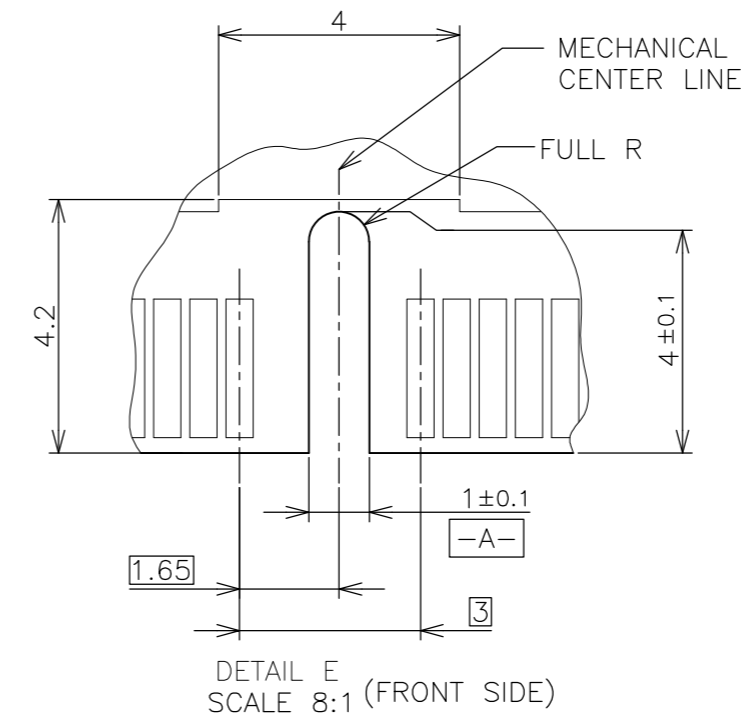
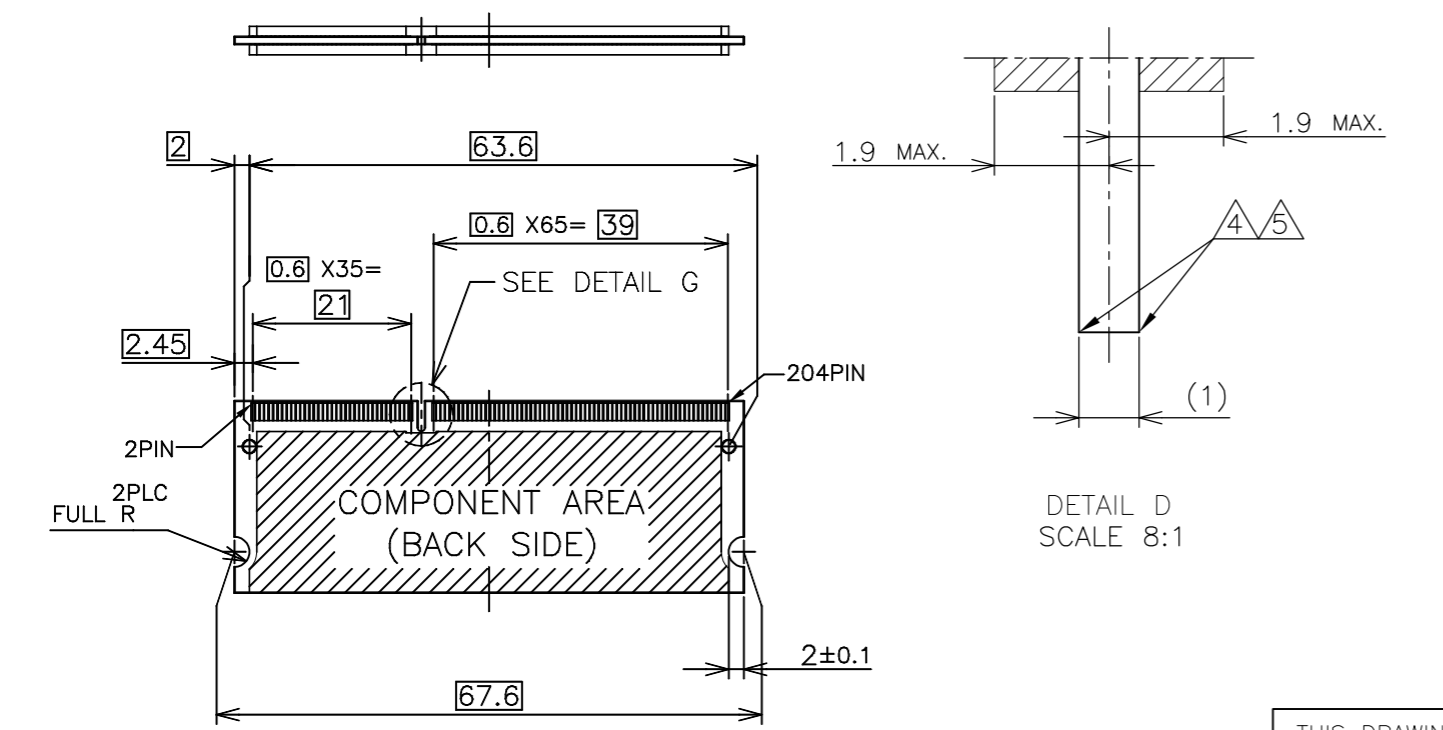
THIS DRAWING IS A CONTROLLED DOCUMENT.		DWN		 TE Connectivity			
DIMENSIONS: MM		CHK				NAME	
		APVD				DDR3 SODIMM SOCKET 0.6mm PITCH 204POS 5.2mm HEIGHT REVERSE TYPE	
MATERIAL		PRODUCT SPEC				RESTRICTED TO	
TOLERANCES UNLESS OTHERWISE SPECIFIED:		APVD		SIZE			
0 PLC ± 1 PLC ± 2 PLC ± 3 PLC ± 4 PLC ± ANGLES ± FINISH		APPLICATION SPEC		CAGE CODE			
		WEIGHT		DRAWING NO			
		CUSTOMER DRAWING		A3 00779 C-1932208			
		SCALE		SHEET			
		2:1		2 of 4			
				REV			
				C			

P	LTR	DESCRIPTION	DATE	DWN	APVD
-	-	SEE SHEET 1	-	-	-

REFERENCE MATING P.C.B CONFIGURATION



- (APPLIED TO SHEET 3)
1. TOLERANCES ON ALL DIMENSIONS ± 0.15 UNLESS OTHERWISE SPECIFIED.
 2. P.C. BOARD THICKNESS APPLIES ACROSS TABS AND INCLUDES PLATING AND/OR METALIZATION.
 3. FINISH OF PAD : GOLD PLATING 0.00076 MIN. OVER Ni PLATING 0.002 MIN.
- NO BURR
CHAMFER $0.25 MAX \times 45^\circ$ IF EXIST.



30	CA
31.75	BA
25.4	AA
H	SDRAM VARIATIONS

THIS DRAWING IS A CONTROLLED DOCUMENT.		DWN	TE Connectivity			
DIMENSIONS: MM		CHK				
TOLERANCES UNLESS OTHERWISE SPECIFIED:		APVD				
0 PLC \pm 1 PLC \pm 2 PLC \pm 3 PLC \pm 4 PLC \pm ANGLES \pm FINISH \pm		PRODUCT SPEC				
MATERIAL		APVD	NAME			
		APVD	DDR3 SODIMM SOCKET			
		APVD	0.6mm PITCH 204POS			
		APVD	5.2mm HEIGHT REVERSE TYPE			
		APVD	SIZE	CAGE CODE	DRAWING NO	RESTRICTED TO
		APVD	A3	00779	C-1932208	-
		APVD	CUSTOMER DRAWING		SCALE	SHEET
		APVD			2:1	3 of 4
		APVD				REV
		APVD				C

THIS DRAWING IS UNPUBLISHED. RELEASED FOR PUBLICATION SEP, 2007. ALL RIGHTS RESERVED.

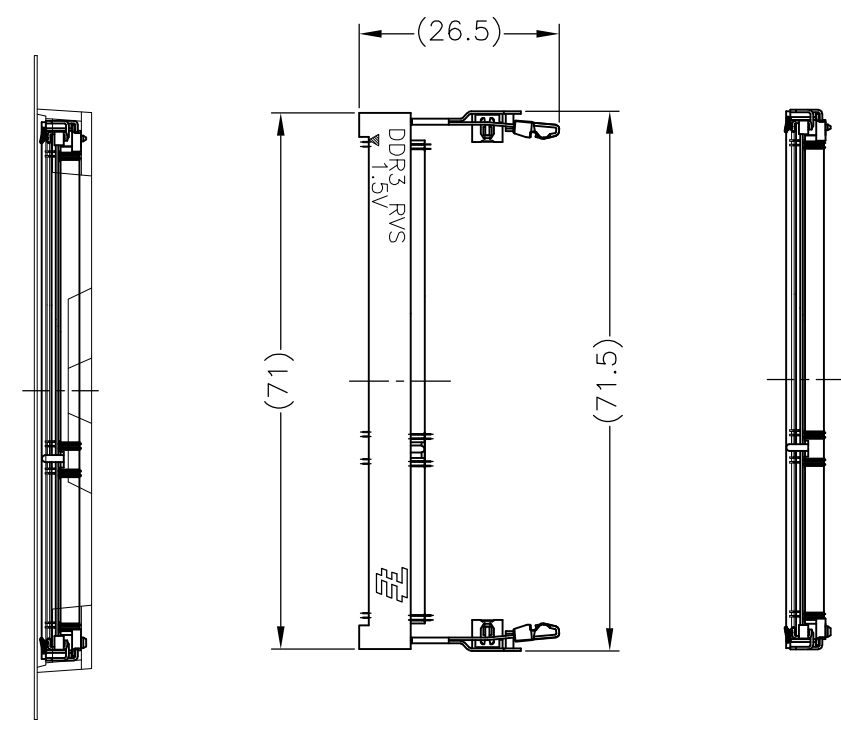
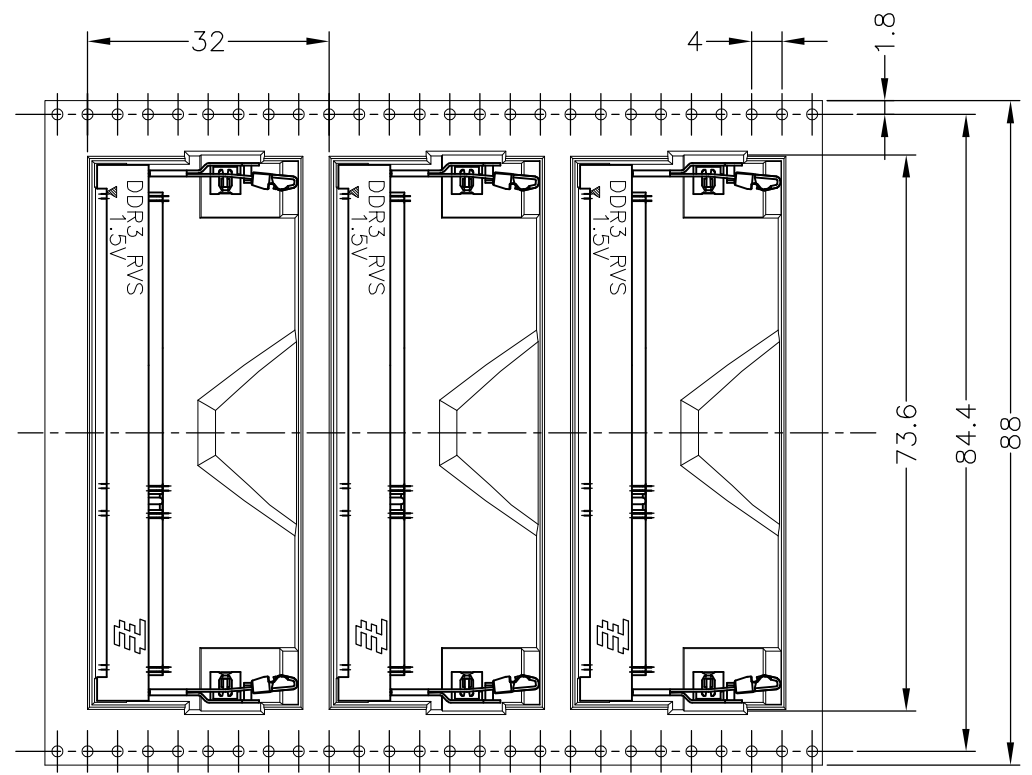
© COPYRIGHT 2007 By -

LOC ES DIST

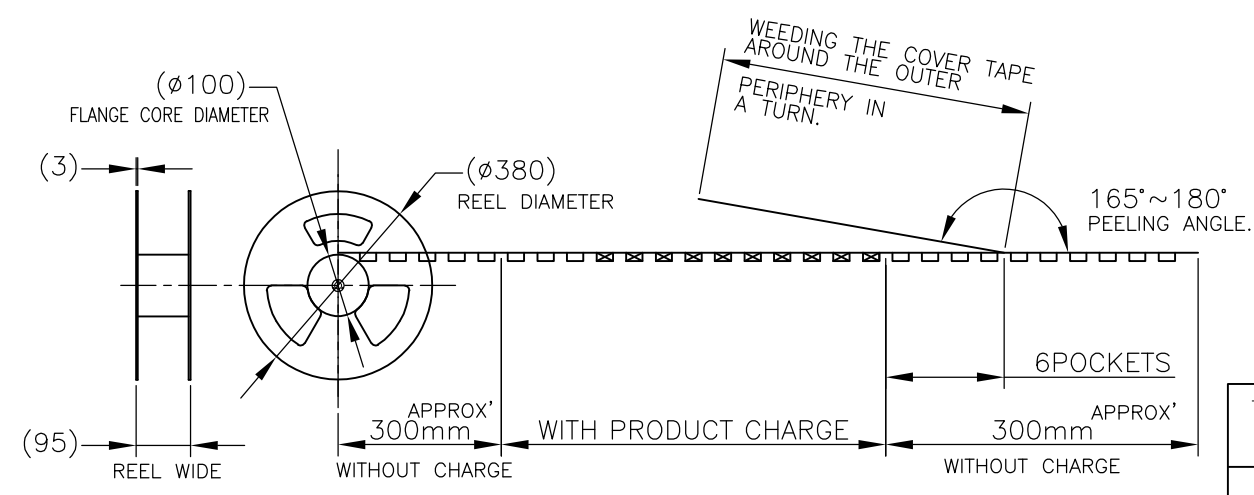
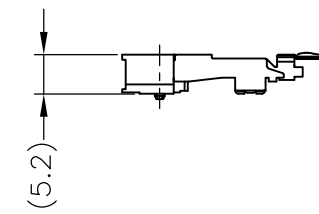
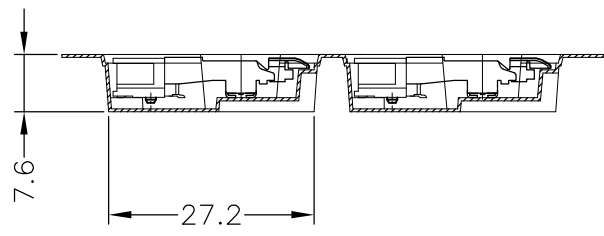
REVISIONS

P	LTR	DESCRIPTION	DATE	DWN	APVD
-	-	SEE SHEET 1	-	-	-

DIRECTION OFF TOP OF REEL →



- (APPLIED TO SHEET 4)
1. THE DIRECTION OF EACH CONNECTOR ON A REEL IS REFERRED TO THIS DRAWING.
 2. GENERAL TOLERANCE: ± 0.5 , $\pm 3^\circ$



FREE SCALE

THIS DRAWING IS A CONTROLLED DOCUMENT.

DIMENSIONS: MM	TOLERANCES UNLESS OTHERWISE SPECIFIED:
	0 PLC ± 0.5
	1 PLC ± 0.5
	2 PLC ± 0.5
	3 PLC ± 0.5
	4 PLC ± 0.5
	ANGLES $\pm 3^\circ$
MATERIAL	FINISH

DWN
CHK
APVD
PRODUCT SPEC
APPLICATION SPEC
WEIGHT
CUSTOMER DRAWING

300EA	1932208-2
300EA	1932208-1
QTY/REEL	PART NO.
STE TE Connectivity	
NAME DDR3 SODIMM SOCKET 0.6mm PITCH 204POS 5.2mm HEIGHT REVERSE TYPE	
SIZE	CAGE CODE
A3	00779
DRAWING NO	RESTRICTED TO
C-1932208	-
SCALE 1:2	SHEET 4 OF 4
REV C	