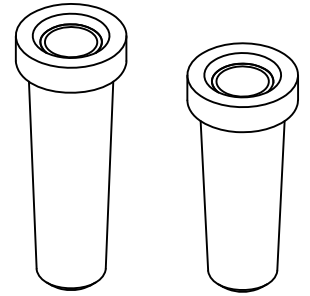
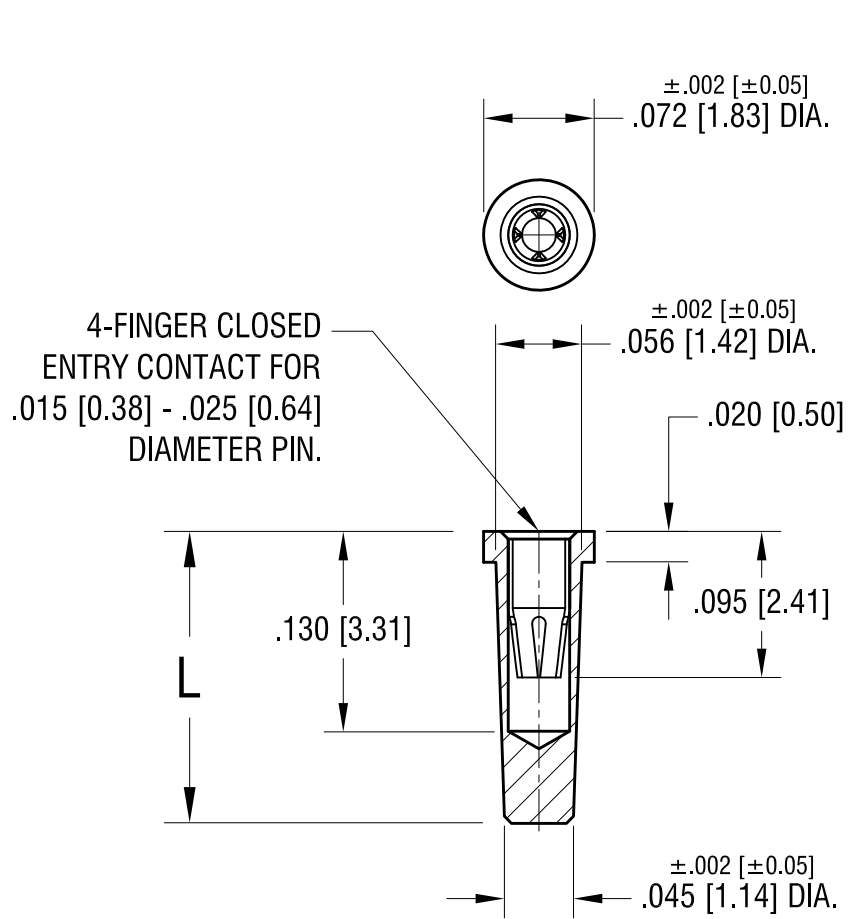


THIS DOCUMENT IS THE PROPERTY OF KEYSTONE ELECTRONICS CORP. AND SHALL NOT BE REPRODUCED, DISTRIBUTED OR USED AS A BASIS FOR MANUFACTURE WITHOUT PRIOR WRITTEN PERMISSION FROM KEYSTONE ELECTRONICS CORP.



NOTES:

1. BODY: MAT'L - BRASS
SPRING CONTACT: MAT'L - BERYLLIUM COPPER
2. MOUNTING HOLE DIA.: .055 [1.40]

PART NO.	'L' DIM.
1415-1	.160 [4.06]
1415-2	.190 [4.83]

2.22.11	CHANGE AS PER ECN 11-019	A
DATE	DESCRIPTION	REV.

KEYSTONE ELECTRONICS CORP.			
www.keyelco.com • ASTORIA, N.Y. 11105-2017 • Tel (718) 956-8900			
PART NAME MICRO JACK, TAPER-FIT			
MATERIAL AS NOTED			
FINISH GOLD PLATE		DRN BY BOONE	DATE 2.15.07
		APP'D LN	SCALE 8X
TOLERANCES	INCH [MM]	CODE	DWG NO.
DECIMAL	± .005 [± 0.13]	C/M	1415-1 - 1415-2
ANGULAR	± 1°		
UNLESS OTHERWISE SPECIFIED			