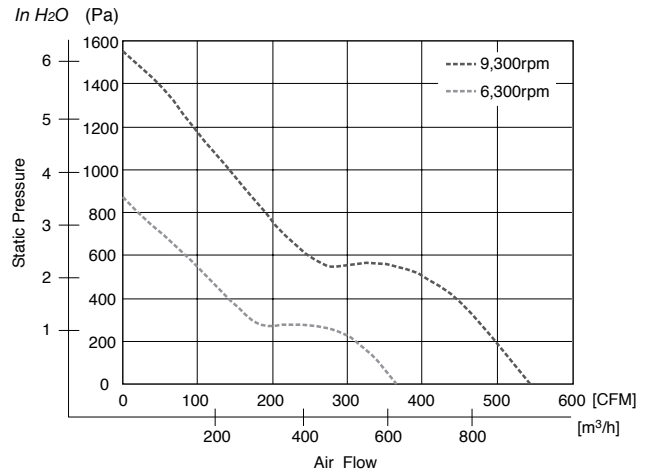




Characteristic Curves



General Specifications

Motor Protection:

Locked Rotor, Reverse Polarity

Insulation Resistance:

10M Ω min measured with 500V DC between all leads shorted together and case

Dielectric Withstand Voltage: AC 700V 1 minute

Allowable Ambient Temperature Range:

-30°C ~ +70°C (Operating)
-40°C ~ +80°C (Storage)

Expected Life

Failure Rate: 10%

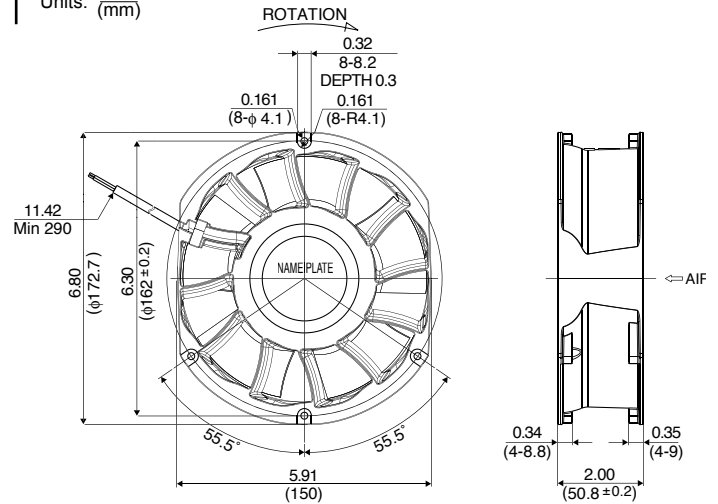
40°C 70,000 Hours (L10)

Material

- Casing : Aluminum
- Impeller : Plastic
- Bearing : Ball Bearing
- Lead Wire: UL3266, AWG22, +Red, -Black,
Speed Control = Yellow,
Speed Signal = White

Outline

Units: $\frac{\text{inch}}{\text{(mm)}}$



Specifications

MODEL	Rated Voltage	Operating Voltage	Current	Input Power	Speed	Max. Air Flow		Max. Static Pressure		Noise	Mass
	(V)	(V)	(A) ^{*1}	(W) ^{*1}	(min ⁻¹) ^{*1}	CFM ^{*1}	(m³/min) ^{*1}	in H ₂ O	(Pa) ^{*1}	(dB) ^{*1}	(g)
R150A3-051-D0790	48	30 ~ 72	4.10	196.8	9300	544	15.41	6.21	1550	85	1000
R150A1-051-D0760	48	30 ~ 72	1.50	72.0	6300	365	10.33	3.48	870	73	1000

Rotation: Clockwise

Airflow Outlet: Air Out Over Struts

*1: Average Values in Free Air and Rated Voltage Condition