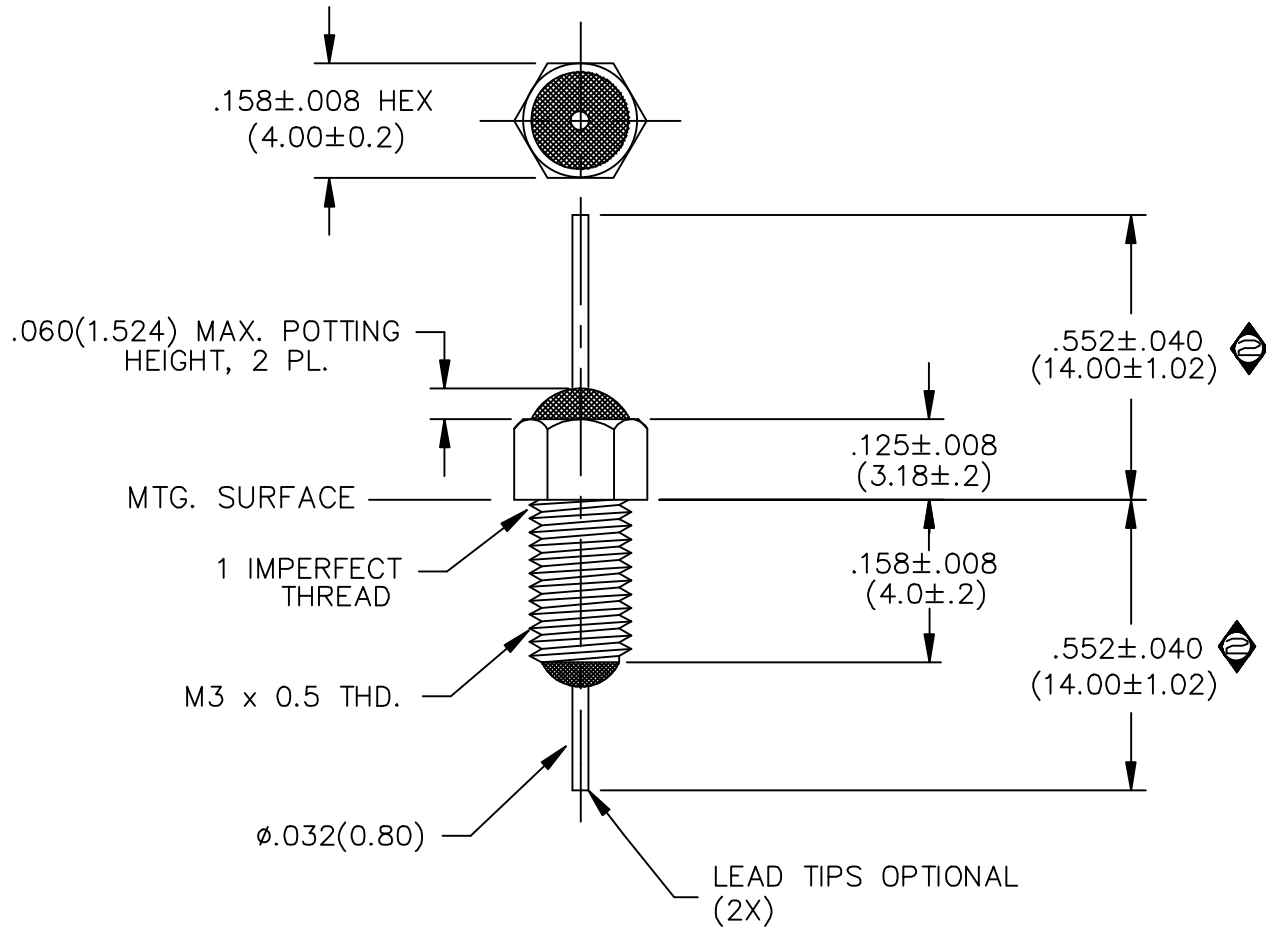
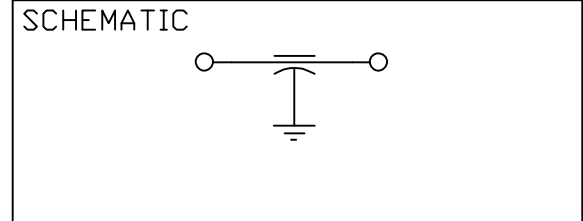


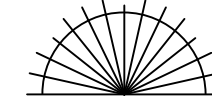
NOTES:
1. HARDWARE IS NOT INCLUDED.



LEAD FINISH:	SILVER PL.
BUSHING FINISH:	SILVER PL.
CAPACITANCE	1000pF MIN
TEMP. RANGE	-55°C TO 125°C
CURRENT	10 AMP MAX.
WORKING VOLTAGE	100 VDC MAX.
D.C. RESISTANCE	.01ohms MAX.
DIELECTRIC WITHSTANDING VOLTAGE	250 VDC



MARKING:
PART: S863007
BAG: SCI
54-863-007
DATE CODE
LOT NO.
QTY/BAG (200 MAX.)

				REV. NO.	TOLERANCES UNLESS OTHERWISE SPECIFIED	 ERIE, FAIRVIEW PENNSYLVANIA SPECTRUM CONTROL INC.
				CHANGE NOTICE	Fractions ± 1/64	
	CN 206597 02	CN 204301 01	CN 201388 00		Dec. .xx±	Dwn. KRDZALIC
		REDRAWN			Dec. .xxx±.010	Ckd. 4/9/02
					Angles ±0° 30'	Apvd.
					CODE IDENT. NO. DLSP2	Scale NONE
						Description FT
						RESIN SEAL FILTER
						54-863-007

