

Bus system plug-in connector - SACC-FSD-4SC SH PN SCO - 1436741

Please be informed that the data shown in this PDF Document is generated from our Online Catalog. Please find the complete data in the user's documentation. Our General Terms of Use for Downloads are valid (<http://download.phoenixcontact.com>)




Bus system connector, socket, straight, 4-pos., M12 SPEEDCON shielded, D-coded, spring-cage connection, metal knurl, cable diameter max. 8 mm

Product Features

- ✓ Safe use in the field, thanks to a high degree of protection
- ✓ Flexible: plug-in connectors for on-site assembly
- ✓ Save time, thanks to installation with SPEEDCON rapid interlock system
- ✓ Spring-cage connection: connect more securely, even in the case of shock and vibration, thanks to high contact forces
- ✓ Reliable signal transmission - 360° shielding in environments with electromagnetic interference



Key commercial data

Packing unit	1 PCE
Catalog page	Page 76 (PC-2011)
GTIN	 4 046356 435284
Custom tariff number	85366990
Country of origin	GERMANY

Technical data

Mechanical characteristics

Standard - Electrical safety	M12 plug-in connector IEC 61076-2-101
Number of positions	4
Shielded	Yes
Insertion/withdrawal cycles	≥ 100
Connection method	Spring-cage conn.
Conductor cross section	0.14 mm ² ... 0.5 mm ²
Connection cross section AWG	26 ... 20

Bus system plug-in connector - SACC-FSD-4SC SH PN SCO - 1436741

Technical data

Mechanical characteristics

Ambient temperature (operation)	-40 °C ... 85 °C (Plug / socket)
---------------------------------	----------------------------------

Material data

Inflammability class according to UL 94	V0
Contact carrier material	TPU
Contact material	CuSn
Contact surface material	Ni/Au
Cable gland material	Nickel-plated brass
Sealing material	NBR
Degree of protection	IP67

Electrical characteristics

Number of positions	4
Nominal voltage U_N	60 V
Nominal current I_N	4 A
Transmission characteristics (category)	CAT5 (IEC 11801:2002), CAT5e (TIA 568B:2001)
Surge voltage category	II
Pollution degree	3

Classifications

ETIM

ETIM 3.0	EC002062
ETIM 4.0	EC002062
ETIM 5.0	EC002062

UNSPSC

UNSPSC 11	31251501
UNSPSC 12.01	31251501
UNSPSC 13.2	31251501
UNSPSC 6.01	31251501
UNSPSC 7.0901	31251501

eCl@ss

eCl@ss 4.0	27250313
eCl@ss 4.1	27250313
eCl@ss 5.0	27143423
eCl@ss 5.1	27143423
eCl@ss 6.0	27143423

Bus system plug-in connector - SACC-FSD-4SC SH PN SCO - 1436741

Classifications

eCl@ss

eCl@ss 7.0	27449001
------------	----------

Approvals

Approvals


Approvals

GOST

Ex Approvals

Approvals submitted

Approval details

GOST 
--

Accessories

Accessories

Protection and sealing elements

Screw plug - PROT-M12 MS-PA-CHAIN - 1430899

M12 sealing cap with fixing band, for sensor cables, for free M12 sockets



Tools

Bus system plug-in connector - SACC-FSD-4SC SH PN SCO - 1436741

Accessories

Torque screwdriver - TSD 04 SAC - 1208429



Torque screwdriver, with preset torque of 0.4 Nm and 4 mm hexagonal drive for M12 connectors

Tool - SACC BIT M12-D20 - 1208445



Nut for assembling SACC M12 connectors for free assembly, excluding M12 connectors with QUICKON fast connection technology, for 4 mm hexagonal drive

Torque screwdriver - TSD-M 1,2NM - 1212224



Torque screw driver, accuracy as per EN ISO 6789 standard, adjustable from 0.3 - 1.2 Nm

Adapter insert - TSD-M SAC-BIT ADAPTER - 1212600



Adapter bit for TSD-M...torque tools, E6.3-1/4" drive with 4 mm hexagon to accommodate SAC bits

Bus system cable - VS-OE-OE-93B/... - 1417362



CAT5e, PROFINET cable, shielded, star quad, AWG 22 stranded (7-wire), RAL 6018 (yellow-green), variable length, by the meter

Bus system plug-in connector - SACC-FSD-4SC SH PN SCO - 1436741

Accessories

Bus system cable - VS-OE-OE-93C/... - 1417491



CAT5e, PROFINET cable, shielded, star quad, AWG 22 flexible cable conduit capable (7-wire), RAL6018 (yellow-green), variable length, by the meter

Bus system cable - VS-OE-OE-93R/... - 1417388



Bus system cable, PROFINET, 4-wire, shielded, PUR, halogen-free, green outer sheath, 4 x 0.34 mm² / AWG 22, type R

Bus system cable - VS-OE-OE-936/... - 1417375



CAT5e, PROFINET cable, shielded, star quad, AWG 22 (7-wire), black, variable length, by the meter

Bus system cable - VS-OE-OE-937/... - 1402687



CAT5e, PROFINET cable, shielded, star quad, AWG 22 (7-wire), black, variable length, by the meter

Shielding foil - ALU-SB - 1404531

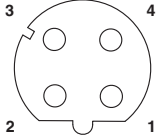
Aluminum shielding tape, for fixing the braided shield of shielded cables. Length: 4 cm, width: 1.2 cm



Drawings

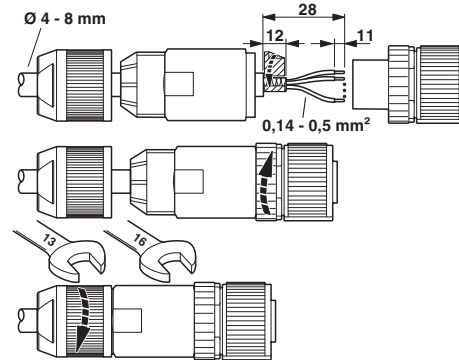
Bus system plug-in connector - SACC-FSD-4SC SH PN SCO - 1436741

Schematic diagram



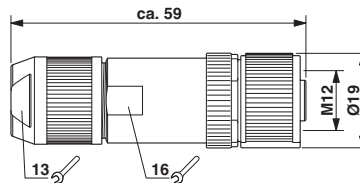
Pin assignment M12 socket, 4-pos., D-coded, female side

Functional drawing



Strip the cable, shorten the shield, strip the single wires, push the pressure nut onto the cable. Slide the wires through the sleeve housing and connect, stick shielding foil around the shortened shield, in the case of straight sleeve housing, gently twist the wires together, screw sleeve housing to the plug insert, screw the pressure nut tight.

Dimensioned drawing



Socket M12-SPEEDCON, straight, shielded