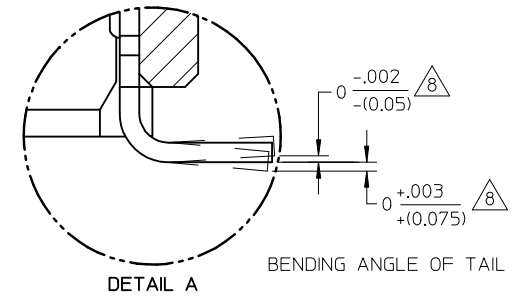
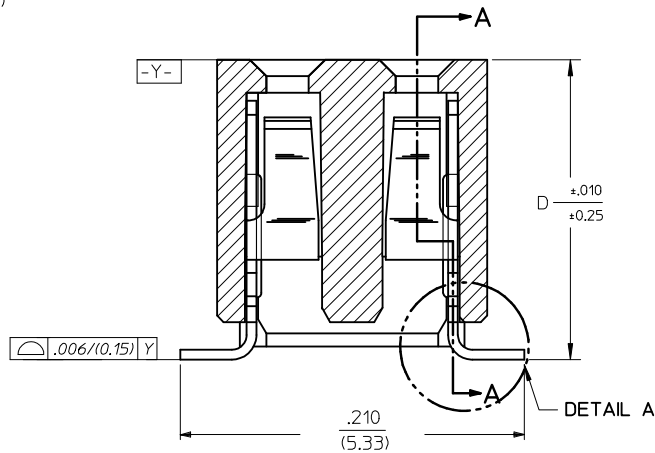
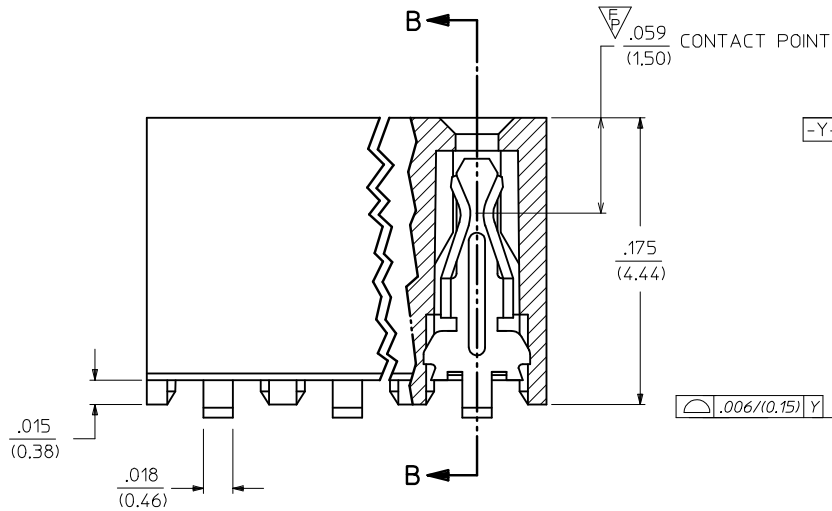


**NOTES:**

- HOUSING MATERIAL:  
LCP, GLASS FILLED, UL 94V-0  
COLOUR BLACK.
- TERMINAL MATERIAL:  
PHOSPHOR BRONZE
- SEE APPROPRIATE SHEET FOR CIRCUIT SIZE,  
PART NUMBERS AND OVERALL DIMENSIONS.
- 6 CKT WITHOUT CAP ASSY IS SHOWN FOR ILLUSTRATION ONLY.
- REFER TO PRODUCT SPEC PS-79107.
- TAPE PACKAGING PER PK-70873-0259
- CKT LOCATIONS ARE NUMBERED FROM LEFT TO  
RIGHT WHEN VIEWING ASSY FROM TOP WITH  
THE GATE RECESS ON THE RIGHT AS SHOWN.
- MEASUREMENT IS TAKEN BETWEEN THE TANGENT OF  
THE TOE TO TIP OF THE TERMINAL.

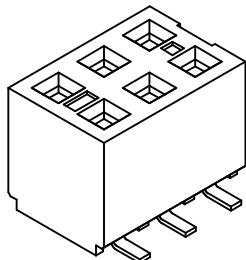
**PLATING OPTION:**

- 30u" (0.75um) MIN. GOLD PLATE IN SELECTED AREA AND  
75u" (1.88um) MIN. TIN PLATE IN SELECTED AREA OVER  
50u" (1.25um) MIN. NICKEL OVERALL.
- 15u" (0.38um) MIN. GOLD PLATE IN SELECTED AREA AND  
75u" (1.88um) MIN. TIN PLATE IN SELECTED AREA OVER  
50u" (1.25um) MIN. NICKEL OVERALL.
- 5u" (0.13um) MIN. GOLD PLATE IN SELECTED AREA AND  
75u" (1.88um) MIN. TIN PLATE IN SELECTED AREA OVER  
50u" (1.25um) MIN. NICKEL OVERALL.



SECTION A-A

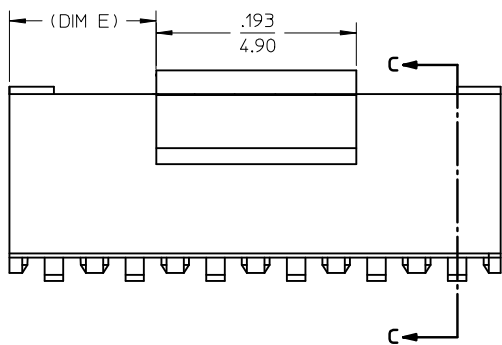
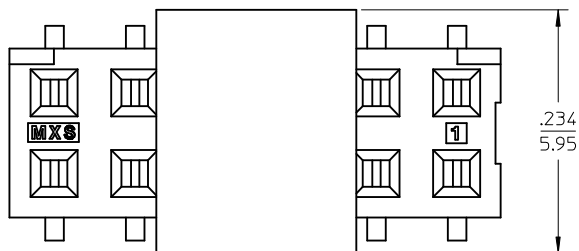
SECTION B-B



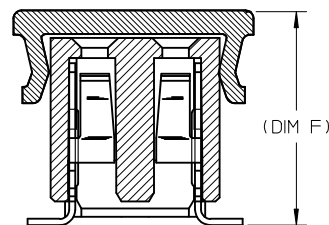
SEE SHEET 2 EC NO: S2017-0436 DRWN:GEMARLY 2017/02/18 CHKD:SCHEONG 2017/03/22 APPR:KHLIM 2017/03/24	QUALITY SYMBOLS	GENERAL TOLERANCES (UNLESS SPECIFIED)	DIMENSION STYLE IN/MM	SCALE NTS	DESIGN UNITS INCH	THIRD ANGLE PROJECTION
	$F_A=0$	4 PLACES ± --- ± ---	mm	DRAWN BY SKANG	DATE 2010/10/28	TITLE 2MM DUAL ROW VERTICAL RECEPTACLE, SMT
	$F_C=0$	3 PLACES ± --- ± 0.10	INCH	CHECKED BY ATSEE	DATE 2010/12/02	MATERIAL NO. SD-79109-006
	$F_P=1$	2 PLACES ± 0.25 ± 0.15 1 PLACE ± 0.38 ± ---	ANGULAR ± 3 °	APPROVED BY MLONG	DATE 2010/12/03	DOCUMENT NO. SD-79109-006
A4	REV	DRAFT WHERE APPLICABLE MUST REMAIN WITHIN DIMENSIONS	SIZE A3	THIS DRAWING CONTAINS INFORMATION THAT IS PROPRIETARY TO MOLEX INCORPORATED AND SHOULD NOT BE USED WITHOUT WRITTEN PERMISSION		

PARTS WITHOUT PEG

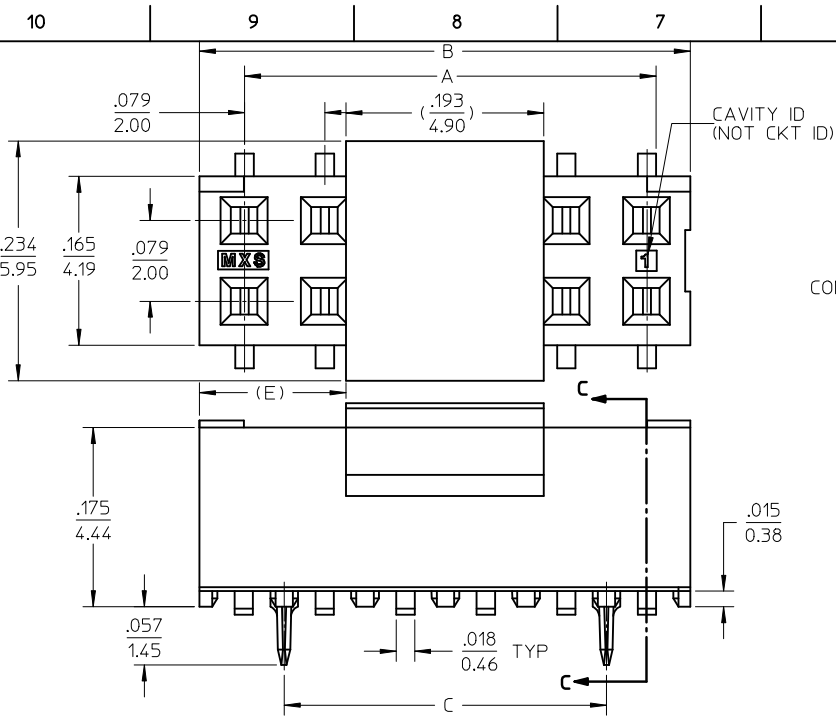
CKT. SIZE	DIM. "A"		DIM. "B"		DIM. "C"		DIM. "D"		DIM. "E"		DIM. "F"		ITEM NO.	PLATING OPTION SEE SHEET 1		
	INCH	MM	INCH	MM	INCH	MM	INCH	MM	INCH	MM	INCH	MM				
4	.079	(2.00)	.165	(4.19)	-	-	.183	(4.65)	-	-	.207	(5.25)	79109-9104	1		
														79109-9504	2	
8	.236	(6.00)	.322	(8.19)	-	-	.183	(4.65)	.065	(1.65)					79109-9208	2
10	.315	(8.00)	.401	(10.19)	-	-	.183	(4.65)	.104	(2.65)					79109-9210	2
12	.394	(10.00)	.480	(12.19)	-	-	.183	(4.65)	.144	(3.65)					79109-9212	2
14	.472	(12.00)	.559	(14.19)	-	-	.183	(4.65)	.183	(4.65)					79109-9214	2



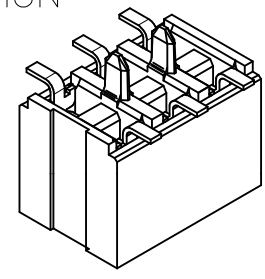
SECTION C-C



ADD 79109-9504 EC NO: S2017-0436 DRW: MEMARLY 2017/02/18 CHK: SCHEONG 2017/03/22 APPR: KHLIM 2017/03/24	QUALITY SYMBOLS	GENERAL TOLERANCES (UNLESS SPECIFIED)	DIMENSION STYLE	SCALE	DESIGN UNITS	THIRD ANGLE PROJECTION
	$F_A = 0$ $F_C = 0$ $F_P = 0$	mm INCH 4 PLACES ± --- ± --- 3 PLACES ± --- ± .010 2 PLACES ± 0.25 ± .015 1 PLACE ± 0.38 ± --- ANGULAR ± 3°	IN/MM	NTS	INCH	
	DESCRIPTION	DRAFT WHERE APPLICABLE MUST REMAIN WITHIN DIMENSIONS	DRAWN BY	DATE	TITLE	
	A4		SKANG	2010/10/28	2MM DUAL ROW VERTICAL RECEPTACLE, SMT	
			CHECKED BY	DATE	MOLEX INCORPORATED	
			ATSEE	2010/12/02	DOCUMENT NO.	
			APPROVED BY	DATE	SHEET NO.	
			MLONG	2010/12/03	SD-79109-006	
			MATERIAL NO.	THIS DRAWING CONTAINS INFORMATION THAT IS PROPRIETARY TO MOLEX INCORPORATED AND SHOULD NOT BE USED WITHOUT WRITTEN PERMISSION		
			SEE TABLE	2 OF 4		



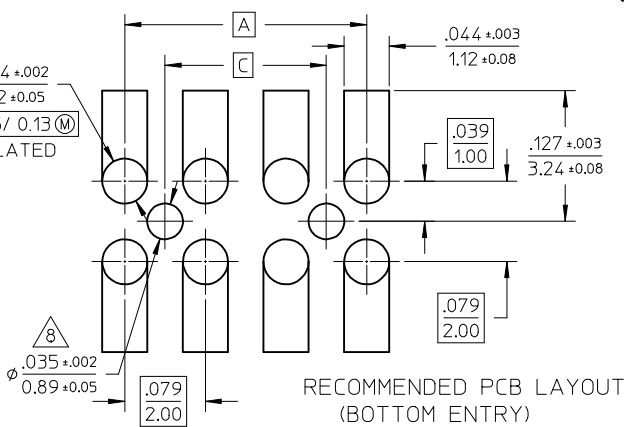
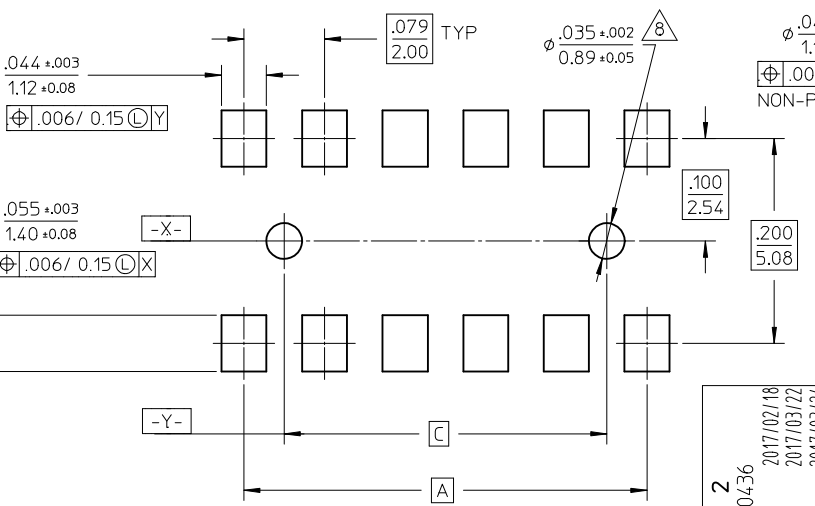
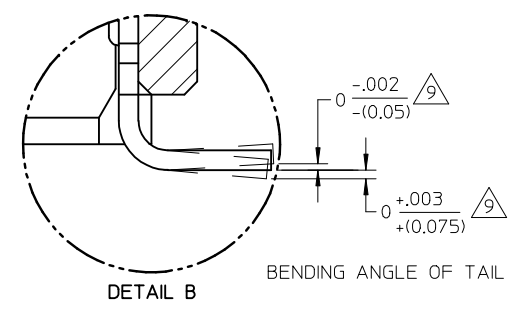
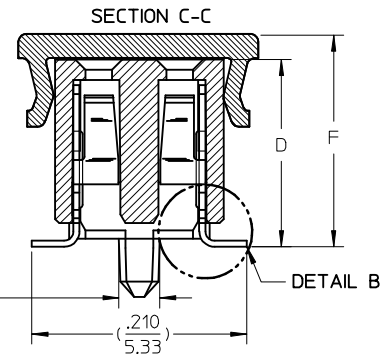
PEG OPTION



CONNECTOR WITH CAP

NOTES:

- 1 - HOUSING MATERIAL: GLASS FILLED HIGH TEMP. THERMOPLASTIC. COLOR: BLACK.
- 2 - TERMINAL MATERIAL: PHOSPHOR BRONZE
- 3 - SEE APPROPRIATE SHEET FOR CIRCUIT SIZE, PART NUMBERS AND OVER-ALL DIMENSIONS.
- 4 - FOR ILLUSTRATION, 6&12 CIRCUIT ASSEMBLY SHOWN.
- 5 - REFER TO PRODUCT SPECIFICATION PS-79107.
- 6 - TAPE PACKAGING PER PK-70873-0259.
- 7 - SEE PSX-79107 FOR SUGGESTED BOTTOM ENTRY PIN LENGTHS.
- 8 - .035 DIA. FOR PRESS FIT ONLY. USE .039±.002 FOR ALIGNMENT PURPOSES ON PICK AND PLACE.
- 9 - MEASUREMENT IS TAKEN BETWEEN THE TANGENT OF THE TOE TO TIP OF THE TERMINAL.



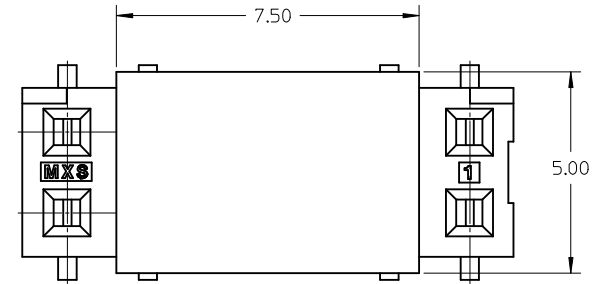
RECOMMENDED PCB LAYOUT

RECOMMENDED PCB LAYOUT (BOTTOM ENTRY)

<b>SEE SHEET 2</b> EC NO: S2017-0436 DRW: GEMARLY 2017/02/18 CHK: DSCHONG 2017/03/22 APPR: KHLIM 2017/03/24	QUALITY SYMBOLS $F_A=0$ $F_C=0$ $F_P=0$	GENERAL TOLERANCES (UNLESS SPECIFIED) <table border="1"> <tr> <td></td> <td>mm</td> <td>INCH</td> </tr> <tr> <td>4 PLACES</td> <td>± ---</td> <td>± ---</td> </tr> <tr> <td>3 PLACES</td> <td>± ---</td> <td>± .010</td> </tr> <tr> <td>2 PLACES</td> <td>± 0.25</td> <td>± .015</td> </tr> <tr> <td>1 PLACE</td> <td>± 0.38</td> <td>± ---</td> </tr> </table>		mm	INCH	4 PLACES	± ---	± ---	3 PLACES	± ---	± .010	2 PLACES	± 0.25	± .015	1 PLACE	± 0.38	± ---	DIMENSION STYLE <b>IN/MM</b>	SCALE <b>NTS</b>	DESIGN UNITS <b>INCH</b>	THIRD ANGLE PROJECTION
		mm	INCH																		
	4 PLACES	± ---	± ---																		
	3 PLACES	± ---	± .010																		
2 PLACES	± 0.25	± .015																			
1 PLACE	± 0.38	± ---																			
DRAWN BY: SKANG CHECKED BY: ATSEE APPROVED BY: MLONG	DATE: 2010/10/28 DATE: 2010/12/02 DATE: 2010/12/03	TITLE <b>2MM DUAL ROW VERTICAL RECEPTACLE, SMT</b>		<b>MOLEX INCORPORATED</b>																	
MATERIAL NO.	SEE TABLE	DOCUMENT NO.	<b>SD-79109-006</b>	SHEET NO.	<b>3 OF 4</b>																
DRAFT WHERE APPLICABLE MUST REMAIN WITHIN DIMENSIONS	SIZE <b>A3</b>	THIS DRAWING CONTAINS INFORMATION THAT IS PROPRIETARY TO MOLEX INCORPORATED AND SHOULD NOT BE USED WITHOUT WRITTEN PERMISSION																			

PARTS WITH PEG

CKT. SIZE	DIM. "A"		DIM. "B"		DIM. "C"		DIM. "D"		DIM. "E"		DIM. "F"		ASSEMBLY P/N WITH CAP	ASSEMBLY P/N WITH KAPTON TAPE	PLATING OPTION SEE SHEET 1
	INCH	MM	INCH	MM	INCH	MM	INCH	MM	INCH	MM	INCH	MM			
8	.236	(6.00)	.322	(8.19)	.157	(4.00)	.183	(4.65)	.065	(1.65)	.207	(5.25)	79109-9108	-	1
18	.630	(16.00)	.716	(18.19)	.551	(14.00)	.183	(4.65)	.262	(6.65)	.207	(5.25)	79109-9118	79109-9318	1



12CKT WITH KAPTON TAPE ILLUSTRATION

SEE SHEET 2 EC NO: S2017-0436 DRWN:GEMARLY 2017/02/18 CHKD:SCHEONG 2017/03/22 APPR:KHLIM 2017/03/24	QUALITY SYMBOLS	GENERAL TOLERANCES (UNLESS SPECIFIED)	DIMENSION STYLE IN/MM	SCALE NTS	DESIGN UNITS INCH	THIRD ANGLE PROJECTION	
	$F_A=0$ $F_C=0$ $F_P=0$	mm INCH 4 PLACES ± --- ± --- 3 PLACES ± --- ± .010 2 PLACES ± 0.25 ± .015 1 PLACE ± 0.38 ± --- ANGULAR ± 3 °	DRAWN BY SKANG DATE 2010/10/28 CHECKED BY ATSEE DATE 2010/12/02 APPROVED BY MLONG DATE 2010/12/03	TITLE	2MM DUAL ROW VERTICAL RECEPTACLE, SMT		
	DRAFT WHERE APPLICABLE MUST REMAIN WITHIN DIMENSIONS	SEE TABLE	MATERIAL NO.	MOLEX INCORPORATED		DOCUMENT NO.	SHEET NO.
			SIZE A3	THIS DRAWING CONTAINS INFORMATION THAT IS PROPRIETARY TO MOLEX INCORPORATED AND SHOULD NOT BE USED WITHOUT WRITTEN PERMISSION			SD-79109-006