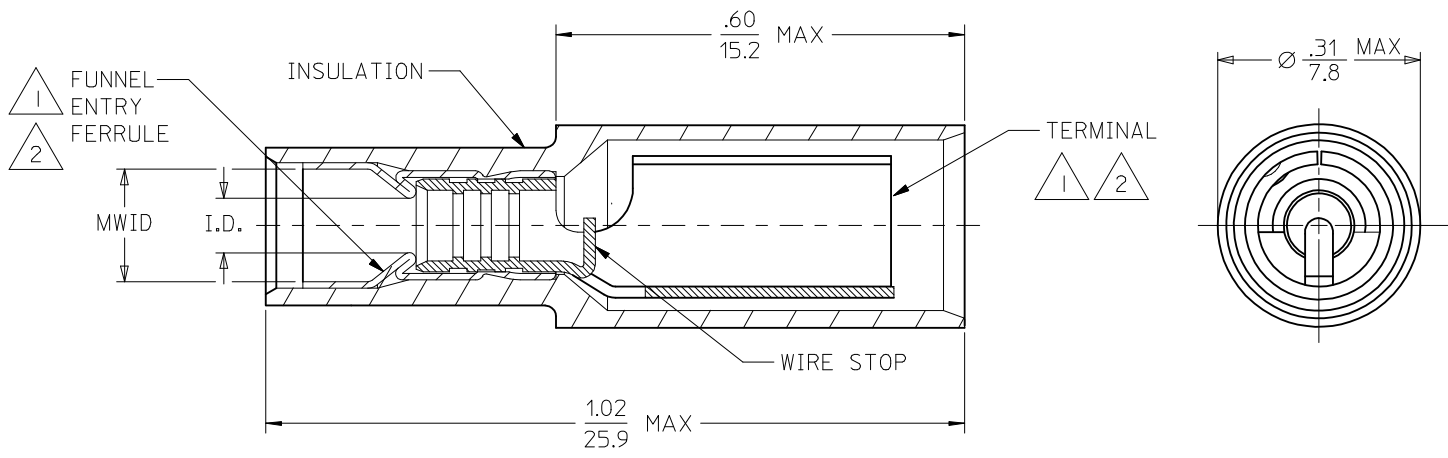
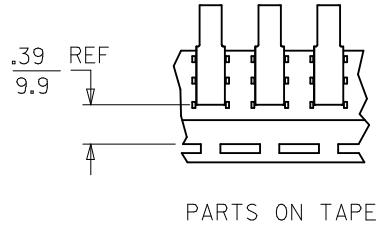


MATERIAL NUMBER	ENGINEERING NUMBER	TAPE MATERIAL NUMBER	TAPE ENGINEERING NUMBER	WIRE RANGE AWG	MM ²	INSULATION HOUSING MATERIAL	INSULATION COLOR	FITS MALE PLUG DIA.	I.D. (B2) MIN.	MWID
190390001	BRA-8156	190390026	BRA-8156T	22-18	0.25-1.3	PVC	RED	.156/(3.96)	.062/(1.57)	.125/(3.18)
190390002	BRA-8156N	190390015	BRA-8156NT	22-18	0.25-1.3	NYLON	LIGHT RED	.156/(3.96)	.062/(1.57)	.125/(3.18)
190390003	BRA-8156NDK			22-18	0.25-1.3	NYLON	DARK RED	.156/(3.96)	.062/(1.57)	.125/(3.18)
190390004	BRA-8180	190390029	BRA-8180T	22-18	0.25-1.3	PVC	RED	.180/(4.57)	.062/(1.57)	.125/(3.18)
190390005	BRA-8180N	190390017	BRA-8180NT	22-18	0.25-1.3	NYLON	RED	.180/(4.57)	.062/(1.57)	.125/(3.18)
190390006	BRB-8156	190390023	BRB-8156T	16-14	1.0-2.6	PVC	BLUE	.156/(3.96)	.085/(2.16)	.145/(3.68)
190390007	BRB-8156N	190390016	BRB-8156NT	16-14	1.0-2.6	NYLON	LIGHT BLUE	.156/(3.96)	.085/(2.16)	.145/(3.68)
190390008	BRB-8156NDK			16-14	1.0-2.6	NYLON	DARK BLUE	.156/(3.96)	.085/(2.16)	.145/(3.68)
190390009	BRB-8180	190390030	BRB-8180T	16-14	1.0-2.6	PVC	BLUE	.180/(4.57)	.085/(2.16)	.145/(3.68)
190390010	BRB-8180N	190390018	BRB-8180NT	16-14	1.0-2.6	NYLON	BLUE	.180/(4.57)	.085/(2.16)	.145/(3.68)



- NOTES:
- 1. MATERIAL: BRASS
 - 2. FINISH: ELECTRO-TIN PLATING
 - 3. INSULATION MATERIAL: SEE CHART
 - 4. MWID - MAXIMUM WIRE INSULATION DIAMETER
 - 5. PARTS ARE ROHS COMPLIANT.

SALES DRAWING

BRA ID TOLERANCE EC NO: WNA2012-0253 /DRW:ETHRODAHL 2011/11/16 /CHKD:JMACNEIL 2011/11/16 /APPR:JMACNEIL 2014/02/07	QUALITY SYMBOLS	GENERAL TOLERANCES (UNLESS SPECIFIED)	DIMENSION STYLE	SCALE	DESIGN UNITS	THIRD ANGLE PROJECTION
	▽=0 ∇=0	mm	IN/MM	DRAWN BY DATE BRE 2002/07/15	INCH	TITLE AVIKRIMP FEMALE BULLET RECEPTACLE
		INCH	IN/MM			
	B2	4 PLACES ± --- ± --- 3 PLACES ± --- ± .005 2 PLACES ± 0.13 ± .01 1 PLACE ± 0.25 ± ---	ANGULAR ± ---°	APPROVED BY DATE JMACNEIL 2010/11/11	MATERIAL NO.	DOCUMENT NO. SD-19039-001
DRAFT WHERE APPLICABLE MUST REMAIN WITHIN DIMENSIONS		THIS DRAWING CONTAINS INFORMATION THAT IS PROPRIETARY TO MOLEX INCORPORATED AND SHOULD NOT BE USED WITHOUT WRITTEN PERMISSION				