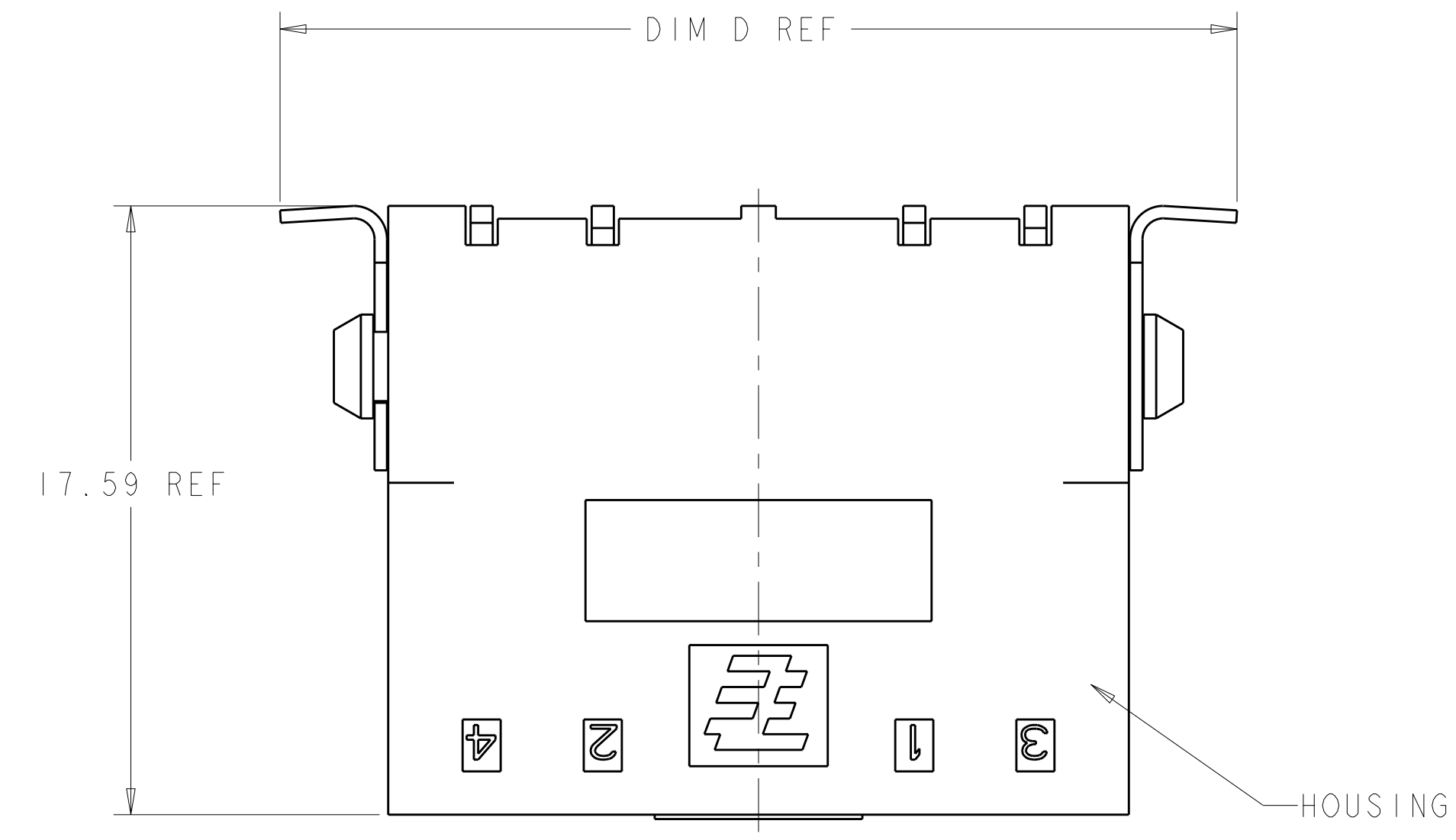
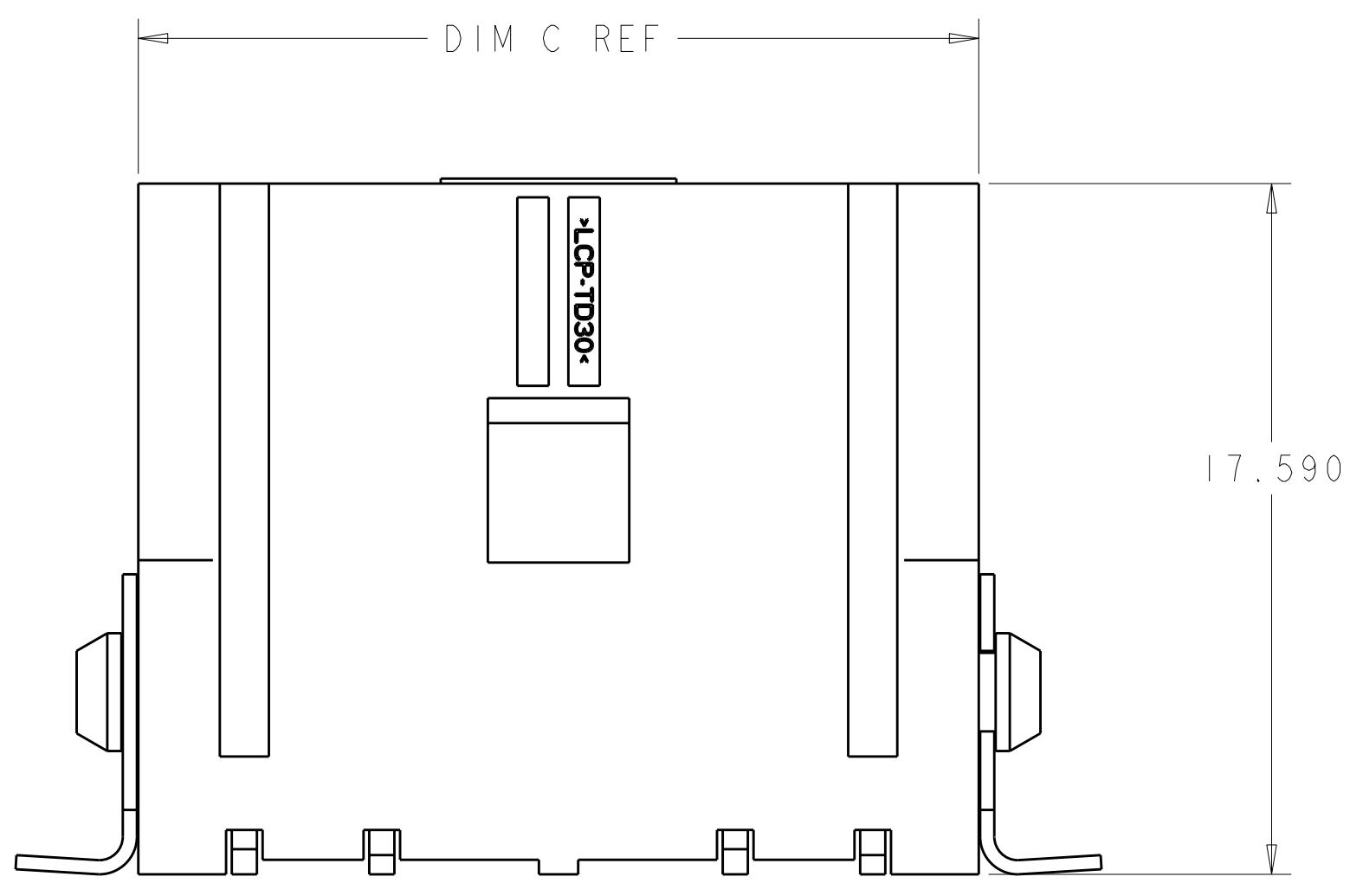
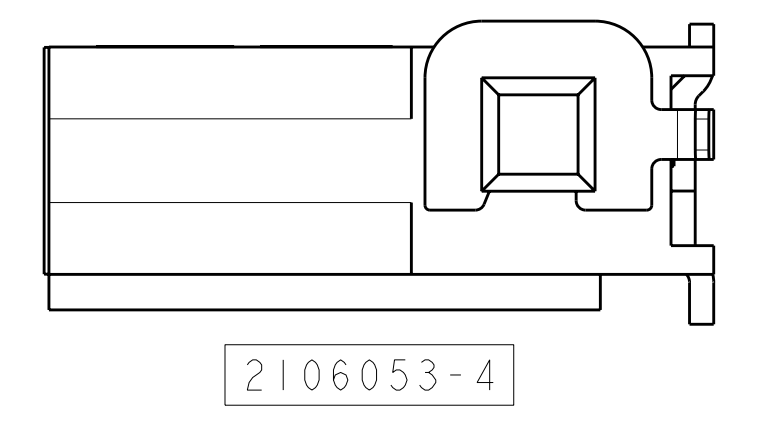
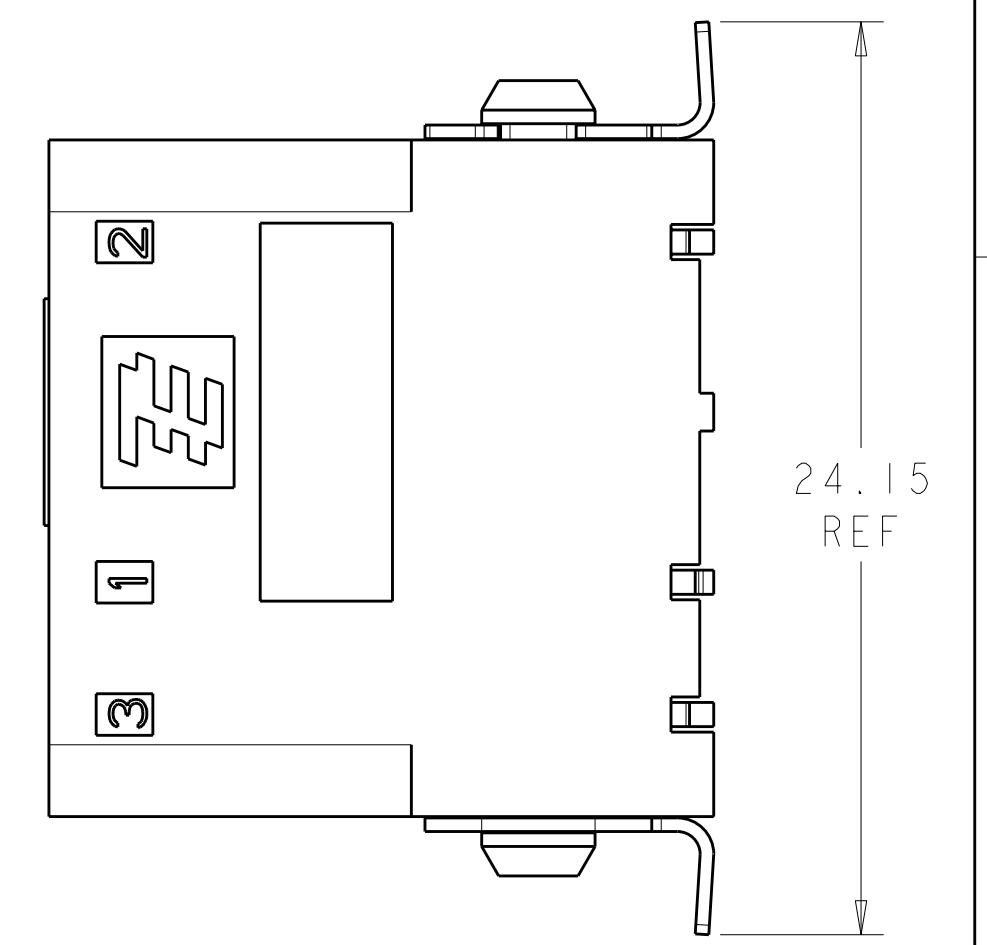
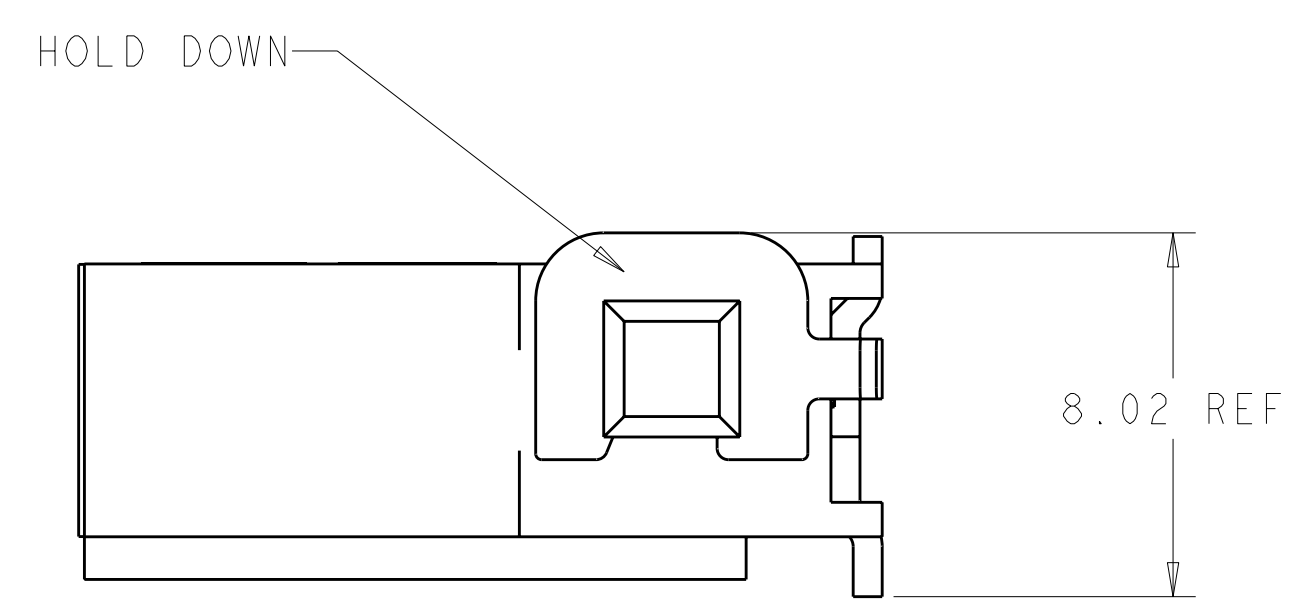
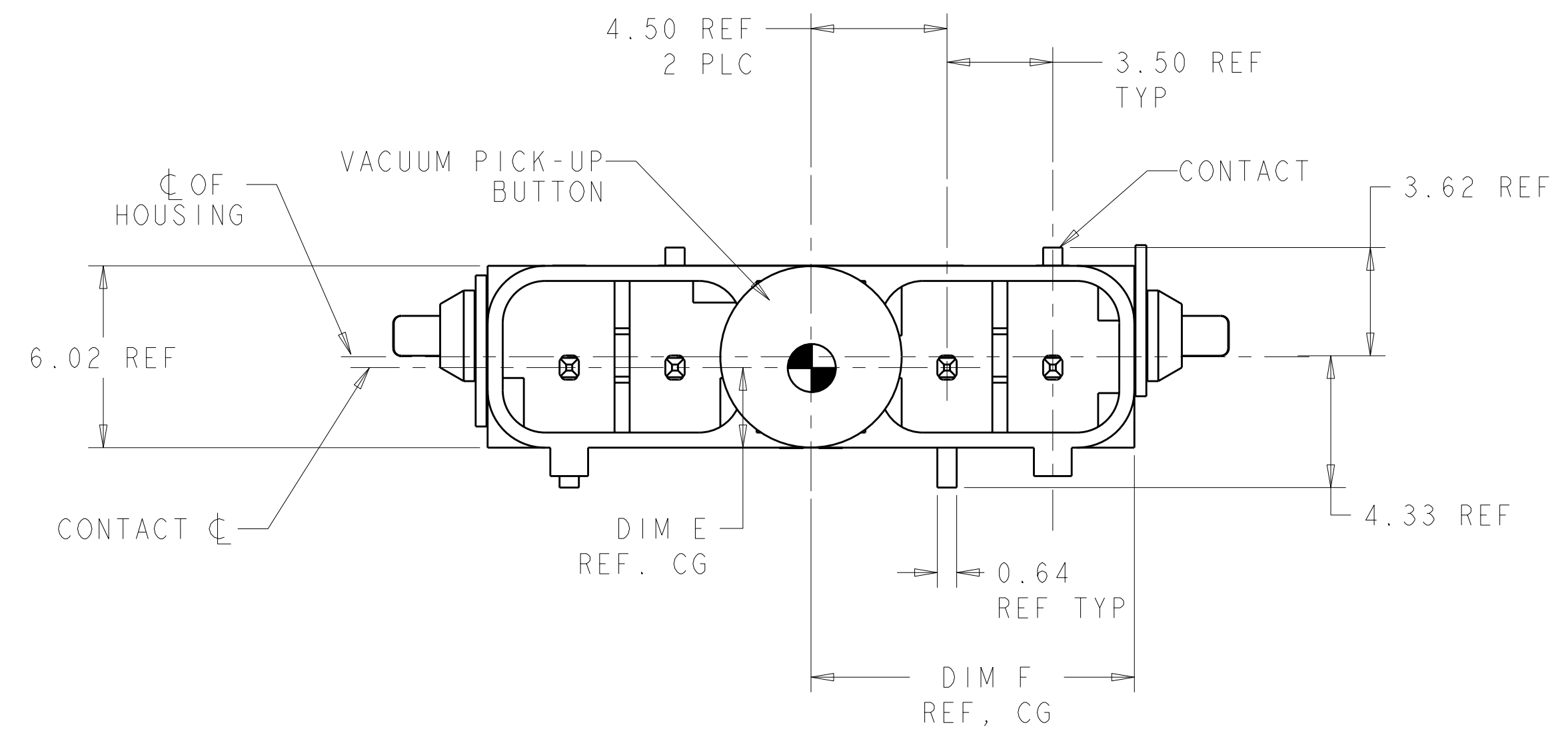
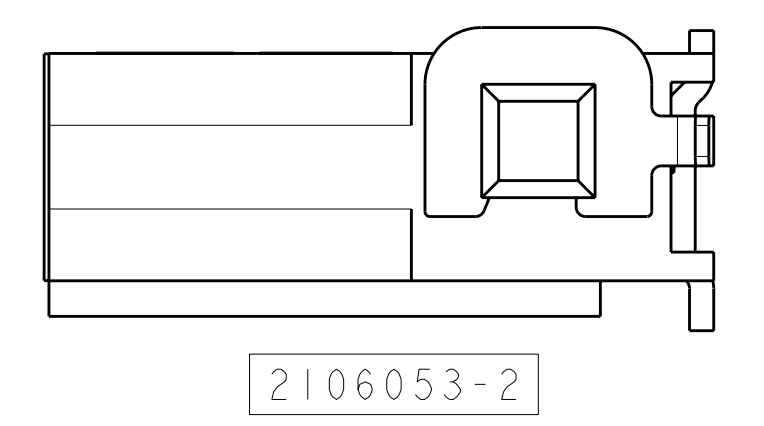
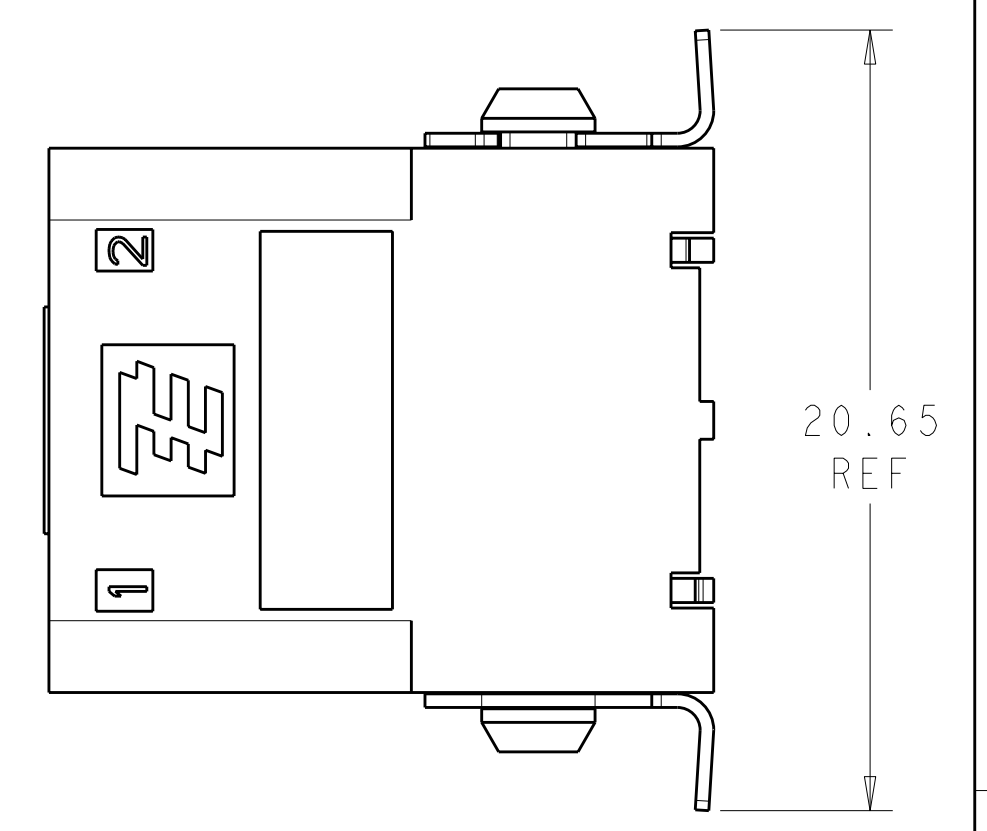


LOC	DIST	REVISIONS			
CM	00	REV	DATE	DWN	APVD
		A1	REVISD PER ECO-11-004820	28MAR2011	RK HMR
		A2	REVISD PER ECO-12-003780	25FEB2012	HVG DD



- 1 MATERIAL: HOUSING: LCP, COLOR: BLACK.
- 2 CONTACTS: BRASS.  
FINISH: 2.54µm MIN MATTE TIN OVER NICKEL (ENTIRE POST).  
HOLDDOWN: COPPER ALLOY.  
FINISH: 2.54µm MIN MATTE TIN OVER NICKEL.
- 3 VACUUM PICK-UP BUTTON: POLYIMIDE.
- 4 THIS PRODUCT HAS NOT COMPLETED VALIDATION TESTING.
- 5 RECOMMENDED PC BOARD THICKNESS OF 1.57.
- 6 TAPE AND REEL PACKAGING PER EIA-481 SPEC.
- 7 MUST COMPLY WITH DIRECTIVE 2002/95/EC (ROHS).



10.69	2.94	27.65	21.40	12.46	12.46	4	2106053-6
8.95	2.95	24.15	17.90	8.96	12.46	3	2106053-4
7.19	2.93	20.65	14.40	8.96	8.96	2	2106053-2
DIM F	DIM E	DIM D	DIM C	DIM B	DIM A	POSN	PART NUMBER

THIS DRAWING IS A CONTROLLED DOCUMENT.

DWN: WM VAN SCOOC 23JAN2009  
 CHK: A. BUCHER 23JAN2009  
 APVD: A. BUCHER 23JAN2009

DIMENSIONS: mm  
 TOLERANCES UNLESS OTHERWISE SPECIFIED:  
 0 PLC ±  
 1 PLC ±0.2  
 2 PLC ±0.15  
 3 PLC ±  
 4 PLC ±  
 ANGLES ±°0'

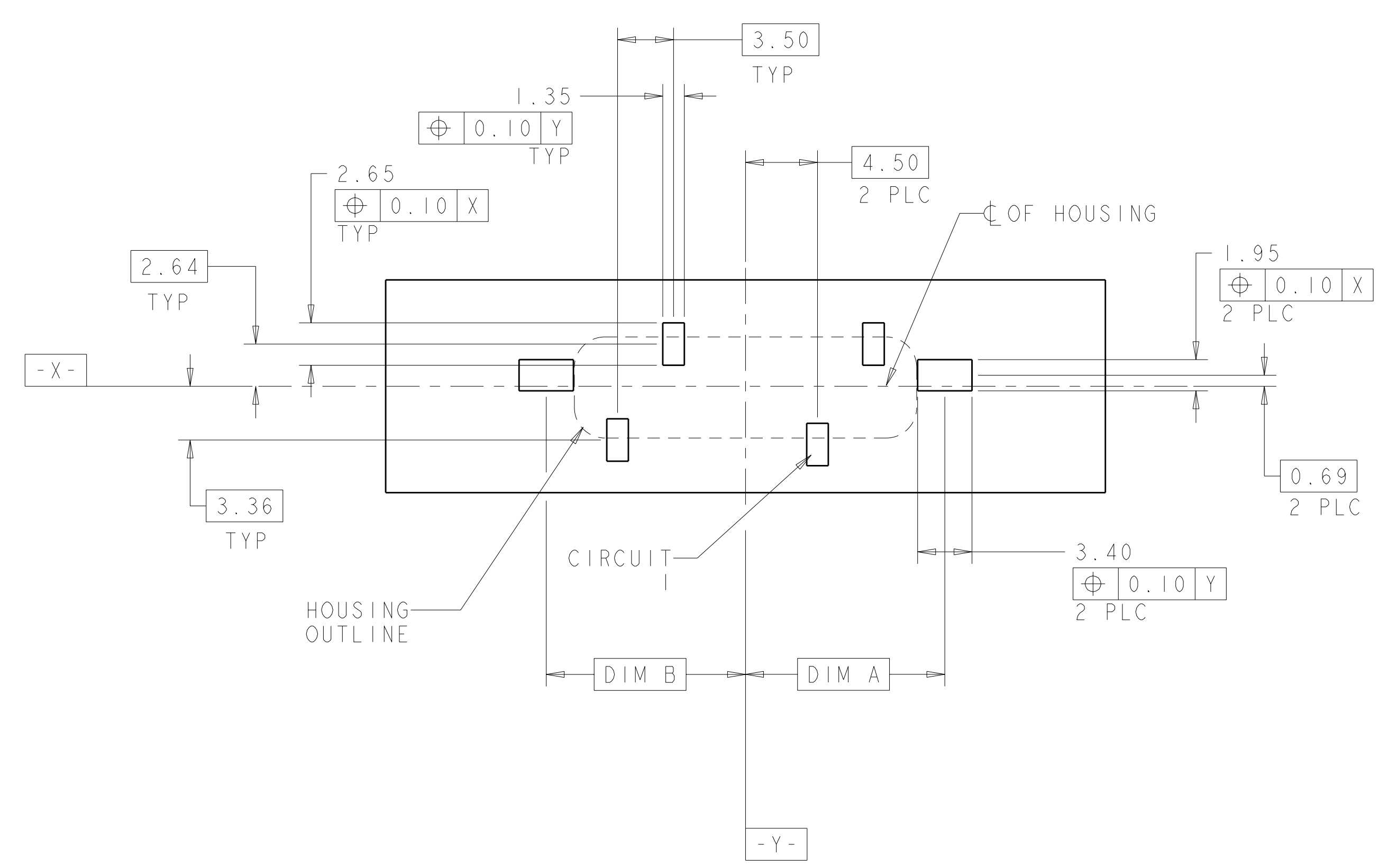
MATERIAL: LCP-1030  
 FINISH:

DIMENSIONS: 108-2391  
 APPLICATION SPEC: 114-13261  
 WEIGHT:

CUSTOMER DRAWING  
 SCALE: 4:1  
 SHEET: 1 OF 2  
 REV: A2

**STE** TE Connectivity  
 ASSEMBLY, VERTICAL SMT HEADER, SLIMSEAL SSL CONNECTOR  
 SIZE: CAGE CODE DRAWING NO: A100779C=2106053  
 RESTRICTED TO:

LOC	DIST	REV	DATE	BY	APPD
CM	00				



RECOMMENDED PC BOARD PAD LAYOUT, COMPONENT SIDE  
 DIMENSIONS APPLY TO ALL POSITIONS UNLESS OTHERWISE NOTED

THIS DRAWING IS A CONTROLLED DOCUMENT.		DWN: MM. VAN SCOIC 23JAN2009 CHK: A. BUCHER 23JAN2009 APVD: A. BUCHER 23JAN2009	NAME: ASSEMBLY, VERTICAL SMT HEADER, SLIMSEAL SSL CONNECTOR PRODUCT SPEC: 108-2391 APPLICATION SPEC: 114-13261	SIZE: A CAGE CODE: C=2106053 DRAWING NO: A100779	RESTRICTED TO: - SCALE: 4:1 SHEET: 2 OF 2 REV: A2
DIMENSIONS: mm TOLERANCES UNLESS OTHERWISE SPECIFIED: 9 PLC ± 1 PLC ±0.2 2 PLC ±0.15 3 PLC ± 4 PLC ± ANGLES ±0°	FINISH:	MATERIAL:	WEIGHT: - CUSTOMER DRAWING	TE Connectivity	CUSTOMER DRAWING