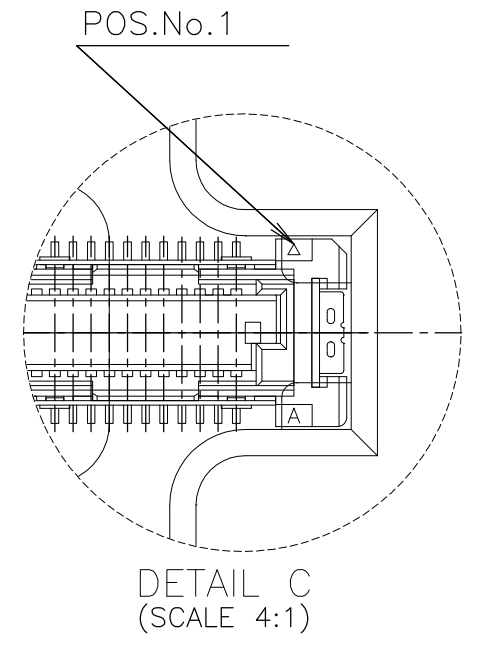
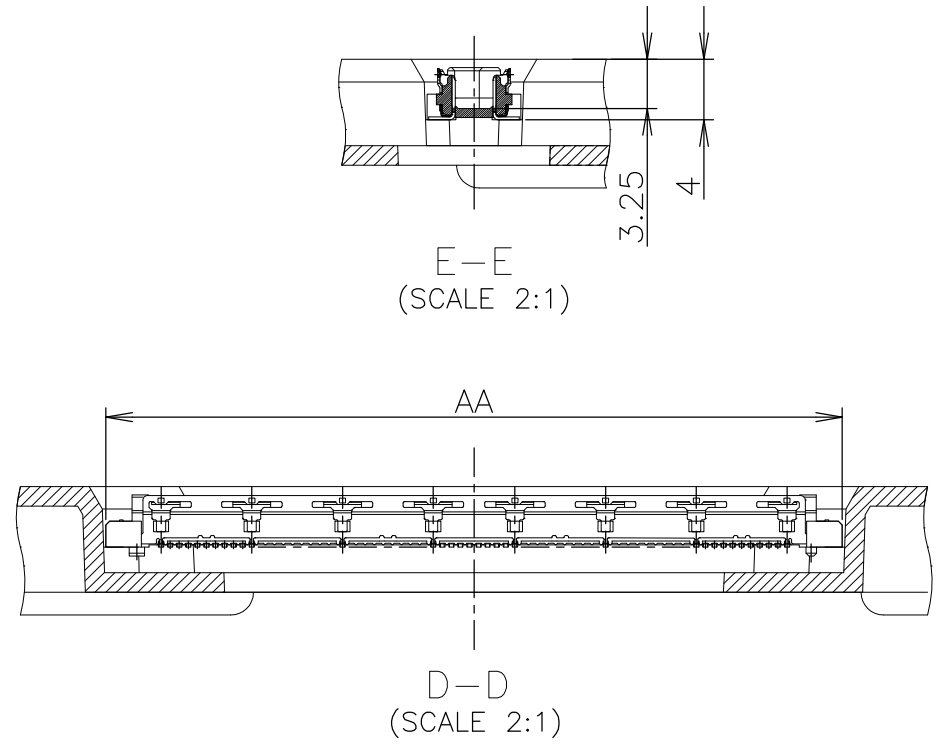
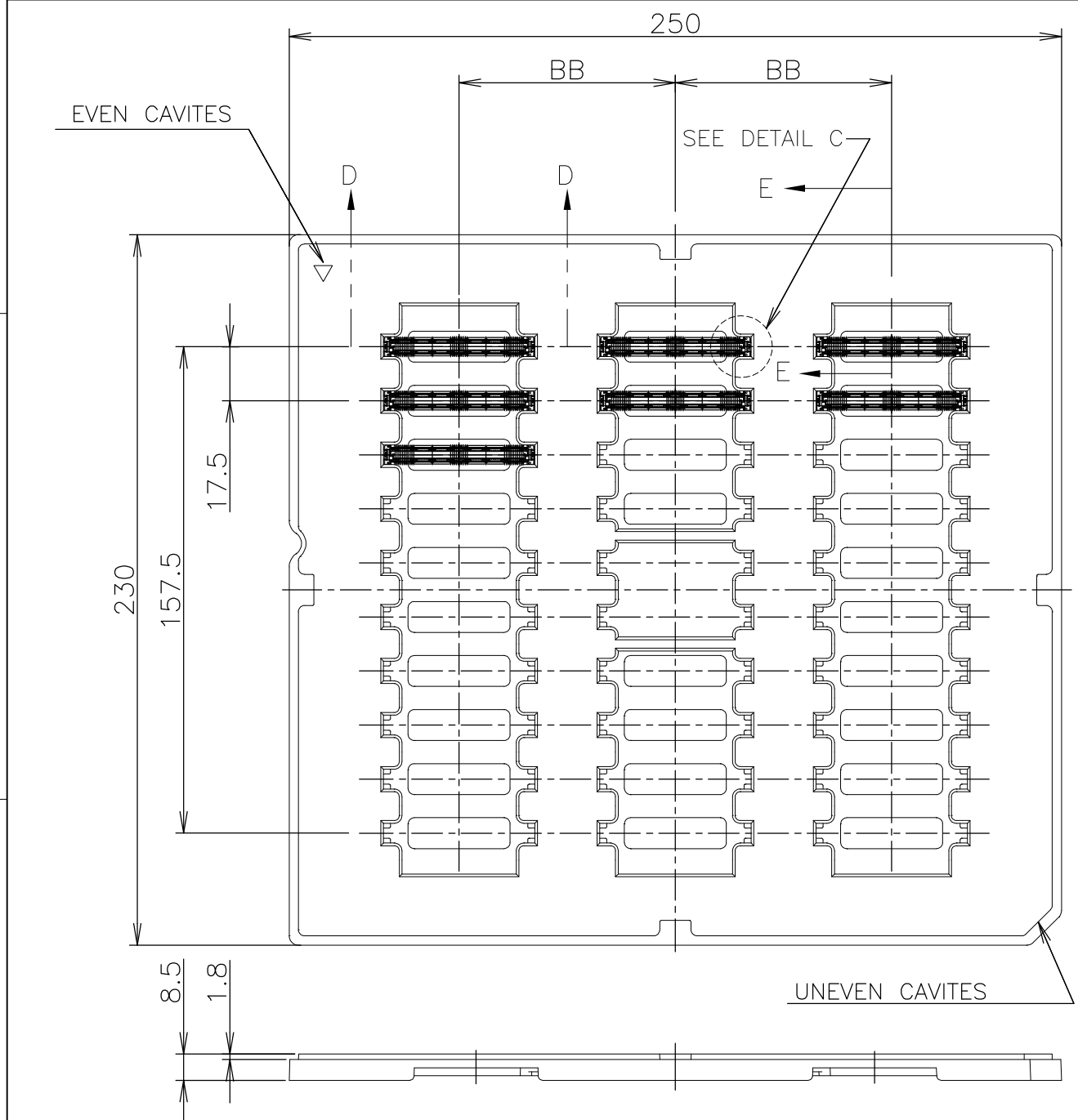


THIS DRAWING IS UNPUBLISHED. RELEASED FOR PUBLICATION OCT, 1995.
 © COPYRIGHT 1995 BY TYCO ELECTRONICS CORPORATION. ALL RIGHTS RESERVED.

LOC	DIST	REVISIONS			DATE	DWN	APVD
J		P	LTR	DESCRIPTION			
		A	REVISED	ECR-08-000339	01FEB08	T.T	T.F



GENERAL TOLERANCE
一般公差

10 ≥	±0.2
30 ≥	>10: ±0.25
100 ≥	>30: ±0.3
ANGLES: ±3°	

THIS DRAWING IS A CONTROLLED DOCUMENT.

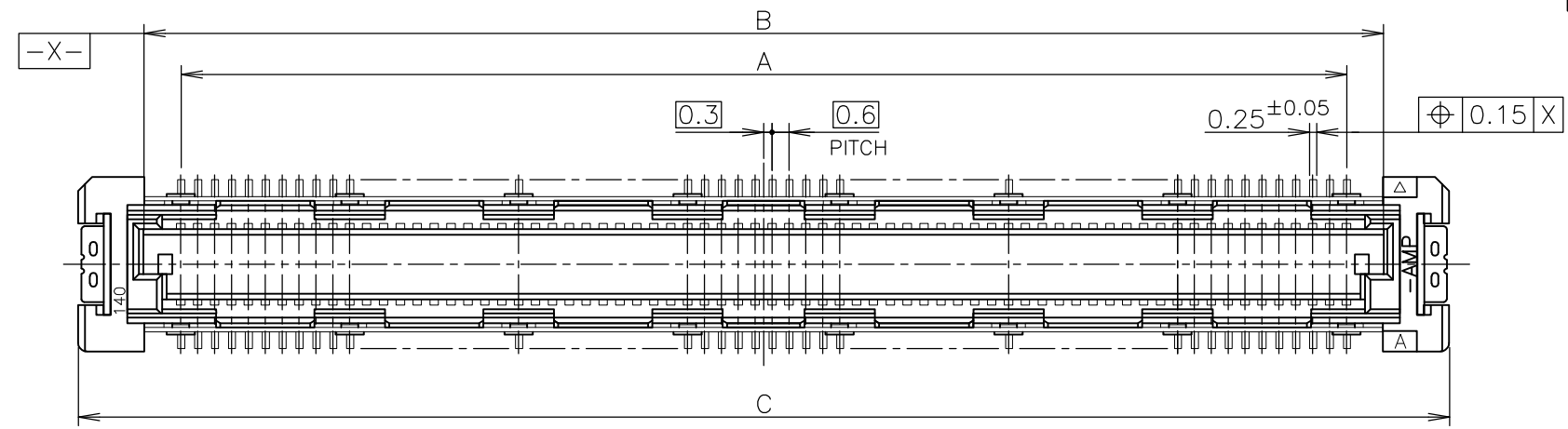
DIMENSIONS: 単位: 耗 mm	TOLERANCES UNLESS OTHERWISE SPECIFIED: 一般公差
	0 PLC ± -
	1 PLC ± -
	2 PLC ± -
	3 PLC ± -
	4 PLC ± -
	ANGLES ± -
MATERIAL 材料	FINISH 仕上

SEALANT	AVAILABLE	3	30	70	54.7	160	1-5316559-1
	AVAILABLE	↑	↑	↑	48.7	140	1- -0
	NOT AVAILABLE				42.7	120	-9
		↓	↓	↓	36.7	100	-8
		3	30	70	33.7	90	-7
		5	50	43	30.7	80	-6
		↑	↑	↑	27.7	70	-5
					24.7	60	-4
					21.7	50	-3
		↓	↓	↓	18.7	40	-2
	NOT AVAILABLE	5	50	43	15.7	30	5316559-1
SEALANT	TOOLING STATUS	ROW	QTY	BB	AA	POS.	PART NO.

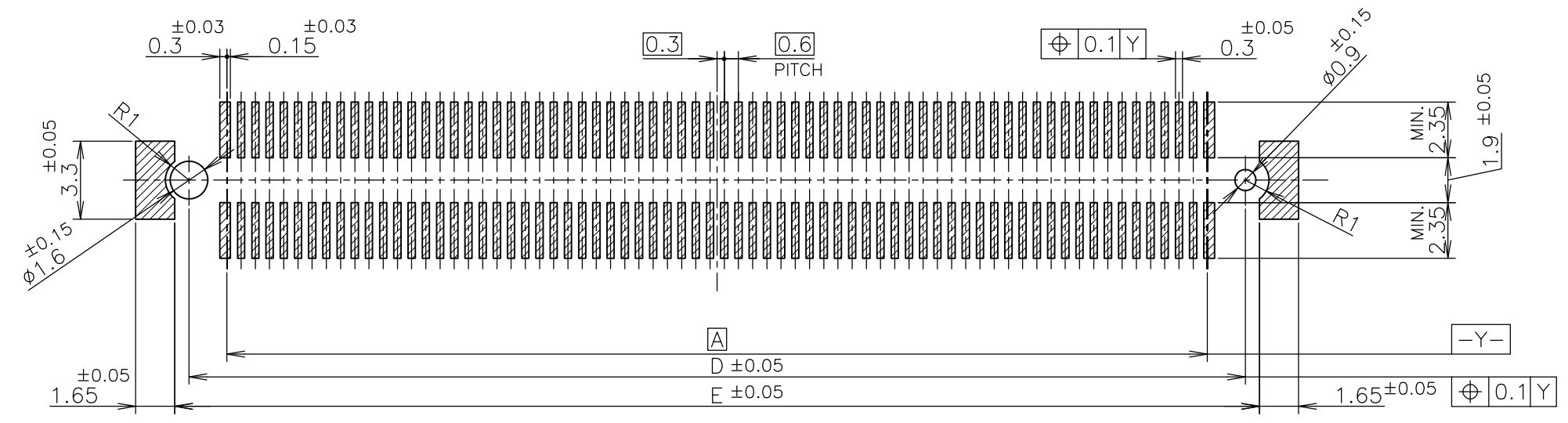
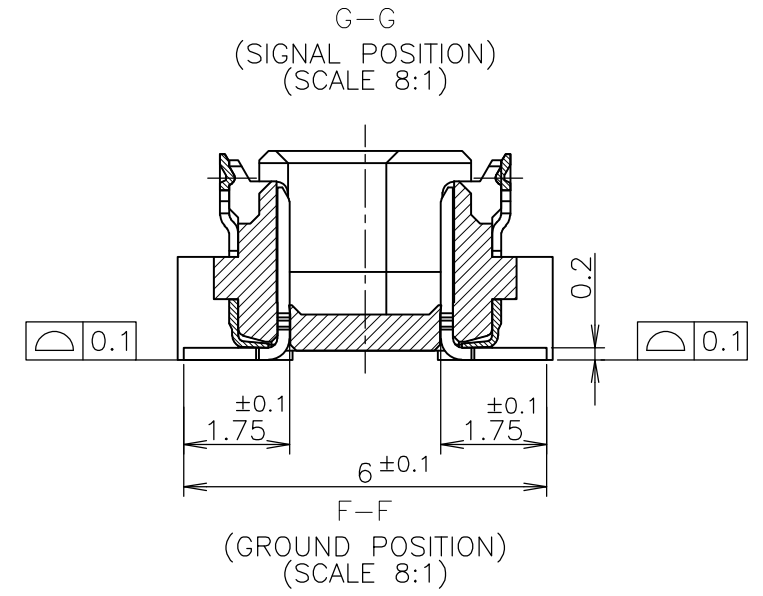
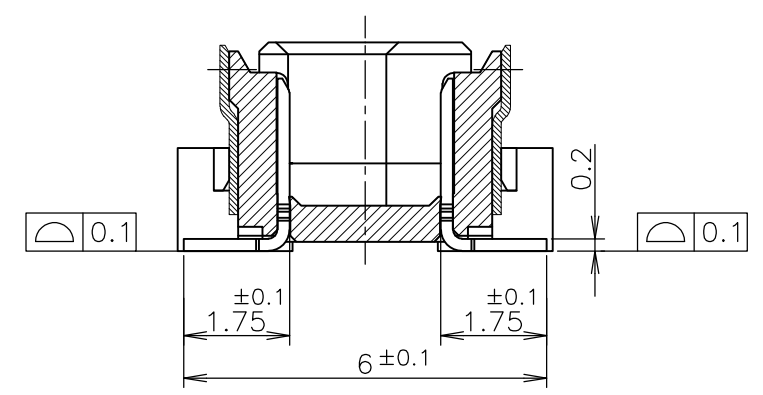
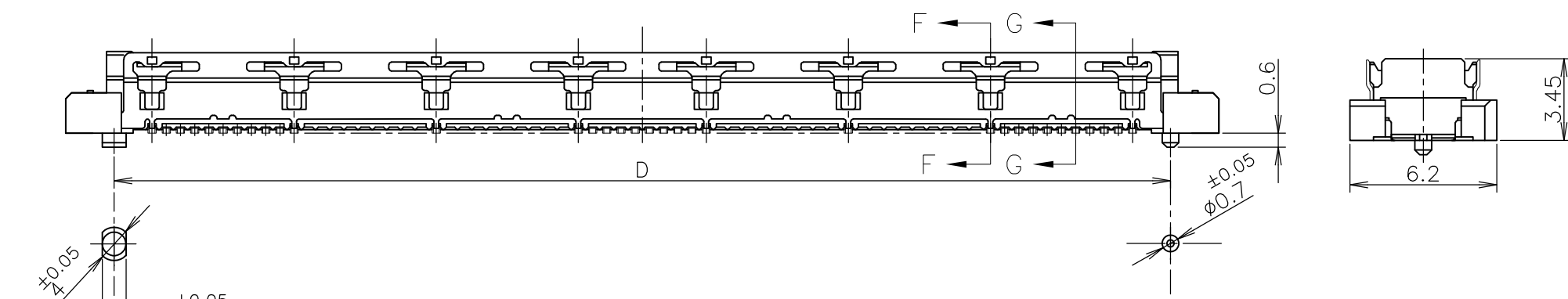
DWN	LEO ZHOU	17NOV04	Tyco Electronics Corporation Kawasaki, Japan				
CHK	STEVEN YAO	17NOV04	NAME				
APVD	I.ENOMOTO	17NOV04	HARD TRAY ASSY				
PRODUCT SPEC	製品規格	108-60047	FH 0.6BTB CONNECTOR				
APPLICATION SPEC	取付適用規格	114-5255	PLUG 4H W/G-PLATE				
WEIGHT			SIZE	CAGE CODE	DRAWING NO	RESTRICTED TO	
			A3	00779	G-5316559		
CUSTOMER DRAWING			SCALE	SHEET	REV		
			尺度 1:2	1 OF 3	A		

THIS DRAWING IS UNPUBLISHED. RELEASED FOR PUBLICATION OCT, 1995.
 © COPYRIGHT 1995 BY TYCO ELECTRONICS CORPORATION. ALL RIGHTS RESERVED.

LOC	DIST	REVISIONS		
J		P	LTR	DESCRIPTION
				DATE
				DWN
				APVD
				SEE SHEET 1



- △ MATERIAL ; HOUSING : HIGH TEMP THERMO PLASTIC UL94V-0
- CONTACT : COPPER ALLOY
- △ FINISH ; UNDER PL Ni 0.0013mm MIN ALL OVER.
- CONTACT AREA 0.0002 MIN Au PL.
- SOLDERING AREA 0.001 MIN TIN PL.
- △ THIS POSITION IS GROUND CIRCUIT.



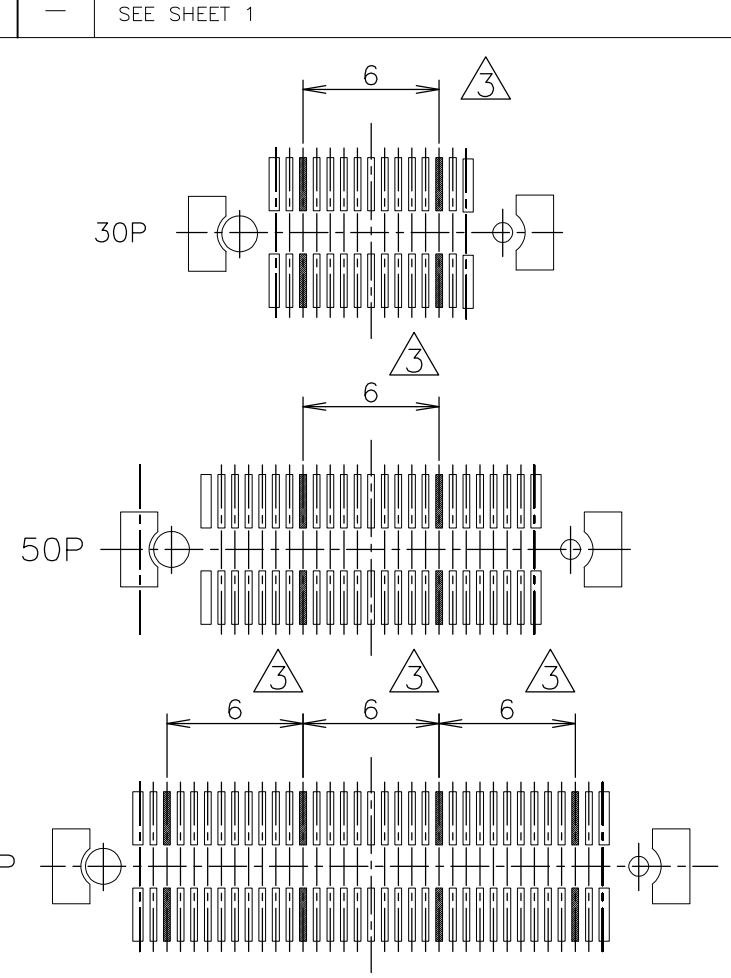
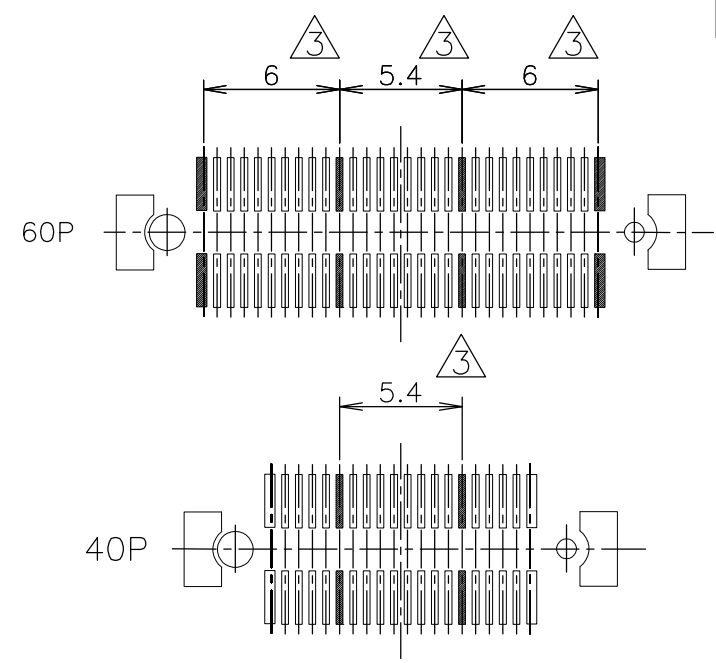
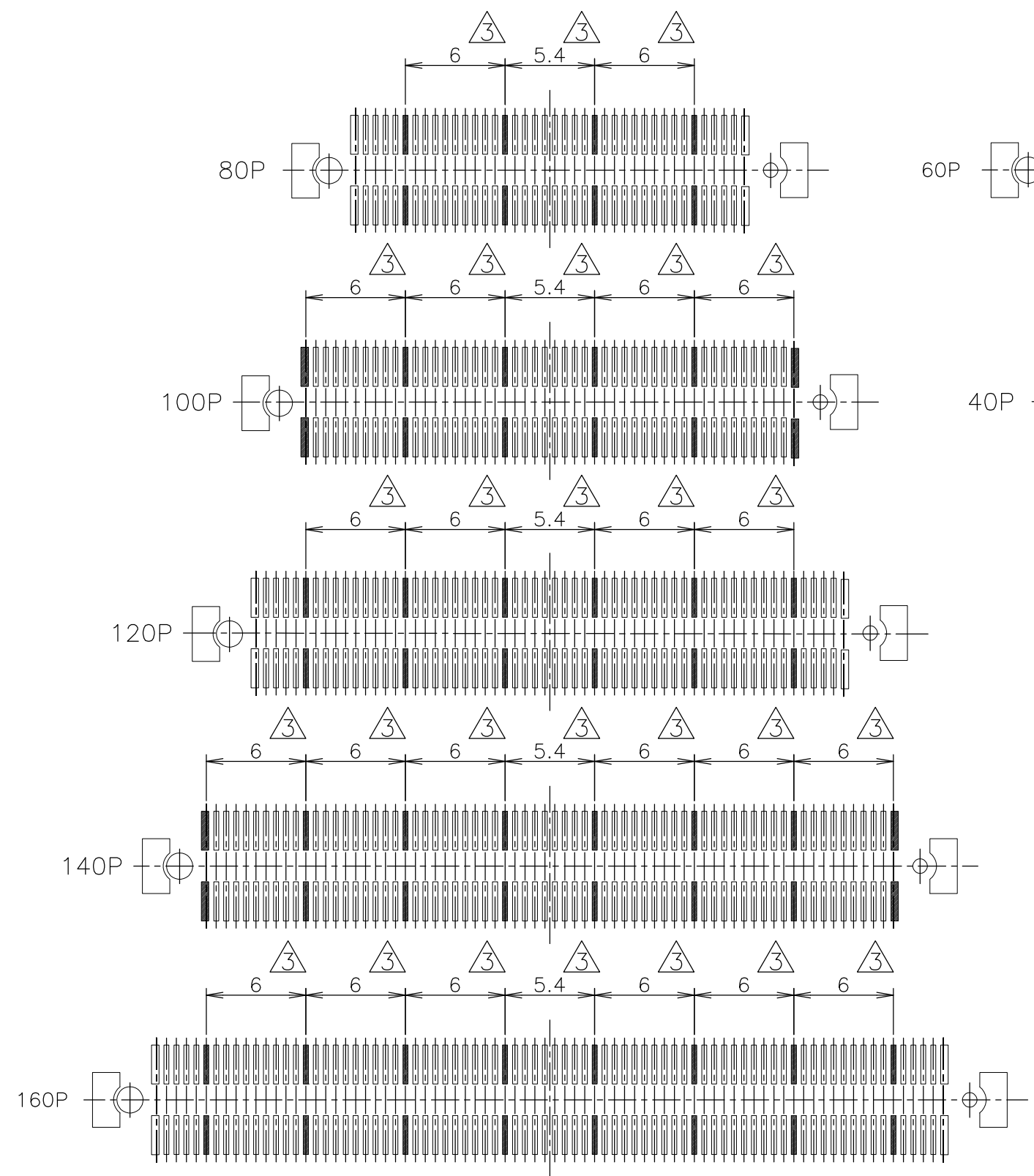
REFERENCE P.C.BOARD LAYOUT

AVAILABLE	51.8	50.6	54.7	50	47.4	160	1-5316559-1
AVAILABLE	45.8	44.6	48.7	44	41.4	140	1-5316559-0
NOT AVAILABLE	39.8	38.6	42.7	38	35.4	120	-9
AVAILABLE	33.8	32.6	36.7	32	29.4	100	-8
NOT AVAILABLE	30.8	29.6	33.7	29	26.4	90	-7
NOT AVAILABLE	27.8	26.6	30.7	26	23.4	80	-6
AVAILABLE	24.8	23.6	27.7	23	20.4	70	-5
AVAILABLE	21.8	20.6	24.7	20	17.4	60	-4
AVAILABLE	18.8	17.6	21.7	17	14.4	50	-3
NOT AVAILABLE	15.8	14.6	18.7	14	11.4	40	-2
NOT AVAILABLE	12.8	11.6	15.7	11	8.4	30	5316559-1
TOOLING STATUS	E	D	C	B	A	POS	PART NO.

THIS DRAWING IS A CONTROLLED DOCUMENT.		DWN	Tyco Electronics Corporation	
DIMENSIONS: 单位: 耗 mm		CHK	Kawasaki, Japan	
TOLERANCES UNLESS OTHERWISE SPECIFIED: 一般公差		APVD	NAME 名称	
0 PLC ± 0.3		PRODUCT SPEC 製品規格	HARD TRAY ASSY	
1 PLC ± 0.3		APPLICATION SPEC 取付適用規格	FH 0.6BTB CONNECTOR	
2 PLC ± 0.3		WEIGHT	SIZE	CAGE CODE
3 PLC ± 0.3		CUSTOMER DRAWING	A3	00779
4 PLC ± 0.3			DRAWING NO 番号	G-5316559
ANGLES ± 3'		RESTRICTED TO	SCALE 尺度	SHEET
FINISH 仕上			4:1	2 OF 3
MATERIAL 材料				REV A

THIS DRAWING IS UNPUBLISHED. RELEASED FOR PUBLICATION OCT., 1995.
 © COPYRIGHT 1995 BY TYCO ELECTRONICS CORPORATION. ALL RIGHTS RESERVED.

LOC		DIST		REVISIONS			DATE	DWN	APVD
J				P	LTR	DESCRIPTION			
				SEE SHEET 1			-	-	-



THIS DRAWING IS A CONTROLLED DOCUMENT.		DWN		Tyco Electronics		Tyco Electronics Corporation	
DIMENSIONS: 単位: 耗 mm		TOLERANCES UNLESS OTHERWISE SPECIFIED: 一般公差		CHK		Kawasaki, Japan	
MATERIAL 材料		FINISH 仕上		APVD		NAME 名称	
0 PLC ± 0.3		1 PLC ± 0.3		PRODUCT SPEC 製品規格		HARD TRAY ASSY	
2 PLC ± 0.3		3 PLC ± 0.3		APPLICATION SPEC 取付適用規格		FH 0.6BTB CONNECTOR	
4 PLC ± 0.3		ANGLES ± 3'		WEIGHT		PLUG 4H W/G-PLATE	
				SIZE		RESTRICTED TO	
				A3			
				CAGE CODE		DRAWING NO	
				00779		番号	
				G-		5316559	
				CUSTOMER DRAWING		SCALE	
						3:1	
				SHEET		REV	
				3 OF 3		A	