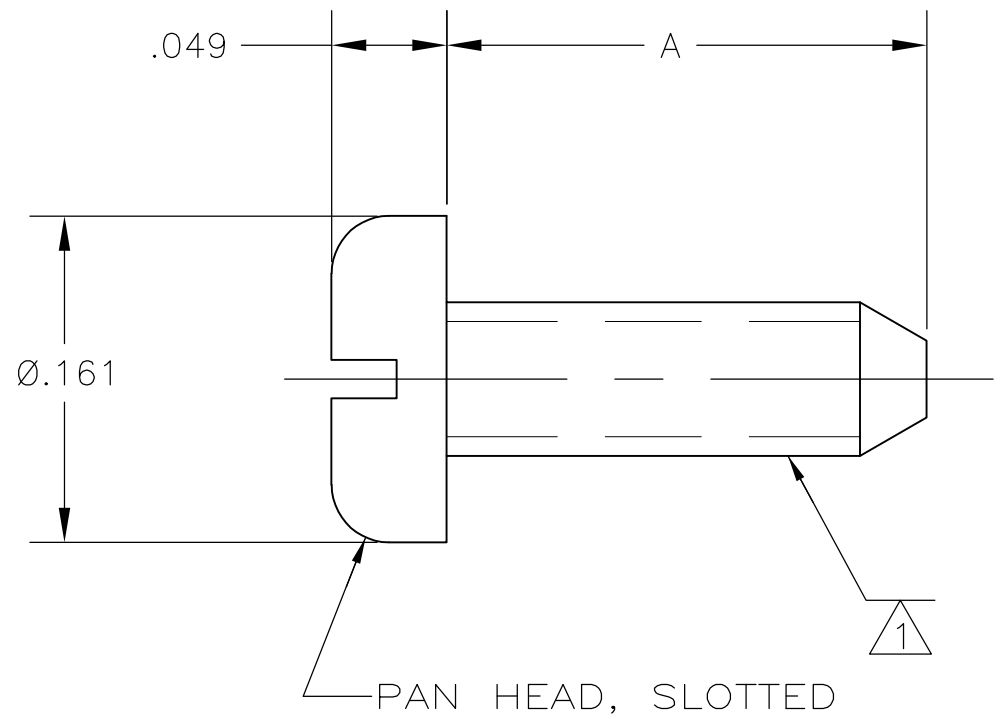



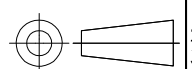
THIS DRAWING IS UNPUBLISHED.      RELEASED FOR PUBLICATION      - . - .  
 © COPYRIGHT - By -      ALL RIGHTS RESERVED.

LOC	DIST	REVISIONS					
		P	LTR	DESCRIPTION	DATE	DWN	APVD
AJ	16		P	REVISED PER ECO-11-005030	11MAR11	RK	HMR



- 1 #2-56 SPECIAL THREAD-ROLLING SCREW THREAD
- 2 CARBON STEEL PER AISI 1019-1022
- 3 ZINC PLATE

.250 MAX	9-221108-1
.312 MAX	9-221108-0
.250 MAX	221108-4
.312 MAX	221108-2
A DIM	PART NO

THIS DRAWING IS A CONTROLLED DOCUMENT.		DWN M SYKES 02JUN2006	 TE Connectivity			
DIMENSIONS: INCHES		CHK DK SCHRUM 02JUN2006				
		APVD JT LIPPERT 02JUN2006	NAME			
TOLERANCES UNLESS OTHERWISE SPECIFIED: 0 PLC ± - 1 PLC ± - 2 PLC ± - 3 PLC ± .008 4 PLC ± - ANGLES ± -		PRODUCT SPEC	SCREW, SELF TAPPING			
MATERIAL		APPLICATION SPEC	SIZE	CAGE CODE	DRAWING NO	RESTRICTED TO
2		FINISH	A300779		C-221108	-
3		CUSTOMER DRAWING		SCALE	SHEET	REV
				NTS	1 OF 1	P