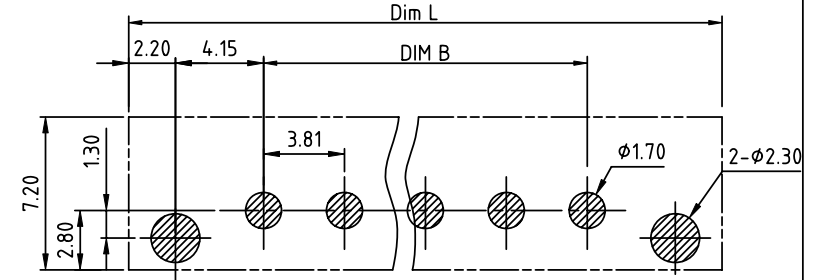
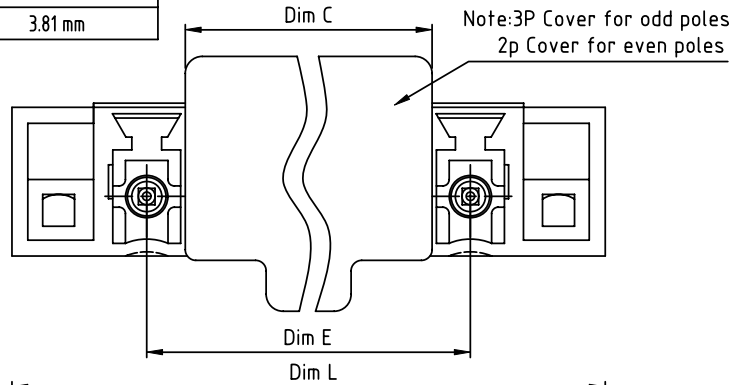
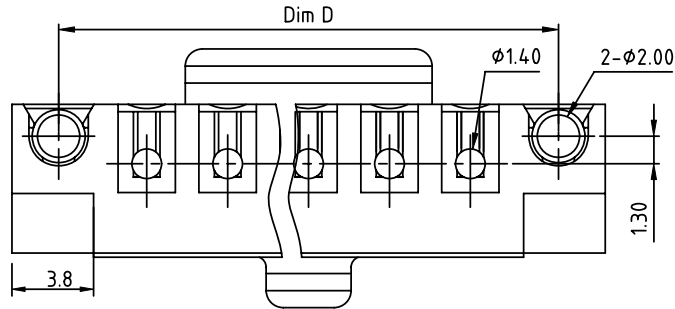
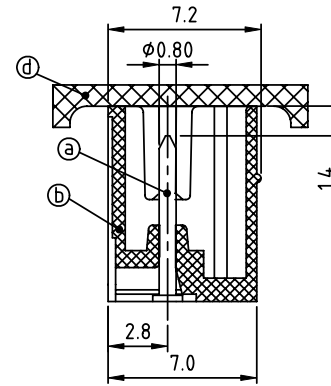
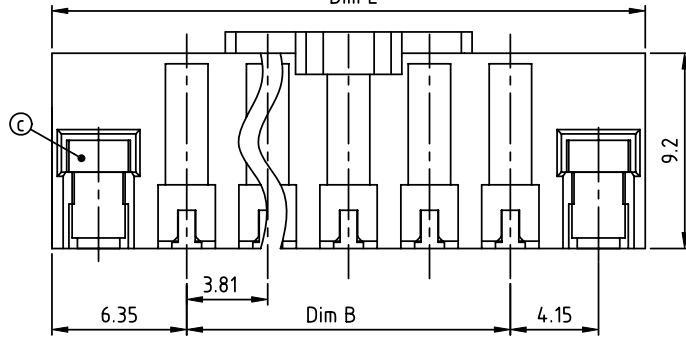


PRODUCT NUMBER	PITCH
OQxx3500DOJOG	3.81 mm



RECOMMENDED P.C.B LAYOUT
TOP VIEW



Material:

- ItemⒶPin: Brass, Tin plated
- ItemⒹTerminalhousing: High temp. polyamide (UL94V-0)
- ItemⒸWith flange stud: Brass, Tin plated
- ItemⒺWith cover: High temp. polyamide(UL94V-0)

Electrical:

- Voltage rating: 150V
- Current rating: 8A
- Withstanding Voltage: 1.3 KV
- Operating temperature: -40°C to +65°C
- Reflow soldering temperature: 260°C/10 Sec max

Poles	Dim C
2P	7.81
3P	11.62

Dim L	(N-1)×3.81+12.7
Dim B	(N-1)×3.81
Dim D	(N-1)×3.81+8.3
Dim E	(N-1)×3.81

Poles	Tolerance
2p-6p	±0.15
7p-12p	±0.20
13p-16p	±0.30

PART NO.: OQ xx 3 5 0 0 DOJO G

Solid block 0 Color Black (RAL9005)
 No. of poles 02 2 poles
 03 3 poles

 16 16 poles
 RoHS compliant (lead<4%)
 In copper Alloy

mat'l. code	surface ASME Y14.5	tolerance ASME Y14.5	projection	product family
ltr	ecn	no	dr	date
tolerances unless otherwise specified			MM	TERMINAL BLOCK
angles	φ	X.±0.5	scale	title
X*±1°	±	X.X±0.3		TERMINAL BLOCK
		X.XX±0.1		PLUGGABLE SOCKET, VERTICAL, SMT
dr	ENGR	EVIN ZHONG	051314	dwg no
enr	ENGR	EVIN ZHONG	051314	sheet 1 of 1
chr	ENGR	HANKE FENG	051314	size
appd	SHI JUN	051314		A4
sheet index	revision sheet	A	1	type
				CUSTOMER Drawing