



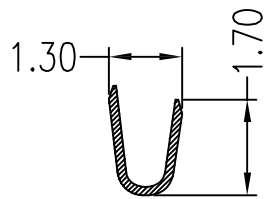
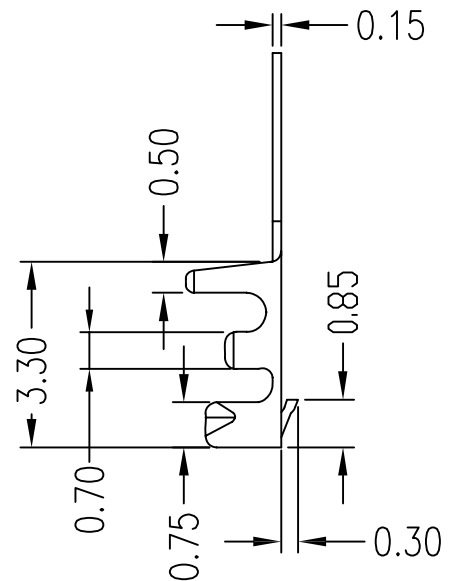
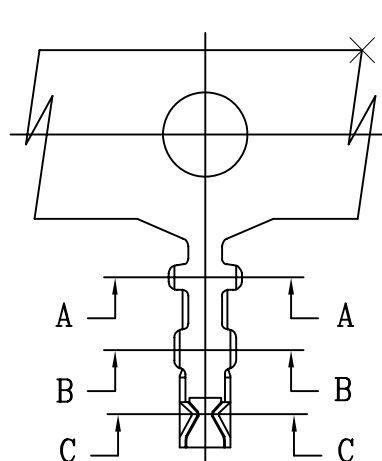
All rights strictly reserved. Reproduction or issue to third parties in any form whatever is not permitted without written authority from the proprietor. Property of FCI. Copyright FCI.

Tous droits strictement reserves. Reproduction ou communication a des tiers interdite sous quelque forme que ce soit sans autorisation ecrite du proprietaire. Propriete de c FCI. Droits de reproduction FCI.

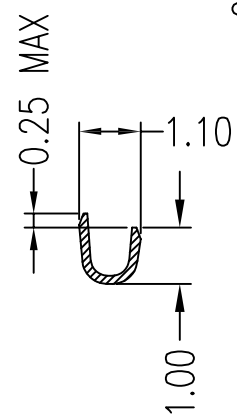
1 | 2

3

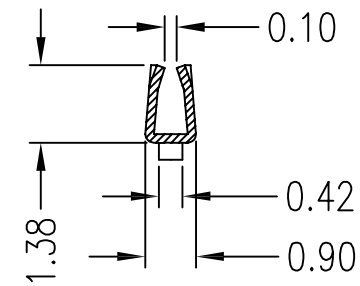
4



SEC A-A



SEC B-B



SEC C-C

Notes:

1. Stamping before plating.
2. Mated with 10114826 housing.
3. Product numbering:

Part No	Wire Range	Insulation O.D.	Material	Finish	Qty/reel
10114827-001LF	AWG#28-#32	1.00mm(max)	Phosphor Bronze	Tin-plated	20,000pcs
10114827-002LF	AWG#28-#32	1.00mm(max)	Phosphor Bronze	Gold-flash	20,000pcs
10114827-003LF	AWG#28-#32	1.00mm(max)	Phosphor Bronze	Gold15u"	20,000pcs
10114827-004LF	AWG#28-#32	1.00mm(max)	Phosphor Bronze	Gold30u"	20,000pcs

mat'l. code				tolerances unless otherwise specified			CUSTOMER COPY		FCI www.fciconnect.com	
ltr	ecn no	dr	date	linear	.X ± 0.25	projection MM	title			
A	T10-0145	J H	12/1/10		.XX ± 0.15		WTB 1.25MM TERMINAL			
B	ELX-N-17283	TIM	03/24/14	angles	.XXX ±		product family WTB size dwg no			
					0° ± 2'	scale	A4		10114827	
sheet index		revision sheet	B	1		1:1			code TWN sheet 1 of 1	

1 | 2

3

4