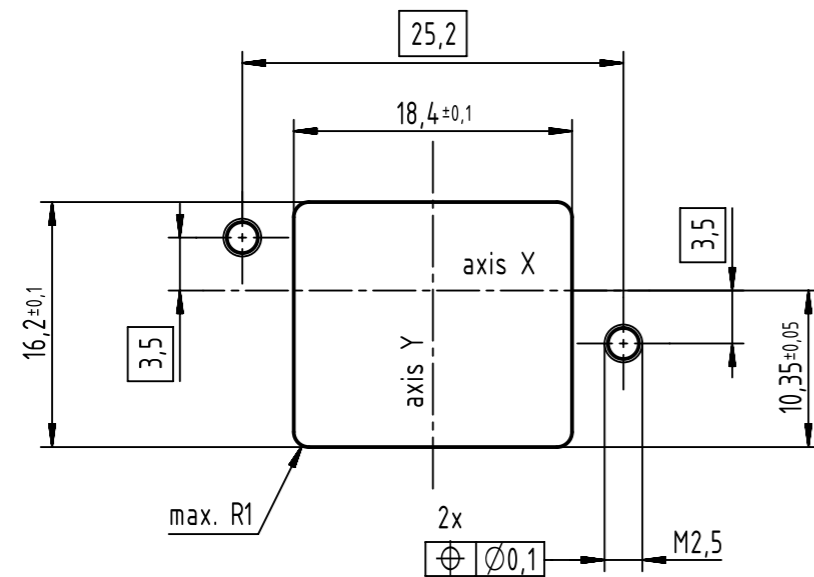


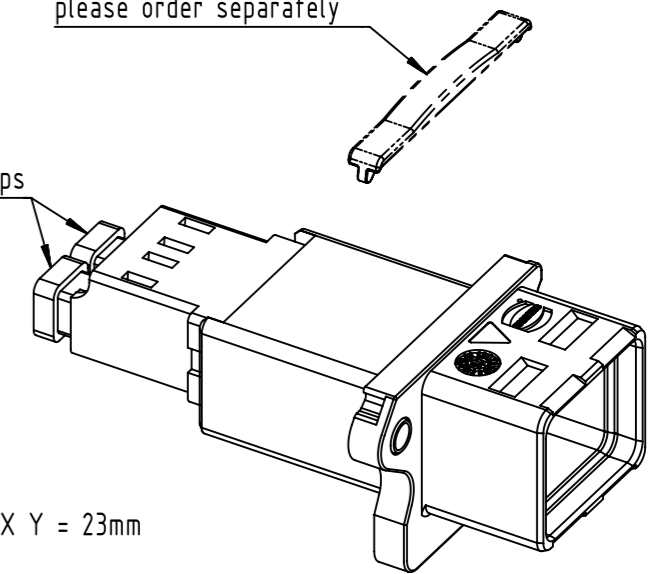
panel cutting



connector pitch on panel:
axis X = 27mm and axis Y = 21mm

Coding Clip for Receptacle
see 0945840002X
please order separately

Protection Caps



2 connector pitch with coding clip 0945840002X Y = 23mm

1 2x M2.5; screws acc. to ISO 4762;
please order separately; bolting torque 0.3 Nm - 0.5 Nm

	All rights reserved Department EC PD - DE HARTING Electronics GmbH D-32339 Espelkamp	All Dimensions in mm Original Size DIN A3	Scale 2:1	Free size tol.	Ref. Sub.
		Created by ELLERMANN	Inspected by ZWAHR	Standardisation KOHLER	Date 2018-05-30
Title HARTING PushPull V4, IP67 Receptacle, SM GOF					Doc-Key / ECM-Nr. 100679595/UGD/001/E 500000135700
Type TB		Number 09574420512000			Rev. E
					Page 1/1