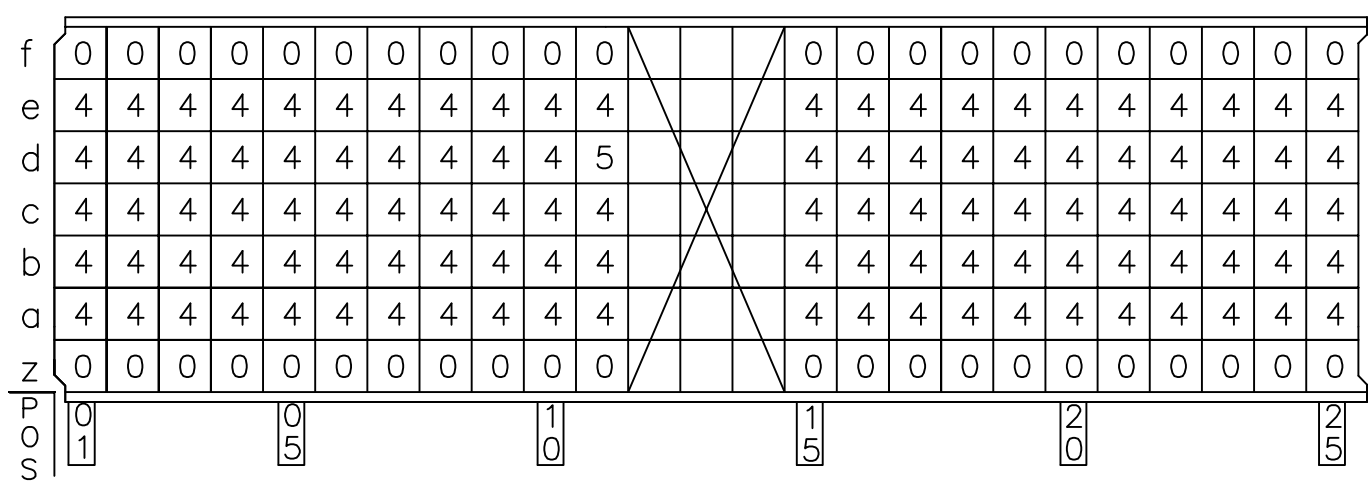
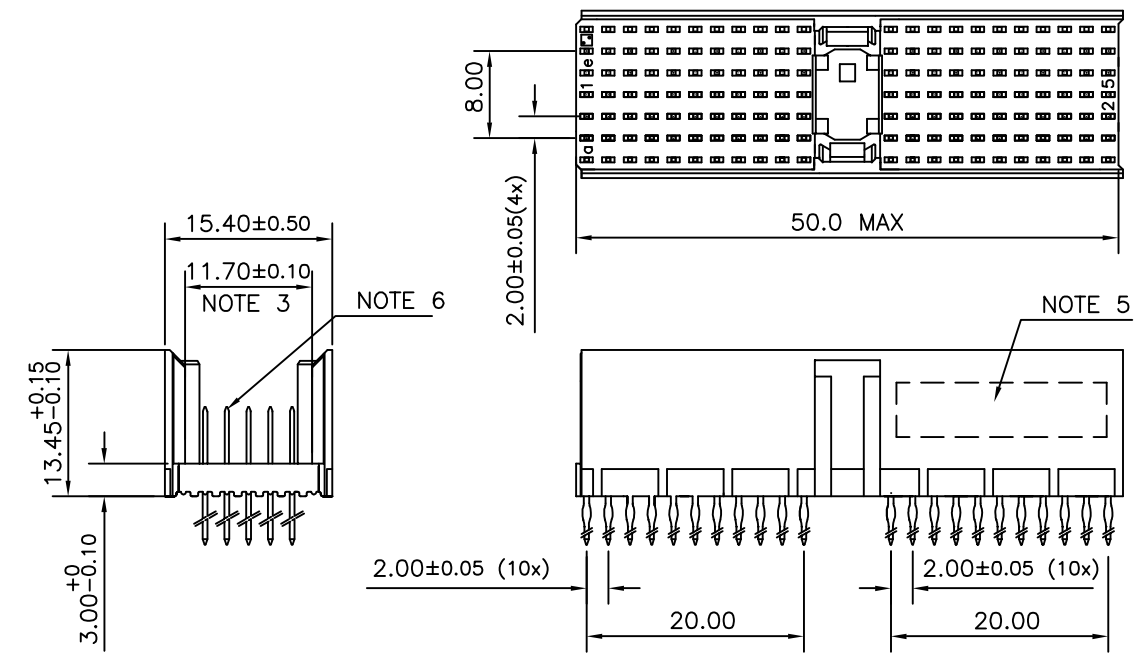


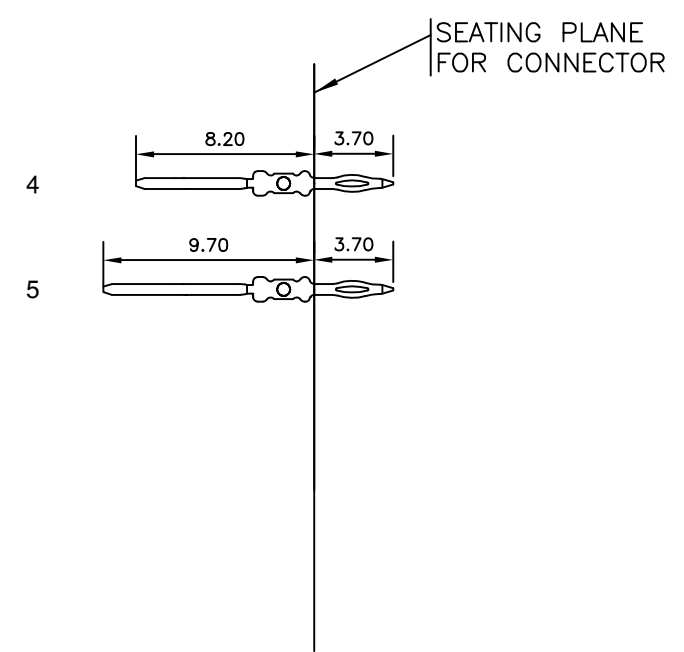
LOADING PATTERN MATING SIDE



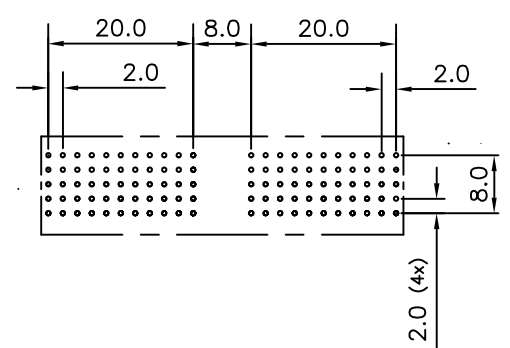
LOADED CONNECTOR ASSEMBLY (FOR EXAMPLE)



CONTACT OVERVIEW



LAY-OUT P.C.B.-HOLE



LEAD FREE INDICATOR : LF = LEAD FREE (DIGIT 15 & 16)

HM2P40PDE3L0

PLATING CODE (DIGIT 13 AND 14) (REF DRW NO. BS,C , 201844 , 003)

NOTES

- 1. THIS PRODUCT IS CSA APPROVED.
- 2. THIS PRODUCT IS UL RECOGNIZED.
- 3. MEASURED AT THE BOTTOM.
- 4. MATERIAL CONTACT: PHOSPHORBRONZE
HOUSING: CREAM WHITE GLASS FILLED POLYESTER UL-94V0
- 5. CONNECTOR PRINTED WITH P/N AND DATE CODE.
- 6. FOR ACTUAL CONTACT LOADINGS, SEE LOADING PATTERN MATING SIDE.
- 7. SHAPE OF CONNECTOR HOUSING CAN ALTER DEPENDING ON PRODUCTION LOCATION
- 8. THE PRODUCT (LF) MEETS EUROPEAN UNION DIRECTIVES AND OTHER COUNTRY REGULATIONS AS DESCRIBED IN GS-22-008
- 9. FOR RECOMMENDED PTH DIMENSIONS REFER DRAWING : BS, A , 201572 , 001

CATALOG NO: HM2P40PDE3L0----

mat'l. code SEE NOTE 4				surface ISO 1302 ✓	tolerance ISO 406 ISO 1101	projection 	product family MILLIPACS	
ltr				tolerances unless otherwise specified		title		sheet 1 of 1 size BS, C ,203028, 145 A3
A	I04-0081	MINI	2004/09/16	angles	linear	MPACS 5+2R STR HDR PF CONN TYPE A NO PEG		
B	I05-0189	MINI	2005/10/15	0°±1°		scale —		
C	I06-0090	MINI	2006/06/27					
				dr	MINI K VANDANATH	2004/09/16	dwg no	
				enr	BIJU K PAUL	2004/09/16	sheet 1 of 1	
				chr	BIJU K PAUL	2006/06/27	type	
				appd	BIJU K PAUL	2006/06/27	Product Customer Drawing	
sheet index		revision sheet	C					
			1					