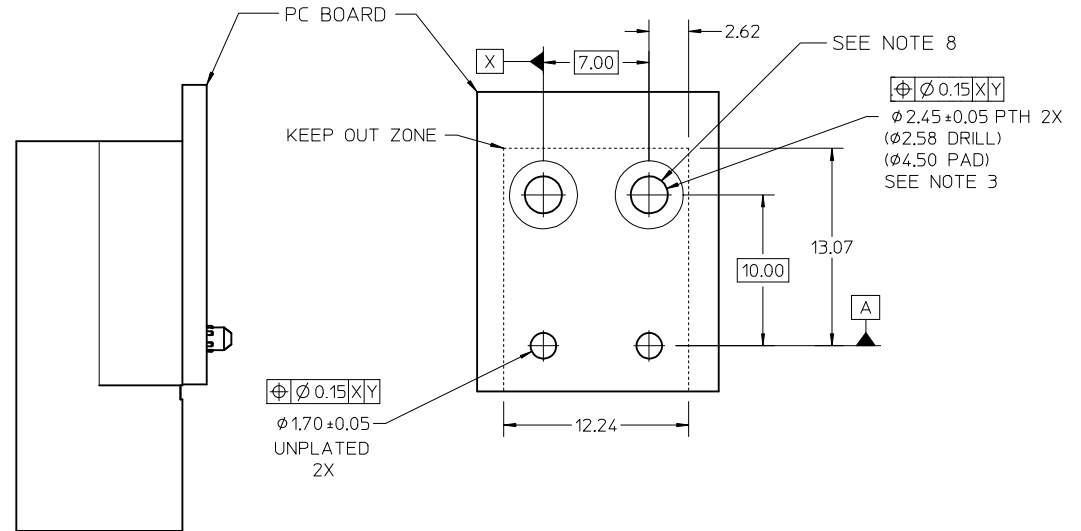
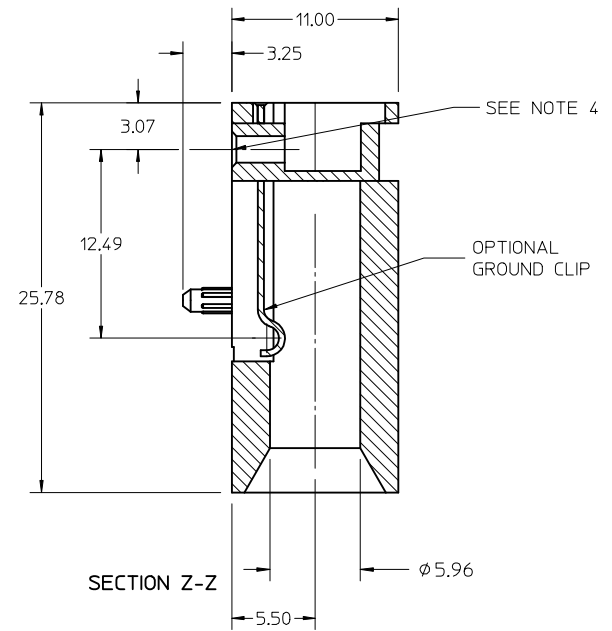
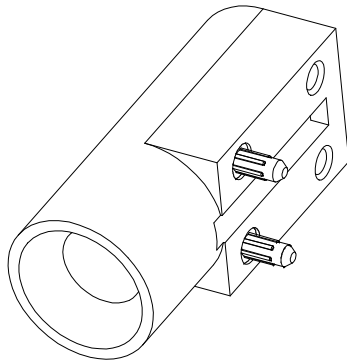


NOTES:

1. MATERIALS: HOUSING - ZINC DIE CAST.  
TERMINAL - HIGH PERFORMANCE COPPER ALLOY.
2. FINISH: HOUSING - CLEAR TRIVALENT CHROMATE (SILVER IN VISUAL APPEARANCE).  
TERMINAL - SELECTIVE GOLD IN CONTACT AREA.
3. THE ESD GROUND CLIP AND PLATED THROUGH HOLE REQUIREMENT APPLIES TO THE ESD GROUND MODULE ONLY. THE UNGROUNDED GUIDE MODULE USES A  $\varnothing 2.60 \pm 0.05$  UNPLATED SCREW HOLE.
4. SCREW TORQUE SPECIFICATION: 2.0 IN-LBS.
5. THIS GUIDE MODULE IS TO BE USED WITH GUIDE PIN KIT P/N 75234-1478.
6. KIT PART NUMBERS ARE SHIPPED WITH 2-56 UNC 2B SCREW P/N 73774-1000.
7. THIS PART CONFORMS TO CLASS B REQUIREMENTS OF COSMETIC SPEC PS-45499-002.
8. ALLOW A 5.60 MM DIAMETER KEEP-OUT ZONE FOR WASHERS INCLUDED WITH PROVIDED SCREWS.



KIT PART NUMBER*	STYLE
76153-1001	W/O ESD CLIP
76153-1002	W/ESD CLIP

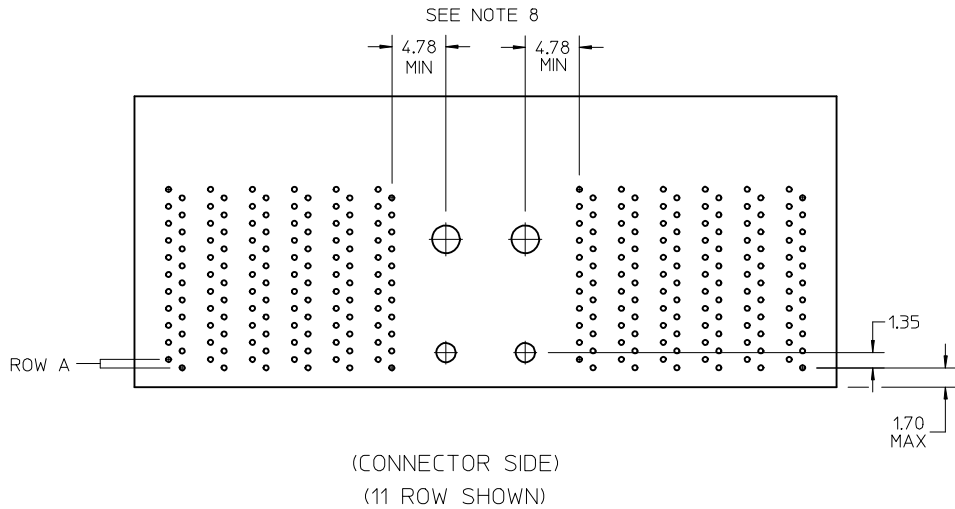
\*KIT PART NUMBER INCLUDES THE GUIDE MODULE AND 2 SCREWS. (SEE NOTE 6)

CORRECT IMPEL PIN A1 LOCATION IEC NO: UCP2016-4598 DR: WINDYARVARA 2016/05/26 CHKD: APPR: TELO 2016/05/26	QUALITY SYMBOLS ▽=0 ▽=0	GENERAL TOLERANCES (UNLESS SPECIFIED) <table border="1"> <thead> <tr> <th></th> <th>mm</th> <th>INCH</th> </tr> </thead> <tbody> <tr> <td>4 PLACES</td> <td>± .13</td> <td>± .005</td> </tr> <tr> <td>3 PLACES</td> <td>± .13</td> <td>± .005</td> </tr> <tr> <td>2 PLACES</td> <td>± 0.13</td> <td>± .005</td> </tr> <tr> <td>1 PLACE</td> <td>± 0.25</td> <td>± .010</td> </tr> </tbody> </table> ANGULAR ± .5 °		mm	INCH	4 PLACES	± .13	± .005	3 PLACES	± .13	± .005	2 PLACES	± 0.13	± .005	1 PLACE	± 0.25	± .010	DIMENSION STYLE MM ONLY	SCALE 4:1	DESIGN UNITS METRIC	THIRD ANGLE PROJECTION
		mm	INCH																		
	4 PLACES	± .13	± .005																		
	3 PLACES	± .13	± .005																		
2 PLACES	± 0.13	± .005																			
1 PLACE	± 0.25	± .010																			
DRAWN BY JMENDOZA	DATE 2008/11/20	TITLE PIRATE CANNON WIDE GUIDE DIE CAST GUIDE MODULE		MOLEX INCORPORATED																	
CHECKED BY JLAURX	DATE 2008/11/20	APPROVED BY JLAURX		DATE 2008/11/20	MOLEX INCORPORATED																
MATERIAL NO. SEE CHART		DOCUMENT NO. SD-76153-001		SHEET NO. 1 OF 3																	

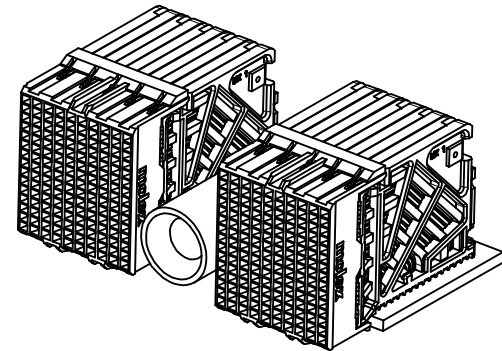
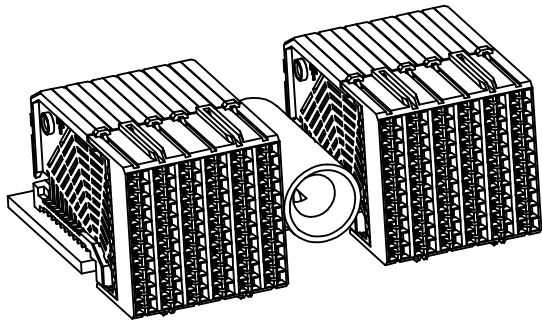
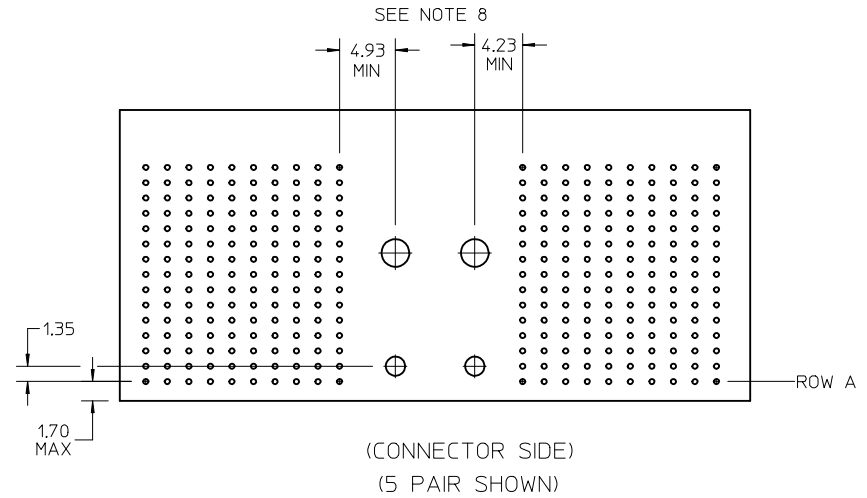
DRAFT WHERE APPLICABLE MUST REMAIN WITHIN DIMENSIONS

THIS DRAWING CONTAINS INFORMATION THAT IS PROPRIETARY TO MOLEX INCORPORATED AND SHOULD NOT BE USED WITHOUT WRITTEN PERMISSION

### I-TRAC DAUGHTERCARD BOARD LAYOUT



### IMPACT DAUGHTERCARD BOARD LAYOUT



#### NOTES:

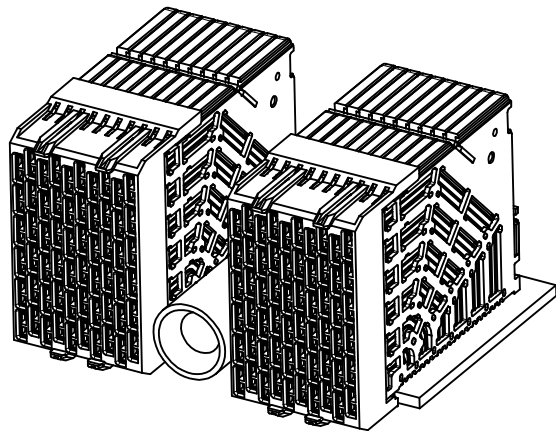
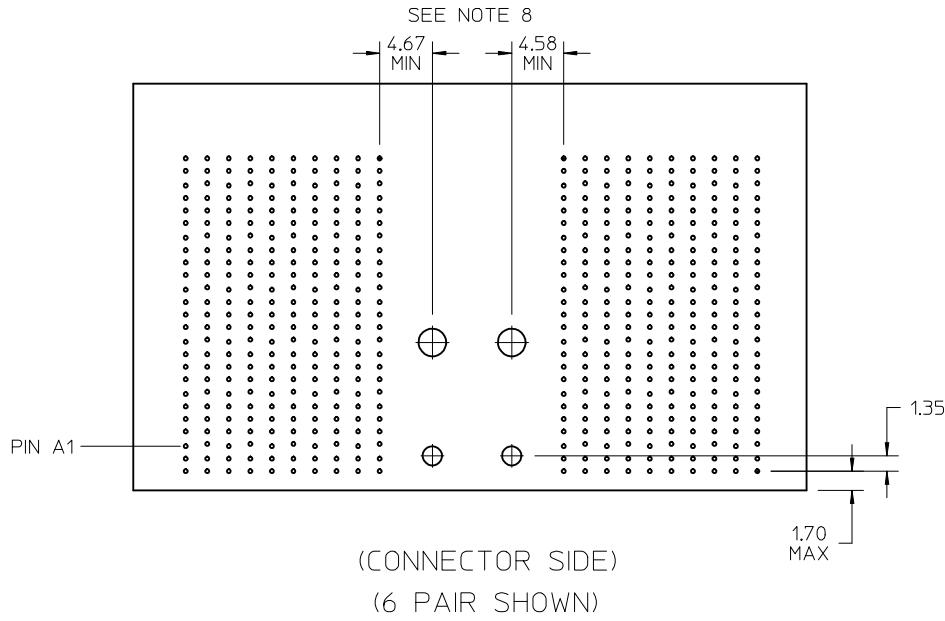
- 8. THIS DIMENSION IS RELATED TO THE GUIDE PIN SPACING ON THE BACKPLANE SIDE, AS THIS DIMENSION INCREASES THE BACKPLANE TO GUIDE PIN SPACING MUST ALSO INCREASE. PLEASE SEE SD-75234-478 FOR ADDITIONAL INFORMATION.
- 9. THIS DRAWING SHOWS IMPACT AND I-TRAC FOR REFERENCE PURPOSES, THIS GUIDE MODULE IS A STANDALONE UNIT AND CAN BE USED WITH MANY MOLEX CONNECTORS.
- 10.FOR DETAIL SIGNAL CONNECTOR BOARD LAYOUTS PLEASE SEE THE SALES DRAWING FOR THE SPECIFIC PART.

<b>SEE SHEET 1</b> EC NO: UCP2016-4598 DRWN:DVARVARA 2016/05/26 CHKD: APPR:TELO REV: E7	DESCRIPTION 2016/05/26	QUALITY SYMBOLS ▽=0 ▽=0	GENERAL TOLERANCES (UNLESS SPECIFIED) <table border="1"> <tr> <td></td> <td>mm</td> <td>INCH</td> </tr> <tr> <td>4 PLACES</td> <td>± .---</td> <td>± .---</td> </tr> <tr> <td>3 PLACES</td> <td>± .---</td> <td>± .---</td> </tr> <tr> <td>2 PLACES</td> <td>± 0.13</td> <td>± .---</td> </tr> <tr> <td>1 PLACE</td> <td>± 0.25</td> <td>± .---</td> </tr> </table>		mm	INCH	4 PLACES	± .---	± .---	3 PLACES	± .---	± .---	2 PLACES	± 0.13	± .---	1 PLACE	± 0.25	± .---	DIMENSION STYLE <b>MM ONLY</b>	SCALE <b>3:1</b>	DESIGN UNITS <b>METRIC</b>	THIRD ANGLE PROJECTION
		mm	INCH																			
	4 PLACES	± .---	± .---																			
	3 PLACES	± .---	± .---																			
2 PLACES	± 0.13	± .---																				
1 PLACE	± 0.25	± .---																				
DRAWN BY JMENDOZA			DATE 2008/11/20	TITLE <b>PIRATE CANNON WIDE GUIDE DIE CAST GUIDE MODULE</b>																		
CHECKED BY JLAURX			DATE 2008/11/20	APPROVED BY JLAURX																		
MATERIAL NO. <b>SEE CHART</b>			DATE 2008/11/20	MOLEX INCORPORATED		DOCUMENT NO. <b>SD-76153-001</b>	SHEET NO. <b>2 OF 3</b>															

DRAFT WHERE APPLICABLE MUST REMAIN WITHIN DIMENSIONS

THIS DRAWING CONTAINS INFORMATION THAT IS PROPRIETARY TO MOLEX INCORPORATED AND SHOULD NOT BE USED WITHOUT WRITTEN PERMISSION

IMPEL DAUGHTERCARD BOARD LAYOUT



SEE SHEET 1 EC NO: UCP2016-4598 DRWN: DVARVARA 2016/05/26 CHKD: APPR: TELO 2016/05/26	QUALITY SYMBOLS ▽=0 ▽=0 ▽=0	GENERAL TOLERANCES (UNLESS SPECIFIED) <table border="1"> <thead> <tr> <th></th> <th>mm</th> <th>INCH</th> </tr> </thead> <tbody> <tr> <td>4 PLACES</td> <td>± .005</td> <td>± .0002</td> </tr> <tr> <td>3 PLACES</td> <td>± .005</td> <td>± .0002</td> </tr> <tr> <td>2 PLACES</td> <td>± 0.13</td> <td>± .005</td> </tr> <tr> <td>1 PLACE</td> <td>± 0.25</td> <td>± .010</td> </tr> <tr> <td>0 PLACE</td> <td>±</td> <td>±</td> </tr> </tbody> </table>		mm	INCH	4 PLACES	± .005	± .0002	3 PLACES	± .005	± .0002	2 PLACES	± 0.13	± .005	1 PLACE	± 0.25	± .010	0 PLACE	±	±	DIMENSION STYLE MM ONLY DRAWN BY DATE JMENDOZA 2008/11/20 CHECKED BY DATE JLAURX 2008/11/20 APPROVED BY DATE JLAURX 2008/11/20	SCALE 3:1 DESIGN UNITS METRIC THIRD ANGLE PROJECTION	TITLE PIRATE CANNON WIDE GUIDE DIE CAST GUIDE MODULE
		mm	INCH																				
	4 PLACES	± .005	± .0002																				
	3 PLACES	± .005	± .0002																				
2 PLACES	± 0.13	± .005																					
1 PLACE	± 0.25	± .010																					
0 PLACE	±	±																					
MATERIAL NO. SEE CHART	DOCUMENT NO. SD-76153-001	SHEET NO. 3 OF 3																					
DRAFT WHERE APPLICABLE MUST REMAIN WITHIN DIMENSIONS		THIS DRAWING CONTAINS INFORMATION THAT IS PROPRIETARY TO MOLEX INCORPORATED AND SHOULD NOT BE USED WITHOUT WRITTEN PERMISSION																					
REV E7																							