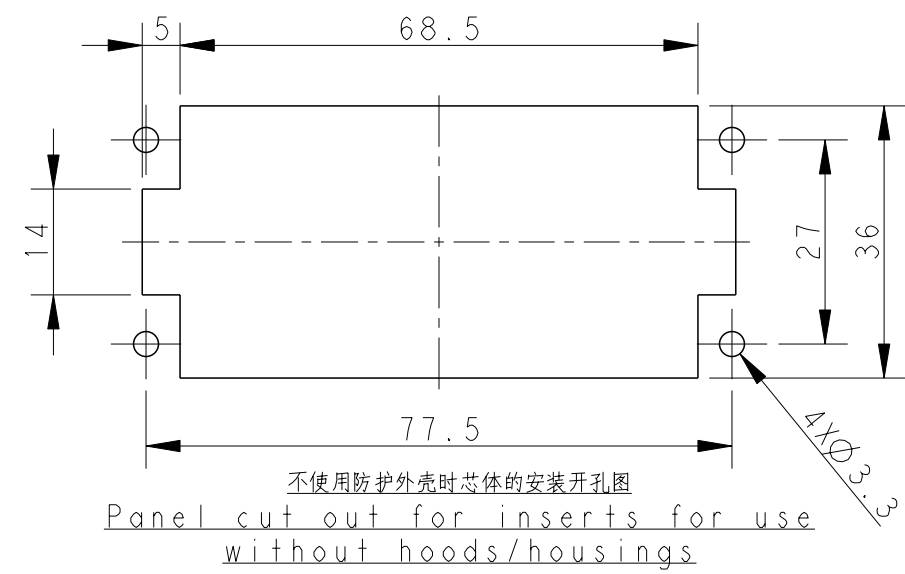
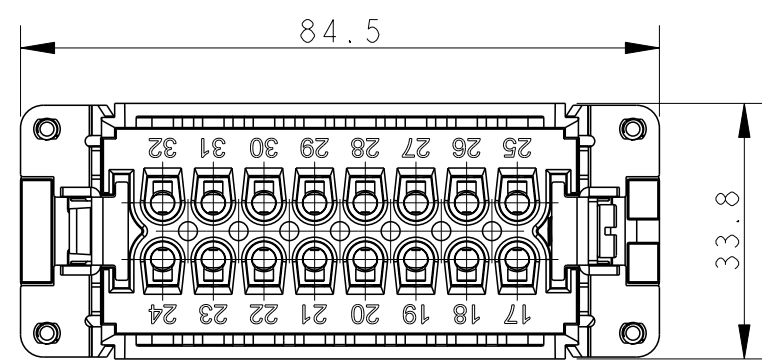
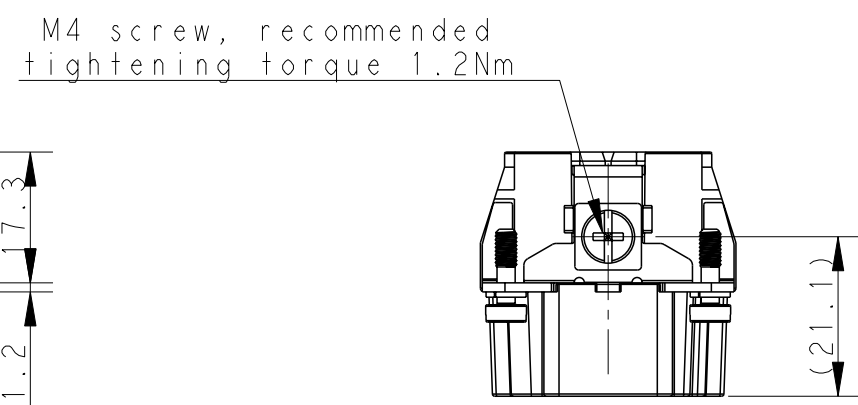
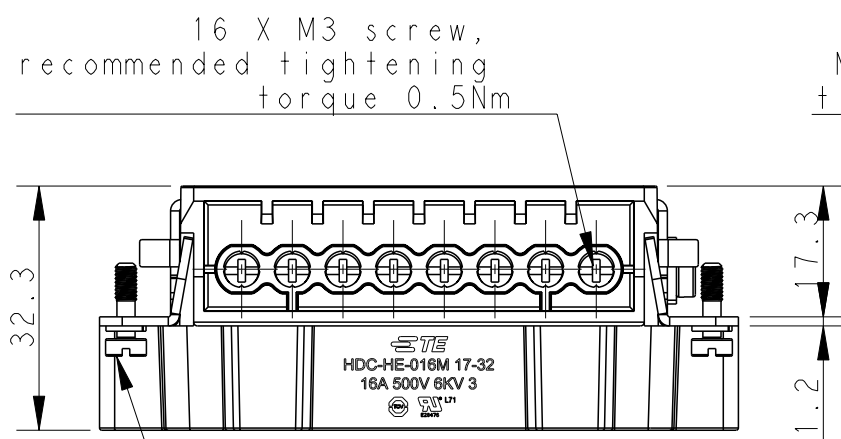


THIS DRAWING IS UNPUBLISHED. RELEASED FOR PUBLICATION 20
 © COPYRIGHT 20 BY - ALL RIGHTS RESERVED.

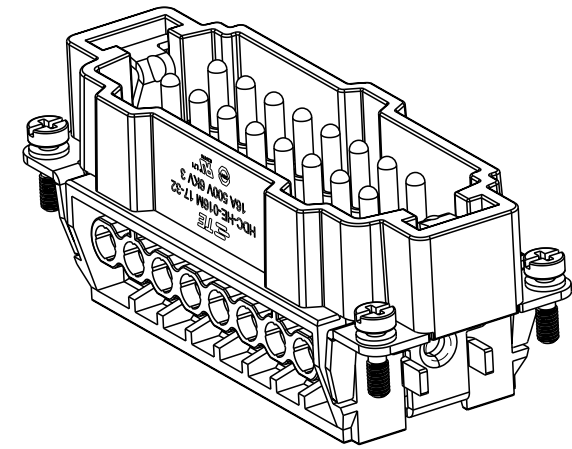
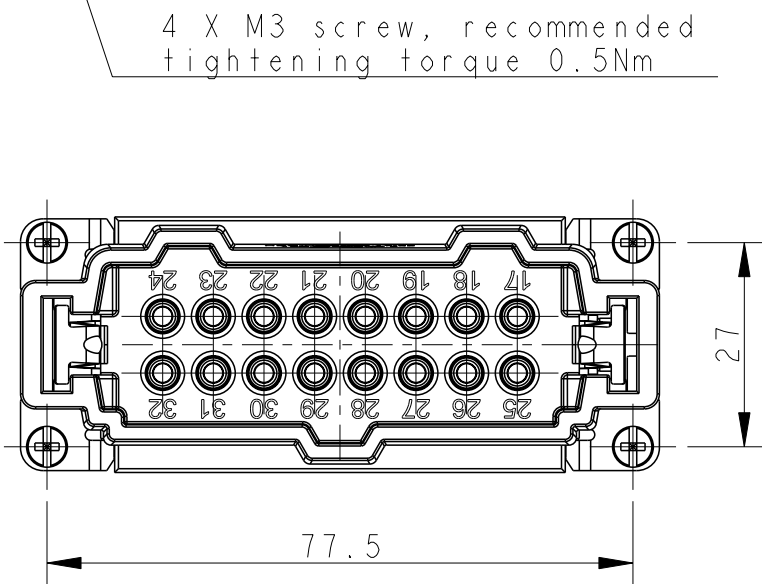
REVISIONS					
P	LTR	DESCRIPTION	DATE	DWN	APVD
A		INITIAL RELEASE	20APR2015	GY	CW
B		ECR-15-013759	28SEP2015	DW	CW




NOTES:
 1. TECHNICAL CHARACTERISTICS:
 INSULATION MATERIAL: PC
 RATED VOLTAGE: 500V
 RATED CURRENT: 16A
 INSULATION RESISTANCE: $\geq 400M\Omega$
 RATED IMPULSE VOLTAGE: 6KV
 POLLUTION DEGREE: 3
 FLAMMABILITY: UL94V-0
 MATING CYCLES: 500 CYCLES
 OPERATION TEMPERATURE: $-40^{\circ}C \sim +125^{\circ}C$
 WIRE RANGE: $0.5mm^2 \sim 2.5mm^2$ (AWG20-AWG14)
 CONTACT TYPE: SCREW CLAMP (M3)



注释:
 1. 技术参数:
 绝缘材料: PC
 额定电压: 500V
 额定电流: 16A
 绝缘电阻: $\geq 400M\Omega$
 脉冲电压: 6KV
 污染等级: 3
 阻燃等级: UL94V-0
 插拔次数: 500 次
 工作温度: $-40^{\circ}C \sim +125^{\circ}C$
 接线范围: $0.5mm^2 \sim 2.5mm^2$ (AWG20-AWG14)
 接线类型: 螺丝压接 (M3)



HE-016-M 17-32	T2040322101-000
DESCRIPTION	PART NUMBER

THIS DRAWING IS A CONTROLLED DOCUMENT.		DWN	21APR2015	 TE Connectivity	NAME	HE-016-M 17-32				
DIMENSIONS:		CHK	21APR2015			PRODUCT SPEC	108-137044			
mm		APVD	21APR2015				APPLICATION SPEC	114-137044		
TOLERANCES UNLESS OTHERWISE SPECIFIED:		Xiang Xu					WEIGHT	-		
0 PLC ±-		Customer Drawing		SCALE	1:1					
1 PLC ±-		Customer Drawing		RESTRICTED TO	-					
2 PLC ±-		Customer Drawing		SIZE	A300779					
3 PLC ±-		Customer Drawing		CAGE CODE	C-T2040322101000					
4 PLC ±-		Customer Drawing		DRAWING NO	T2040322101000					
ANGLES ±-		Customer Drawing		SHEET	1 OF 1					
FINISH		Customer Drawing		REV	B					
-		Customer Drawing		Customer Drawing						
-		Customer Drawing		Customer Drawing						