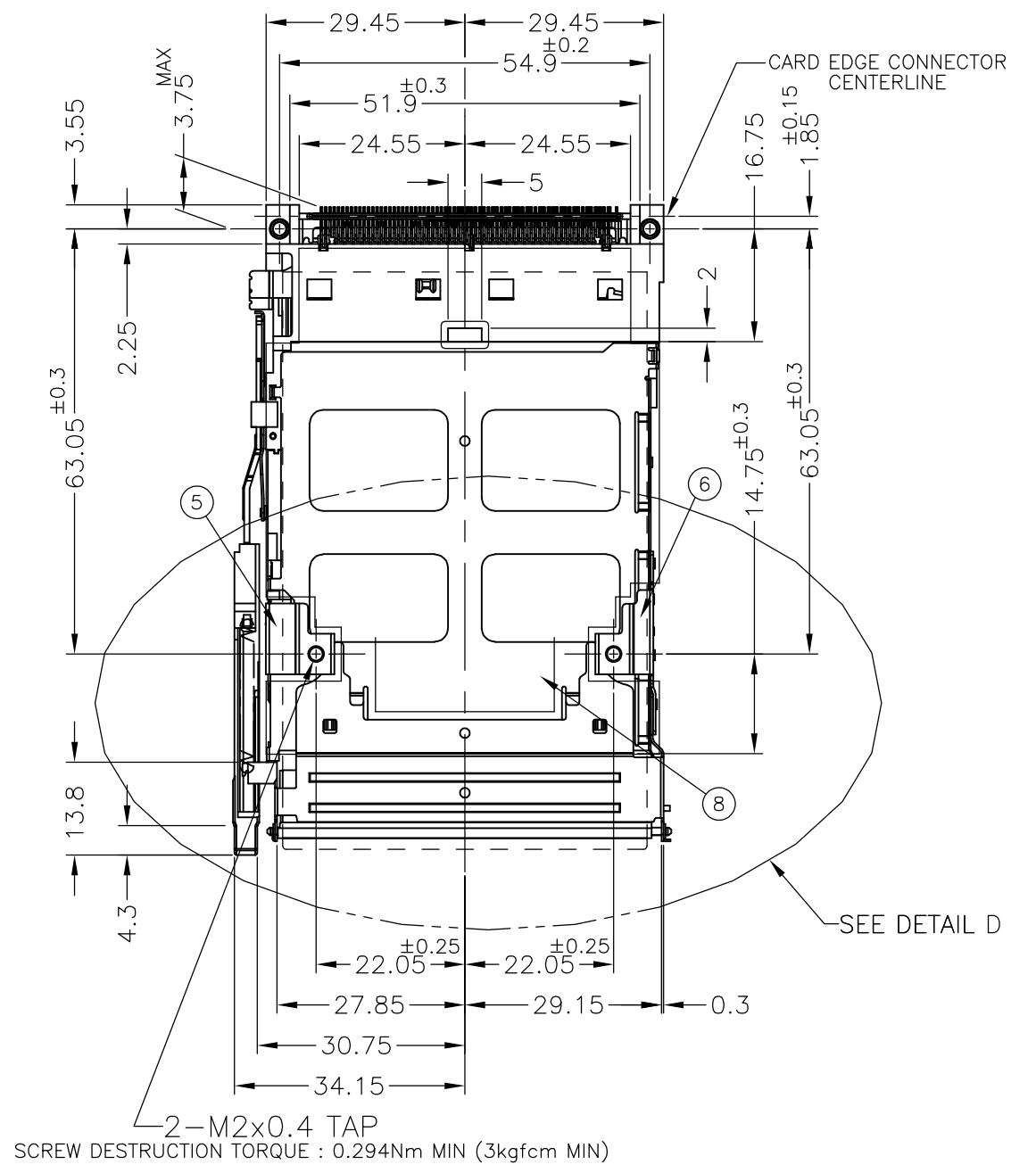
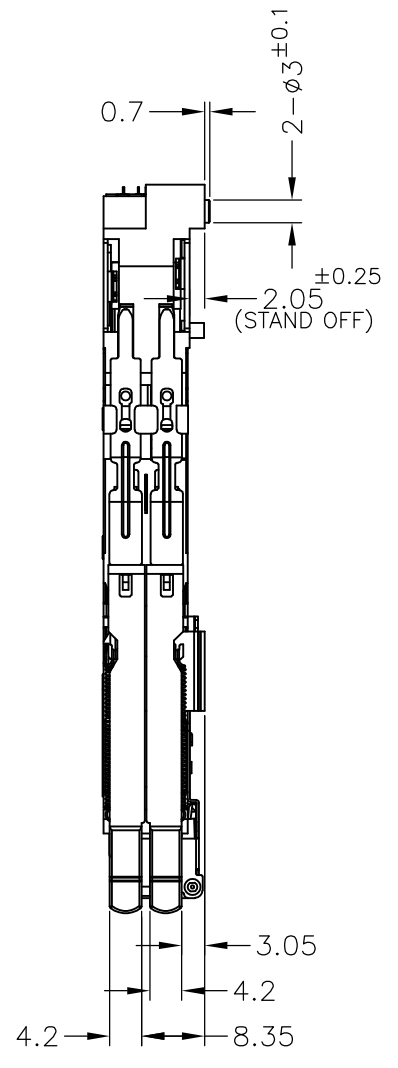
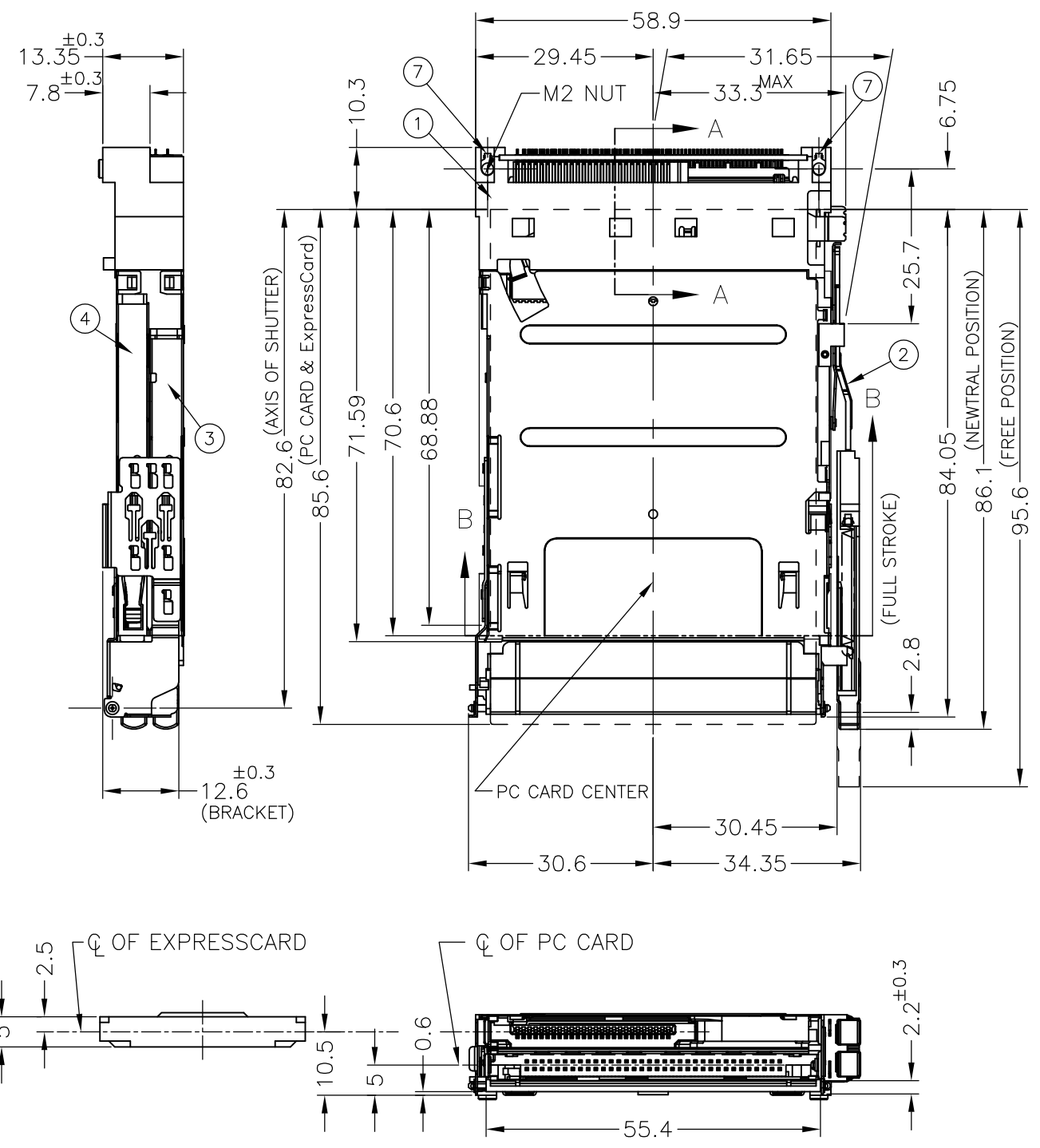


THIS DRAWING IS UNPUBLISHED. RELEASED FOR PUBLICATION  
 © COPYRIGHT BY TYCO ELECTRONICS CORPORATION. ALL RIGHTS RESERVED.

LOC	DIST	REVISIONS			DATE	DWN	APVD
		P	LTR	DESCRIPTION			
—	—	A	RELEASED	30APR08	S.H	H.K	



1759323-1 : AS SHOWN

QTY	NAME	ITEM
1	INSULATION SHEET	⑧
2	NUT (M2x0.4)	⑦
1	BRACKET (L)	⑥
1	BRACKET (R)	⑤
1	LOWER SHELL	④
1	UPPER SHELL	③
1	PUSH-PUSH SUB ASSY	②
1	HEADER ASSY (TOP TYPE, RIGHT BUTTON)	①

THIS DRAWING IS A CONTROLLED DOCUMENT.	
DIMENSIONS: mm	TOLERANCES UNLESS OTHERWISE SPECIFIED:
	0 PLC ± 0.5
	1 PLC ± 0.5
	2 PLC ± 0.5
	3 PLC ± 0.5
	4 PLC ± 0.5
	ANGLES ± 3'
MATERIAL	FINISH

DWN	30APR2008	Tyco Electronics Corporation Taipei, Taiwan
CHK	30APR2008	
APVD	30APR2008	
PRODUCT SPEC		
NAME		CARDBUS-EXPRESS CARD CONNECTOR TOP MOUNT TYPE PUSH-PUSH RIGHT BUTTON
SIZE	CAGE CODE	
DRAWING NO		RESTRICTED TO
WEIGHT		
CUSTOMER DRAWING		SCALE
		SHEET
		REV

4

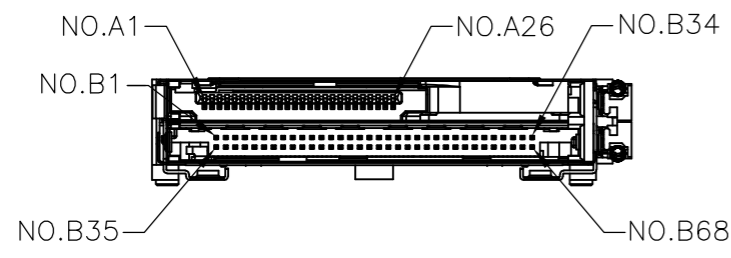
3

2

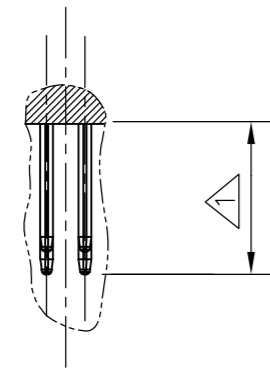
1

THIS DRAWING IS UNPUBLISHED. RELEASED FOR PUBLICATION  
 © COPYRIGHT BY TYCO ELECTRONICS CORPORATION. ALL RIGHTS RESERVED.

LOC	DIST	REVISIONS					
		P	LTR	DESCRIPTION	DATE	DWN	APVD
—	—	—	—	SEE SHEET 1	—	—	—



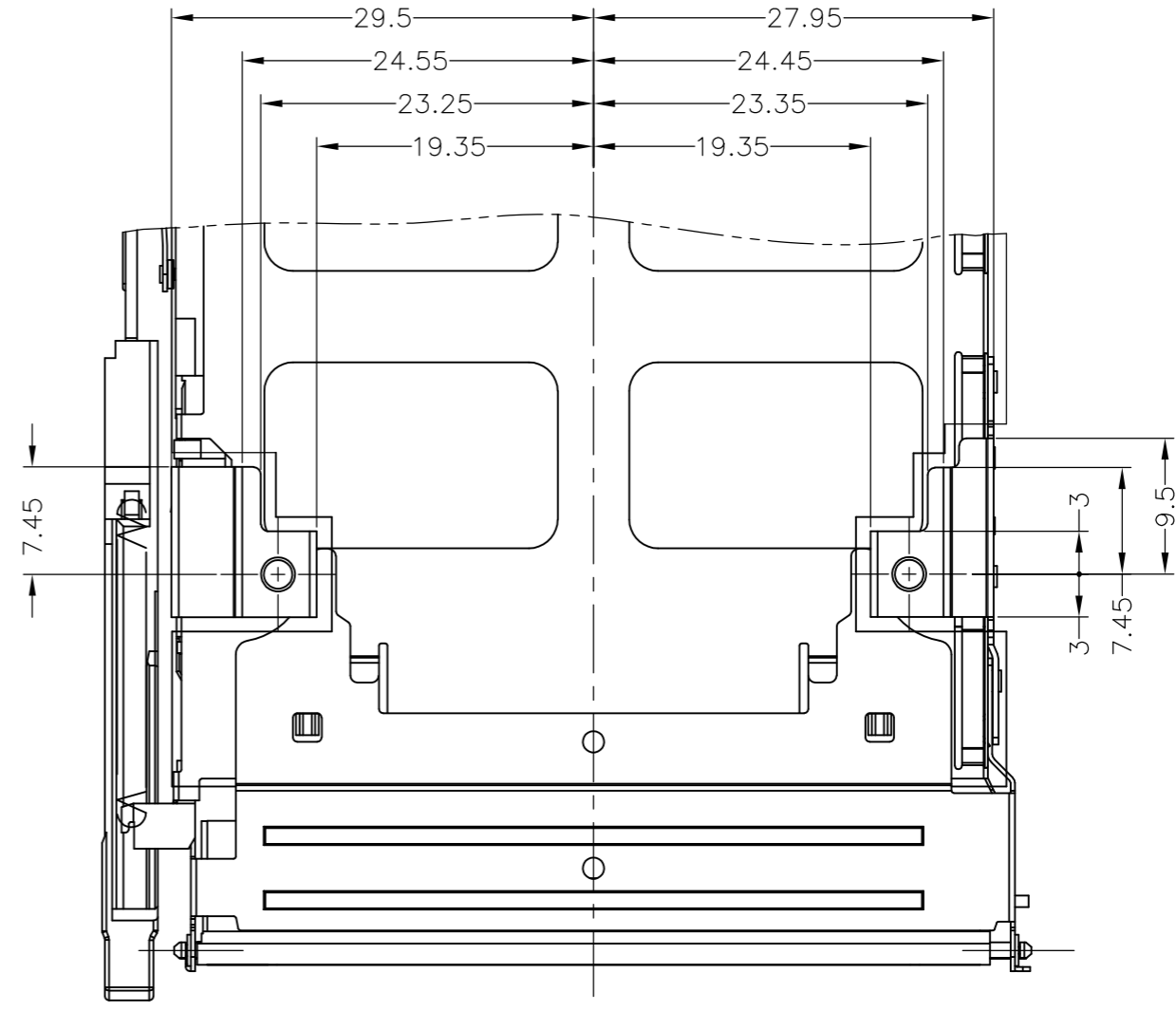
B-B



A-A  
 SCALE 4:1  
 (PC CARD SLOT)

TABLE-1

POST LENGTH	5	3.5	4.25
CIRCUIT NO.	1,17,34,35,51,68	36,67	OTHERS

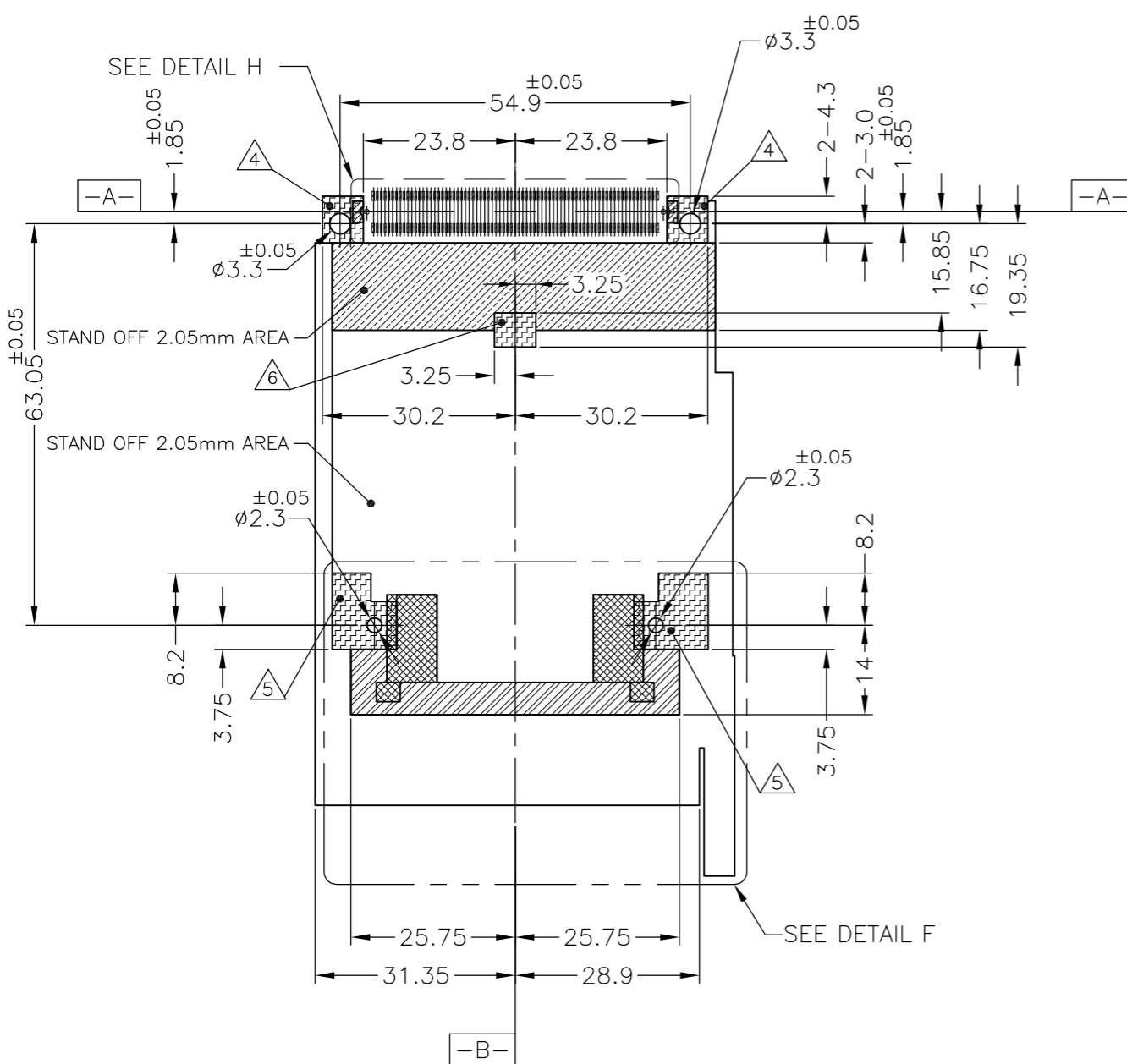


DETAIL D  
 SCALE 2:1

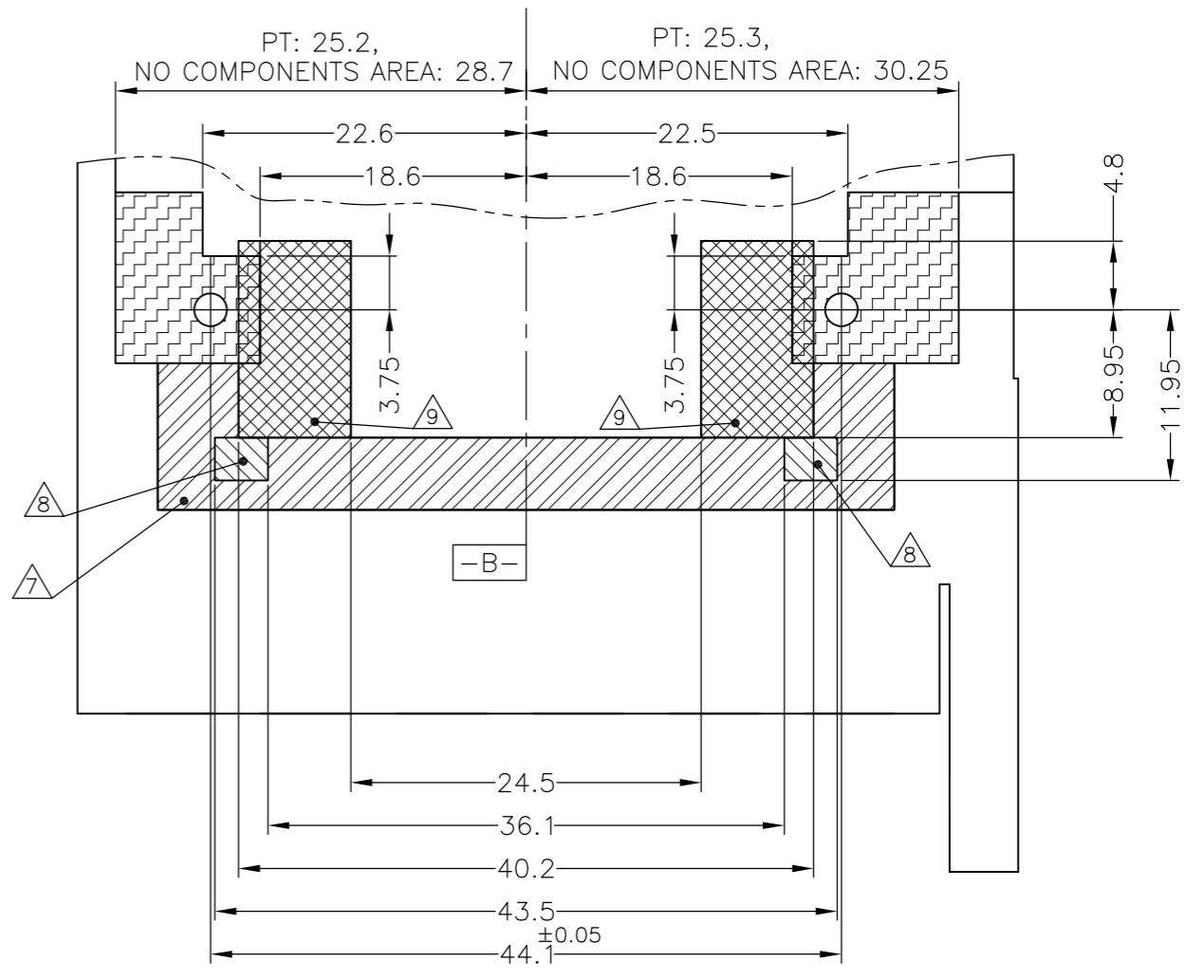
THIS DRAWING IS A CONTROLLED DOCUMENT.		DWN	Tyco Electronics Corporation Taipei, Taiwan		
DIMENSIONS: mm	TOLERANCES UNLESS OTHERWISE SPECIFIED:	CHK	NAME		
	0 PLC ± 0.5	APVD	CARDBUS-EXPRESS CARD CONNECTOR		
	1 PLC ± 0.5	PRODUCT SPEC	TOP MOUNT TYPE		
	2 PLC ± 0.5	APPLICATION SPEC	PUSH-PUSH RIGHT BUTTON		
	3 PLC ± 0.5	WEIGHT	SIZE	CAGE CODE	DRAWING NO
	4 PLC ± 0.5	CUSTOMER DRAWING	A3	00779	C-1759323
	ANGLES ± 3'		SCALE	SHEET	REV
MATERIAL	FINISH	1:1		2 OF 4	A

THIS DRAWING IS UNPUBLISHED. RELEASED FOR PUBLICATION  
 © COPYRIGHT BY TYCO ELECTRONICS CORPORATION. ALL RIGHTS RESERVED.

LOC	DIST	REVISIONS					
		P	LTR	DESCRIPTION	DATE	DWN	APVD
-	-	-	-	SEE SHEET 1	-	-	-



APPLICABLE P.C. BOARD LAYOUT  
(VIEW FROM CONNECTOR MOUNTING SIDE)



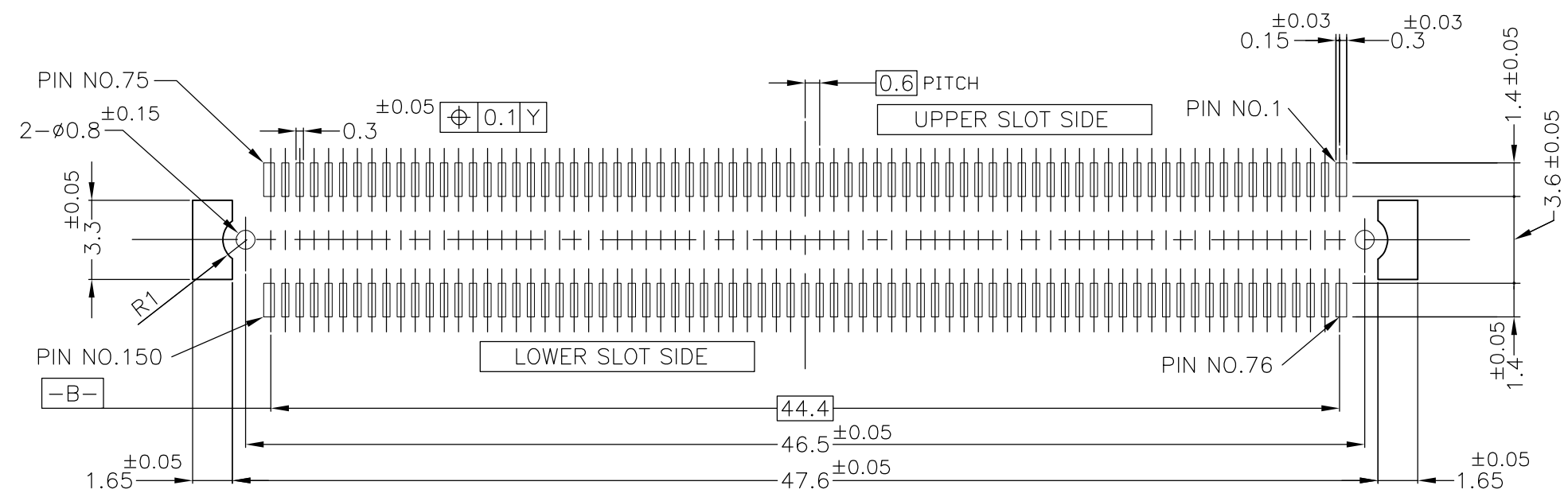
DETAIL F  
(SCALE 2:1)

- 1 REFER TO TABLE 1 FOR POST CONTACT LENGTH.
- 2 RECOMMENDED TIGHTENING TORQUE : FROM 0.15N·m (1.5kg·cm) TO 0.2N·m (2kg·cm)
- 3 APPLIED CARD: PCMCIA ATTRIBUTE PC CARD.
- 4 NO ELECTRONICS COMPONENTS. (NO SIGNAL LINE AREA)
- 5 GROUNDING PAD.
- 6 NO COMPONENT AREA.
- 7 STAND OFF 1.95mm AREA. [diagonal lines]
- 8 STAND OFF 1.75mm AREA. [cross-hatch]
- 9 STAND OFF 1.65mm AREA. [stippled]
- 10 PRODUCT SPEC:  
PCMCIA CARD CONNECTOR: 108-78192  
EXPRESS CARD CONNECTOR: 108-5923

THIS DRAWING IS A CONTROLLED DOCUMENT.		DWN		Tyco Electronics Tyco Electronics Corporation Taipei, Taiwan	
DIMENSIONS: mm		CHK		NAME	
TOLERANCES UNLESS OTHERWISE SPECIFIED:		APVD		CARDBUS-EXPRESS CARD CONNECTOR TOP MOUNT TYPE PUSH-PUSH RIGHT BUTTON	
0 PLC ± 0.5		PRODUCT SPEC		SIZE CAGE CODE DRAWING NO RESTRICTED TO	
1 PLC ± 0.5		APPLICATION SPEC		A3 00779 C-1759323	
2 PLC ± 0.5		WEIGHT		SCALE 1:1 SHEET 3 OF 4 REV A	
3 PLC ± 0.5		CUSTOMER DRAWING			
4 PLC ± 0.5					
ANGLES ± 3'					
MATERIAL					
FINISH					

THIS DRAWING IS UNPUBLISHED. RELEASED FOR PUBLICATION  
 © COPYRIGHT - BY TYCO ELECTRONICS CORPORATION. ALL RIGHTS RESERVED.

LOC	DIST	REVISIONS			
P	LTR	DESCRIPTION	DATE	DWN	APVD
-	-	SEE SHEET 1	-	-	-



0.6mm PITCH CARD EDGE CONNECTOR FOR THIS CARDBUS PRODUCTS	
PARTS NUMBER	DESCRIPTION
1123215-1	HARD TRAY ASSY
1376045-1	ON TAPING(EMBOSS)

DETAIL H

### PIN ASSIGNMENT

FOR TOP MOUNT

LOWER SLOT		UPPER SLOT	
PIN NO. CARD BUS	PIN NO. REC CONN 150P	PIN NO. EXPRESS CARD	PIN NO. REC CONN 150P
B35	150	A1	75
B1	149	A2	74
B36	148	A3	73
B2	147	A4	72
B37	146	A5	71
B3	145	A6	70
B38	144	A7	69
B4	143	A8	68
B39	142	A9	67
B5	141	A10	66
B40	140	A11	65
B6	139	A12	64
B41	138	A13	63
B42	137	A14	62
B7	136	A15	61
B43	135	A16	60
B44	134	A17	59
B8	133	A18	58
B45	132	A19	57
B9	131	A20	56
B46	130	A21	55
B10	129	A22	54
B47	128	A23	53
B11	127	A24	52
B48	126	A25	51
B49	125	A26	50
B12	124		49
B47	123		48
B13	122		47
B48	121		46
B14	120		45
B49	119		44
B15	118		43
B50	117		42
B16	116		41
B51	115		40
B17	114		39
B52	113		38
B18	112		37
B19	111		36
B20	110		35
B21	109		34
B22	108		33
B23	107		32
B24	106		31
B25	105		30
B26	104		29
B27	103		28
B28	102		27
B29	101		26
B30	100		25
B31	99		24
B32	98		23
B33	97		22
B34	96		21
B35	95		20
B36	94		19
B37	93		18
B38	92		17
B39	91		16
B40	90		15
B41	89		14
B42	88		13
B43	87		12
B44	86		11
B45	85		10
B46	84		9
B47	83		8
B48	82		7
B49	81		6
B50	80		5
B51	79		4
B52	78		3
B53	77		2
B54	76		1

THIS DRAWING IS A CONTROLLED DOCUMENT.		DWN	Tyco Electronics Corporation Taipei, Taiwan	
DIMENSIONS: mm		CHK	NAME	
TOLERANCES UNLESS OTHERWISE SPECIFIED:		APVD	CARDBUS-EXPRESS CARD CONNECTOR TOP MOUNT TYPE PUSH-PUSH RIGHT BUTTON	
0 PLC ± 0.5		PRODUCT SPEC	SIZE	CAGE CODE
1 PLC ± 0.5		APPLICATION SPEC	A3	00779
2 PLC ± 0.5		WEIGHT	DRAWING NO	RESTRICTED TO
3 PLC ± 0.5		CUSTOMER DRAWING	G-1759323	
4 PLC ± 0.5		SCALE	1:1	SHEET
ANGLES ± 3'			4	OF 4
MATERIAL			REV	A
FINISH				