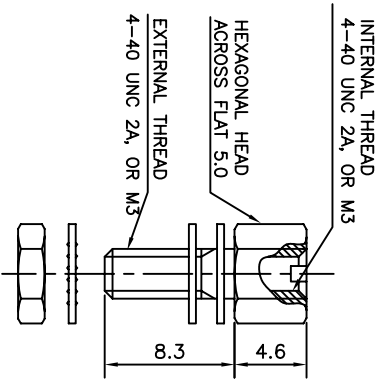


8630-015	17 Max	1.40 ^{3s}	4.0 Max
8630-08	14.5 Max	1.40 ^{3s}	3.4 Max
8630-05	14.5 Max	1.10 ^{3s}	4.0 Max
8630-04	14.5 Max	1.70 ^{3s}	4.0 Max
8630-03	17.0 Max	1.1 ^{3s}	4.0 Max
PART NO:	A	B	C
	DIMENSIONS		

MATERIAL
CLAMP: STEEL
SCREW: STEEL

- NOTE:
- PART NO. INDICATED ARE PLATED REFERS TO SCREW WITH M3 THREAD AS STANDARD VERSION. FOR 4-40 UNC 2A THREAD PLEASE ADD SUFFIX 'N' TO THE CORRESPONDING PART NO.
 - ADD LF SUFFIX FOR LEADFREE PARTNUMBERS

FEMALE SCREW LOCK



8630-01LF	ASSEMBLED FEMALE SCREW LOCK WITH M3 INT & EXT THREAD
8630-01ALF	ASSEMBLED FEMALE SCREW LOCK WITH M3 EXT & UNC INT THREAD
8630-01BLF	ASSEMBLED FEMALE SCREW LOCK WITH UNC INT & EXT THREAD
8630-01CLF	ASSEMBLED FEMALE SCREW LOCK WITH UNC EXT & M3 INT THREAD
PART NO:	DESCRIPTION

MATERIAL
FEMALE SCREW: BRASS
NUT: STEEL
WASHERS: STEEL

GENERAL NOTE:
PLATING
FOR NON LF : ZINC HEXAVALENT CHROMATE
FOR LF : ZINC TRIVALENT CHROMATE

LF PART NOS FOR ROHS PRODUCTS
This LF product meets European Union Directives and other country regulations as described in GS-22-008
Packaging as per GS-14-920

mat'l. code	surface ISO 1302	tolerance ISO 408 ISO 1101	projection	product family	D-SUB
ltr ecn no	date	tolerances unless otherwise specified		title	MALE AND FEMALE SCREW LOCK
B 806-0074	MDT 2006/06/06	on/angles	MM	dwg no	C-DSUB-0124
C 106-0191	AMR 2009/09/16	lin/cr		sheet 1 of 1	size A4
D 106-0292	AMR 2009/12/29	0°±1°	scale -	Product Customer	Drawing
E 111-0082	AMR 2011/01/26	dr			
F 125-011004	AK 2012/05/23	len/gr			
		chr			
		oppd			
sheet revision	Y				
index	sheet 1				

